



1730FA Series Cabinet Shower - Front Access



1730-FA-3

Fixture May Show Some Available Options

Please visit www.acorneng.com for most current specifications.

Cabinet Shower - Front Access

Cabinet Shower is factory piped, tested, and arranged to be installed on finished wall and serviced from the fixture side. Panel is located on post of cabinet for access to the shower head. Cabinet is fabricated from heavy gage type 304 stainless steel. Construction is seamless welded. Exposed sides of the exterior and the interior, except the shower floor, are polished to a satin finish. Shower floor has a slip resistant, matte surface. Underside of shower floor has heavy stainless steel reinforcing, and is sound-deadened with fire-resistant material. Cabinet is provided with -TA Threshold Anchors for mounting cabinet to floor. Unit does not include vent grille.

Shower Floor has stainless steel reinforcing. Waste outlet fitting provided is an Inside Caulk type. Fitting includes a removable strainer to allow for 2" IPS connection.

Valve is an Air-Control pneumatically operated, pushbutton valve using atmospheric air. Pushbutton is vandal-resistant and requires less than 5 pounds to activate valve. Valve is metering type with non-hold open feature. Timing is adjustable from 5 to 60 seconds. Valve includes a 2.5 GPM flow control and can be remotely located up to 10 feet from the operating pushbutton. Valve is intended for mounting above the fixture where it may be concealed with an optional closure strip.

Shower Head and pushbutton escutcheon are chrome plated brass. The Acorn shower head furnished is installed on the inside of the entry with concealed piping to top of cabinet.

GUIDE SPECIFICATION

Provide and install Acorn Cabinet Shower - Front Access (specify model number and options). Shower Cabinet shall be unitized one piece, fabricated from heavy gage type 304 stainless steel. All seams shall be continuously welded. Panels shall have flush vandal-resistant screws. Exposed surfaces shall be polished to a satin finish, except the shower floor, which shall have a slip resistant, matte surface. Shower head shall be mounted on inside of door jamb. Valve shall be Air-Control metering type. A towel hook shall be welded on the outside of the entry. Provide Threshold Anchors for mounting cabinet to floor. Shower Cabinet shall be installed in accordance with manufacturer's recommendations.



Penal-Ware® : 1730FA Cabinet Shower - Front Access

SHOWER HEAD LOCATION (Must Specify)

Left Hand Column Right Hand Column

POLISHED EXTERIOR WALLS (Must Specify)

Left Right Back

WALL THICKNESS AND TYPE (Must Specify)

Thickness _____ Type: Concrete Block Steel

MODEL NUMBER AND OPTIONS SELECTION

BASE MODEL NUMBER

- 1730-FA 30" x 30" Cabinet Shower - Front Access
- 1732-FA 32" x 32" Cabinet Shower - Front Access
- 1736-FA 36" x 36" Cabinet Shower - Front Access

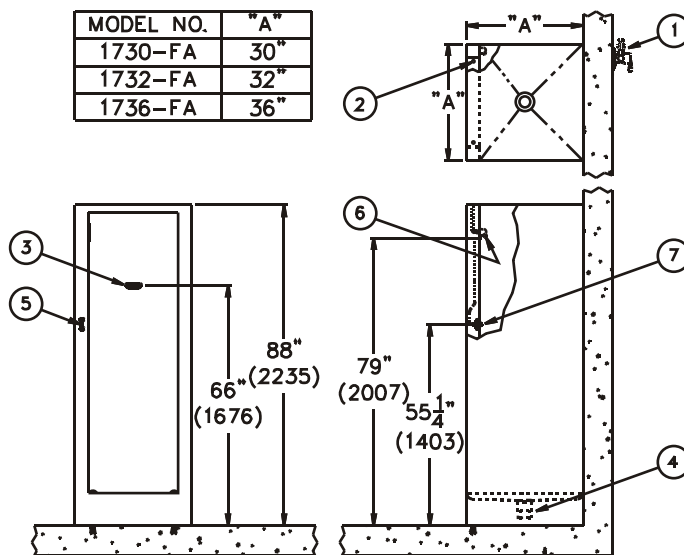
VALVE SELECTION (Must Specify)

- 3 Air-Control, Single Temperature
- 4 Air-Control, H & C
- 9 Punched for Valve by Others (Specify Punching)
- EVS1 Electronic Valve System - Single Temp
- EVS2 Electronic Valve System - Hot & Cold
- MVC1 Time-Trol - Single Temp
- MVC2 Time-Trol - Hot & Cold

Product Options

- CHV Closure Horizontal ___-TF
- CHV Closure Vertical ___-L ___-R ___-C ___-AL ___-AR
- EG Enviro-Glaze, Specify Color: _____
- F Flow Control 2.0 GPM
- FG 14 Gage Cabinet
- HAC Closure Horizontal Angled ___-AL ___-AR ___-TSW
- KD Knock-Down Cabinet
- MD Modesty Door ___ Hinged Left ___ Hinged Right
- PBH Hemispherical Pushbutton
- RD Recessed Soap Dish - Back Wall Only
- SR Shower Receptor
- STC Sloping Top Closure

Please visit www.acorneng.com for most current specifications.



1730-FA-3

NOTES:

- 1. Optional -3 Air-Control Valve.
- 2. -TA Threshold Anchors.
- 3. Surface Mounted Soap Dish.
- 4. -IC Inside Caulk Drain.
- 5. Towel Hook.
- 6. Penal Shower Head.
- 7. Penal Pushbutton.

<p><small>Important: Installation instructions and current rough-in are furnished with each fixture. Do not rough in without certified dimensions. Dimensions are subject to manufacturer's tolerance of plus or minus 1/4" and change without notice. Acorn assumes no responsibility for use of void or superseded data. © Copyright 2003 Acorn Engineering Company</small></p>	
<p style="text-align: center;">Selection Summary</p> <p>Model No. & Option _____</p> <p>Quantity _____</p>	<p style="text-align: center;">Approved for Manufacturing</p> <p>Company _____ Title _____</p> <p>Signature _____ Date _____</p>