



1749 Series

Shower Floor for Built-In Installation



1749-R

Fixture May Show Some Available Options

Please visit www.acorneng.com for most current specifications.

Shower Floor for Built-In Installation

Shower Floor is fabricated from 14 gage, type 304 stainless steel and is unitized seamless welded construction. Exposed areas are polished to a satin finish, except the shower floor, which has a slip resistant surface with matte finish. Shower floor has an integral drain, and an integral tiling flange, which forms a permanent water barrier. Underside of shower floor has heavy stainless steel reinforcing, and is sound-deadened with fire-resistant material. Elbow waste connection is 2-3/8" O.D. plain end.

GUIDE SPECIFICATION

Provide and install Acorn Penal-Ware Shower Floor (specify model number). Shower Floor shall be fabricated from 14 gage, type 304 stainless steel and shall be unitized seamless welded construction. Exposed areas shall be polished to a satin finish, except shower floor, which has a slip resistant surface with matte finish. Shower floor shall have an integral drain. Underside of shower floor shall have welded stainless steel bracing. Waste connection shall be 2-3/8" O.D. plain end.



Penal-Ware®: 1749 Shower Floor for Built-In Installation

WALL THICKNESS AND TYPE (Must Specify)

Thickness _____ Type: ___ Concrete ___ Block ___ Steel

Product Options

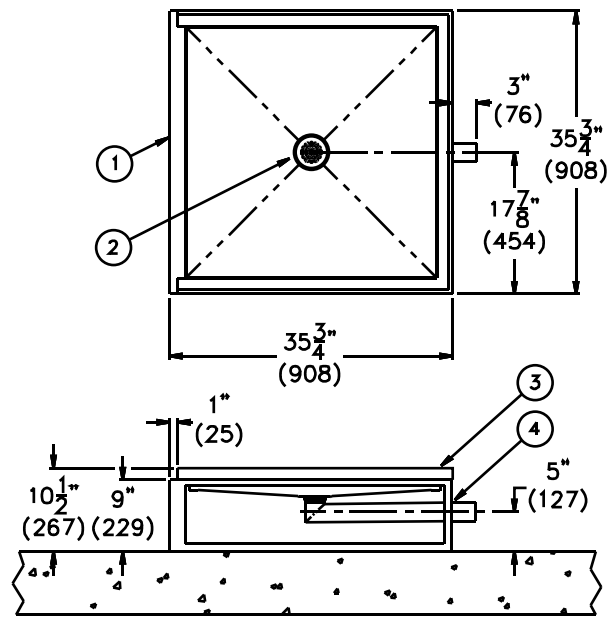
- IC Inside Caulk Waste
- PT P-Trap Waste
- SR Shower Receptor

MODEL NUMBER AND OPTIONS SELECTION

BASE MODEL NUMBER

- 1749-B Shower Base For Back Wall Chase
- 1749-L Shower Base For Left Wall Chase
- 1749-R Shower Base For Right Wall Chase

Please visit www.acorneng.com for most current specifications.



- NOTES:**
- 1. Shower Floor Threshold.
 - 2. Integral Drain.
 - 3. Integral Tiling Flange.
 - 4. Elbow Waste Connection.

<p>Important: Installation instructions and current rough-in are furnished with each fixture. Do not rough in without certified dimensions. Dimensions are subject to manufacturer's tolerance of plus or minus 1/4" and change without notice. Acorn assumes no responsibility for use of void or superseded data. © Copyright 2003 Acorn Engineering Company</p>	
<p style="text-align: center;">Selection Summary</p> <p>Model No. & Option _____</p> <p>Quantity _____</p>	<p style="text-align: center;">Approved for Manufacturing</p> <p>Company _____ Title _____</p> <p>Signature _____ Date _____</p>