



1817 Series
Integral Frame Mirror



1817

Fixture May Show Some Available Options

Please visit www.acorneng.com for most current specifications.

Integral Frame Mirror

The Acorn Integral Frame Mirror is designed for use in all security areas where Mirrors are subject to breakage. Mirror and integral frame are die formed from a single sheet of high quality, type 400, stainless steel polished to a mirror finish.

Frame has countersunk holes and is furnished with tamper-resistant screws.



Penal-Ware®: 1817 Integral Frame Mirror

MODEL NUMBER AND OPTIONS SELECTION

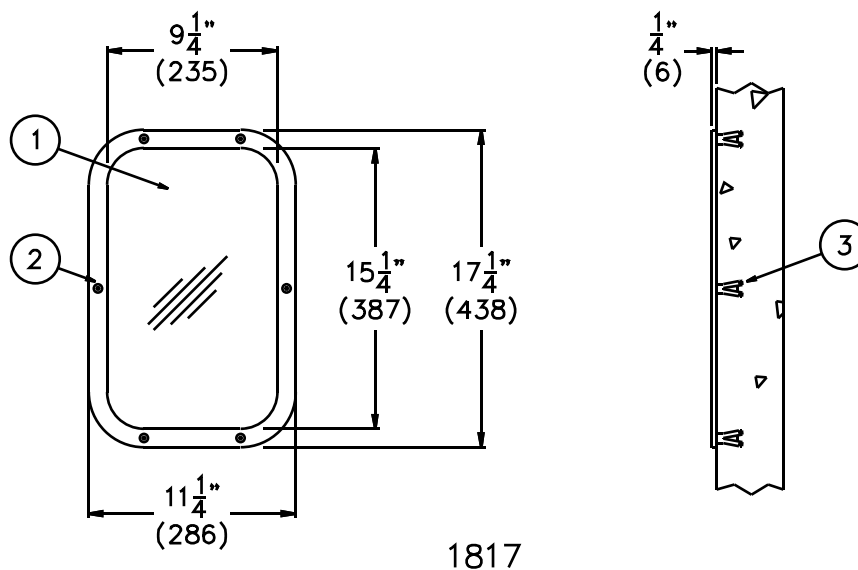
Product Options

BASE MODEL NUMBER

-* None Available

-1817 Integral Frame Mirror

Please visit www.acorneng.com for most current specifications.



- NOTES:
 1. Stainless Steel Mirror.
 2. Tamper Resistant Screws.
 3. Wall Mounting Anchors (By Others).

<p>Important: Installation instructions and current rough-in are furnished with each fixture. Do not rough in without certified dimensions. Dimensions are subject to manufacturer's tolerance of plus or minus 1/4" and change without notice. Acorn assumes no responsibility for use of void or superseded data. © Copyright 2003 Acorn Engineering Company</p>	
<p>Selection Summary</p> <p>Model No. & Option _____</p> <p>Quantity _____</p>	<p>Approved for Manufacturing</p> <p>Company _____ Title _____</p> <p>Signature _____ Date _____</p>