



1840 Series

Recessed Paper Holder



1840



1840-FA

Fixture May Show Some Available Options

Please visit www.acorneng.com for most current specifications.

Recessed Paper Holder

The Acorn Recessed Paper Holder is die formed from type 304 stainless steel with exposed surfaces polished to a satin finish. Paper Holder is arranged to be installed on finished wall from an accessible pipe chase. Optional Wall Sleeve is recommended for all installations for required wall openings.

Wide flange is turned back and trimmed to provide a uniform flat surface, assuring a tight fit on the wall. Paper Holder is perfectly suited for security areas for the following reasons:

1. The heavy 14 gage stainless steel construction makes it virtually indestructible.
2. It can be installed in a location which prevents the paper from being accidentally contaminated when the toilet bowl is used as a urinal.
3. Paper Holder is purposely made 5" in diameter and 4-1/2" deep to match a standard roll of toilet paper. Should contraband be hidden in the holder, it will cause the roll to project, making detection simple.

Models for wall thickness up to 4-3/4" thick are furnished with a heavy coated steel bolted back plate. The back plate has two 1/2" adjusting studs which, when turned clockwise, pull the rim snugly to the wall, permanently anchoring the assembly.

Models for thicker walls are similar except that the back plate is furnished with 1/4" full thread studs and nuts which permanently anchor the assembly.

If Paper Holder is mounted on the back wall of toilet, recommended installation is approximately 18" above toilet seat, 12" off of toilet centerline.

Suffix Option -FA Front Access Models have 4 countersunk holes to accept mounting screws. Anchor shields by others.



Penal-Ware®: 1840 Recessed Paper Holder

WALL THICKNESS AND TYPE (Must Specify)

Thickness _____ Type: __ Concrete __ Block __ Steel

Product Options

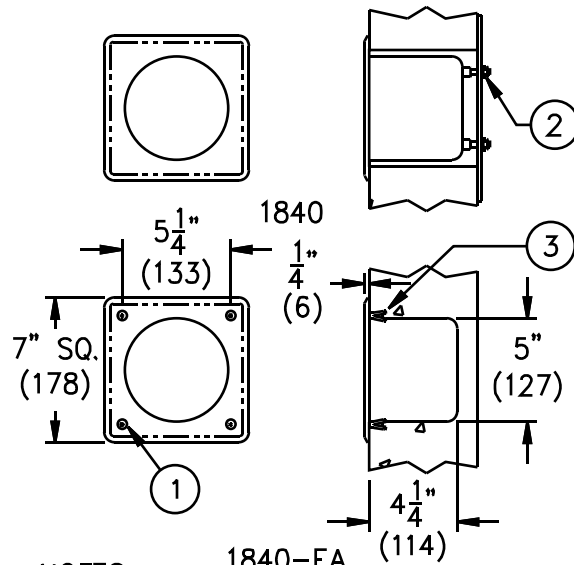
- FA Front Access Fixture
- SW Wall Sleeve

MODEL NUMBER AND OPTIONS SELECTION

BASE MODEL NUMBER

- 1840 Recessed Paper Holder

Please visit www.acorneng.com for most current specifications.



NOTES:

1. Tamper Resistant Screws.
2. Wall Mounting Hardware.
3. Wall Mounting Anchors (By Others).

<p>Important: Installation instructions and current rough-in are furnished with each fixture. Do not rough in without certified dimensions. Dimensions are subject to manufacturer's tolerance of plus or minus 1/4" and change without notice. Acorn assumes no responsibility for use of void or superseded data. © Copyright 2003 Acorn Engineering Company</p>	
<p style="text-align: center;">Selection Summary</p> <p>Model No. & Option _____</p> <p>Quantity _____</p>	<p style="text-align: center;">Approved for Manufacturing</p> <p>Company _____ Title _____</p> <p>Signature _____ Date _____</p>