



3334 Series

Blowout Jet Toilet - On Floor Replacement



3335-W-2

Fixture May Show Some Available Options

Please visit www.acorneng.com for most current specifications.

Blowout Jet Toilet - On Floor Replacement

Blowout Jet Toilet is available for Front Mounting or Rear Mounting on a finished wall. Fixture is designed to replace a variety of existing toilets, including but not limited to the following manufacturers model numbers:

ALUMINUM PLUMBING FIXTURE CORP. (Super Secur): Smithson A-100, Smithson A-117.

AMERICAN STANDARD: Neolo 2529, Neolo 2530, Corbo 2516.

CRANE: Sanwalton 3-480, Sanwalton 3-481.

ELJER: Newark 111-0505, Newark 111-0515.

KOHLER: Anglesey K-4486-ET, Anglesey K-4498-ER.

Fixtures are fabricated from 14 gage, type 304 stainless steel and are seamless welded construction. Wall flange is structurally reinforced. Exterior is satin finish, except for integral contoured toilet seat, which has a sanitary high polish finish. The inside of the toilet bowl has a matte finish. There are no accessible voids or crevices where contraband can be concealed.

Toilet is blowout jet type with elongated bowl manufactured to ANSI 112.19.2M requirements and requires a minimum of 35 PSI flow pressure. Toilet uses a water consumption of 1.6 gallons per flush or less. Trap has a minimum 3-1/2" seal and will pass a 2-1/8" ball. Toilet waste outlet is Gasketed Waste.

GUIDE SPECIFICATION

Provide and install Acorn Replace-Ware Blowout Jet Toilet (specify model number and options). Fixture shall be fabricated from 14 gage, type 304 stainless steel. Construction shall be seamless welded and exposed surfaces shall have a satin finish. Toilet shall be concealed blowout jet type with elongated bowl, a self-draining flushing rim and an integral contoured seat with a sanitary high polish finish. Toilet shall meet ANSI 112.19.2M requirements, using an average water consumption of 1.6 gallons per flush or less. Toilet trap shall have a minimum 3-1/2" seal that shall pass a 2-1/8" diameter ball and be fully enclosed. No fasteners are provided.



Replace-Ware®: 3334 Blowout Jet Toilet - On Floor Replacement

WALL THICKNESS AND TYPE (Must Specify)
 Thickness _____ Type: ___ Concrete ___ Block ___ Steel

MODEL NUMBER AND OPTIONS SELECTION

BASE MODEL NUMBER

- 3334 Toilet - Rear Mounted - Replacement
- 3335 Toilet - Front Mounted - Replacement

SUPPLY (Must Specify)

- T Top (Exposed)
- W Wall (Concealed)

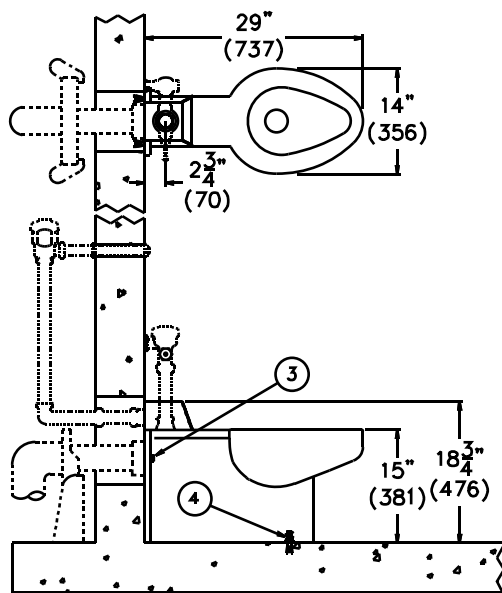
FIXTURE MOUNTING AND WASTE (Must Specify)

- 2 On-Floor, Wall Outlet

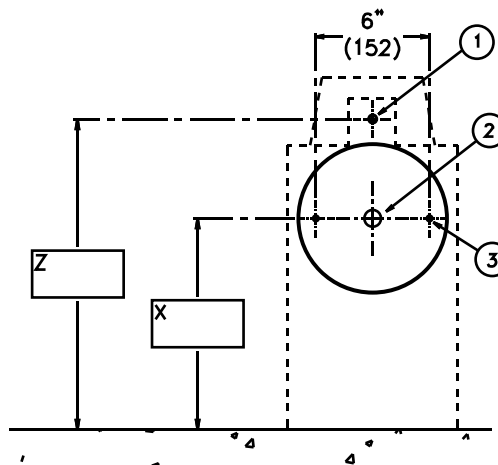
Product Options
 (See Penal-Ware® Model Numbers & Options Section)

- 3395 Anchoring Assembly
- ADA ADA Compliant - 18" Integral Seat Height
- EG Enviro-Glaze, Specify Color: _____
- FT Flood-Trol (Rear Mount Models)
- FTA Flood-Trol (Rear Mount Models)
- FV Flush Valve ___1.6 GPF___3.5 GPF
- FVC Flush Valve Cover (w/Flush Valve)
 ___1.6 GPF___3.5 GPF
- FVT Flush Valve Thru Wall Connector
- HS Hinged Seat
- PH Paper Holder (Available Only with -FVC)
- SPS Suicide Prevention Skirt
- WO3 3" OD Toilet Waste Outlet (3.5 GPF Only)

Please visit www.acorneng.com for most current specifications.



3335-T/W-2



Rough-In View

NOTES:

1. Flushing Inlet.
2. Toilet Waste Outlet.
3. Two Mounting Points for Existing Rough-In.
4. Floor Fasteners.

<p>Important: Installation instructions and current rough-in are furnished with each fixture. Do not rough in without certified dimensions. Dimensions are subject to manufacturer's tolerance of plus or minus 1/4" and change without notice. Acorn assumes no responsibility for use of void or superseded data. © Copyright 2003 Acorn Engineering Company</p>	
<p style="text-align: center;">Selection Summary</p> <p>Model No. & Option _____</p> <p>Quantity _____</p>	<p style="text-align: center;">Approved for Manufacturing</p> <p>Company _____ Title _____</p> <p>Signature _____ Date _____</p>