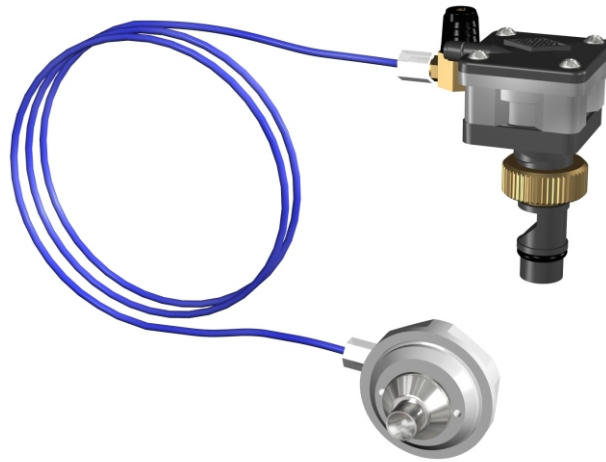




3386 Series

Retro-Air Valve Assembly - Replacement



3386-RAA

Fixture May Show Some Available Options

Please visit www.acorneng.com for most current specifications.

Retro-Air Valve Assembly - Replacement

Retro-Air Valve Assembly is designed to replace existing metering or non-metering cartridges within existing Acorn Penal-Trol (manufactured since 1978), Metcraft Tempus II and Willoughby Temp 1/Temp 2 valves to pneumatic operation. The Retro-Air Valve Assembly package consists of the Retro-Air servomotor cartridge, a push button assembly (or adapter) and polyethylene 1/8" tubing to connect the push button to the Retro-Air servomotor cartridge, which replaces existing push buttons and push rod hardware. Available for both single temperature and hot and cold installations, the metering Retro-Air will solve the maintenance associated with traditional mechanical style metering cartridges.

Retro-Air replacement cartridges are available in both metering non-hold open and non-metering direct acting styles.

Regularly furnished items include hot and cold or single temperature indexed pushbutton assemblies with escutcheons, Retro-Air replacement cartridge assembly with integral Air-Control servomotor and 5 feet of 1/8" polyethylene tubing. Metcraft and Willoughby valve replacement assembly adapts to existing pushbutton assemblies.

GUIDE SPECIFICATION

Provide and install Acorn Retro-Air cartridge assembly to replace existing Acorn Penal-Trol Metcraft Tempus II or Willoughby Temp 1/Temp 2 valve cartridges. Assembly shall include Retro-Air cartridge(s), pushbutton assembly(s) as required and tubing for complete replacement.



Replace-Ware®: 3386 Retro-Air Valve Assembly - Replacement

WALL THICKNESS AND TYPE (Must Specify)

Thickness _____ Type: ___ Concrete ___ Block ___ Steel

Product Options

(See Penal-Ware® Model Numbers & Options Section)

- M Metering
- MH Metering Hot Side Only

MODEL NUMBER AND OPTIONS SELECTION

BASE MODEL NUMBER

- 3386 Retro-Air Valve Assembly - Single Temp
- 3387 Retro-Air Valve Assembly - Hot & Cold

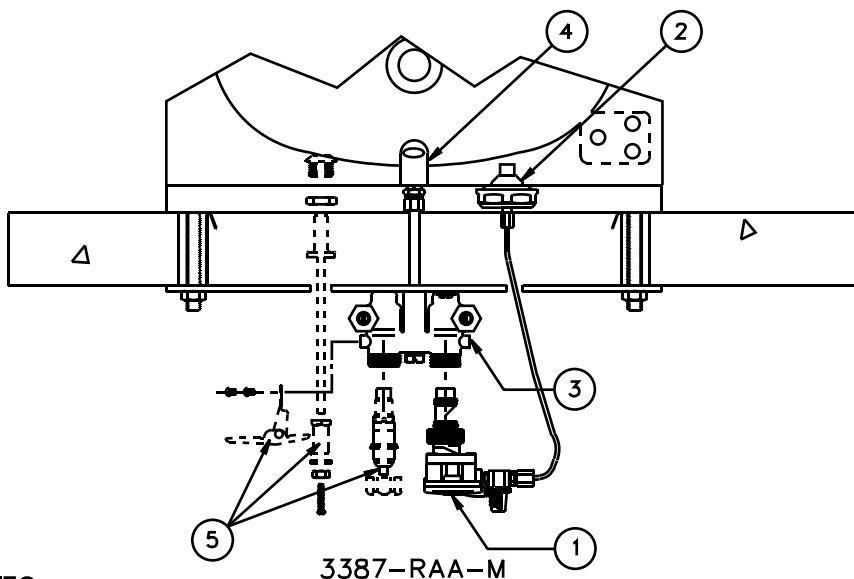
REPLACEMENT VALVE DESCRIPTION (Must Specify)

Manufacturer Valve Assembly

- RAA Acorn Penal-Trol
(1978 to Present - 1-1/8" diameter escutcheon)
- RAA1 Acorn Penal-Trol
(Prior to 1978 - Oval escutcheon)
- RAM Metcraft Tempus II*
- RAW Willoughby Temp 1/Temp 2*

* These names are trade names used by Metcraft and/or Willoughby.

Please visit www.acorneng.com for most current specifications.



NOTES:

1. Retro-Air Cartridge Assembly.
2. Retro-Air Pushbutton.
3. Existing Valve Assembly.
4. Existing Bubbler.
5. Existing Components For Removal.

<p>Important: Installation instructions and current rough-in are furnished with each fixture. Do not rough in without certified dimensions. Dimensions are subject to manufacturer's tolerance of plus or minus 1/4" and change without notice. Acorn assumes no responsibility for use of void or superseded data. © Copyright 2003 Acorn Engineering Company</p>	
<p style="text-align: center;">Selection Summary</p> <p>Model No. & Option _____</p> <p>Quantity _____</p>	<p style="text-align: center;">Approved for Manufacturing</p> <p>Company _____ Title _____</p> <p>Signature _____ Date _____</p>