



Shower-Ware® 110 Series

Acme Type 1 Wall Showers



112-W-RD

Fixture May Show Some Available Options

Please visit www.acorneng.com for most current specifications.

Acme Type 1 Wall Showers

Housing is heavy gage, type 304 stainless steel with satin finish. Shower modules are no more than 10 feet long for ease of maneuvering through corridors and doors. Cage nuts permitting plus or minus 1" horizontal adjustment are provided in housing. Room layout drawings are provided from the factory with each project for customer approval.

Supply Piping is "L" copper tubing and bronze or wrought copper fittings. Shower head riser and valve supply inlet piping may differ. Supply stub out is sized to provide adequate water to each head simultaneously. Piping is hydrostatically tested at 150 PSI.

Control Valve type is indicated by selected Acme model number. All valves have replaceable cartridges which contain all wearing parts and are serviced from the face of the shower for easy maintenance. Valve is tamper-resistant with an easy to close mechanism and low leverage handle to protect the operating parts from excessive torque.

Shower Heads are solid brass, triple chrome-plated and include built-in 2.5 GPM flow restrictor. The Acorn Logan Wizard Shower Head design provides self-cleaning with every use, and has an adjustable spray pattern from a coarse stream to a fine mist.

End Caps and connecting components are heavy gage stainless steel. Each component is pre-punched to accept tamper-resistant fasteners.

Fasteners. Acorn furnishes all exposed tamper-resistant fasteners necessary to complete the on-site shower assembly; however, concealed wall fasteners or anchor shields are not furnished.

GUIDE SPECIFICATION

Provide and install Acorn Acme Wall Mounted Showers (specify model number and options). Housing and end caps shall be 16 gage, type 304 stainless steel with satin finish. Shower heads shall be Acorn Logan Wizard with adjustable spray from a coarse stream to a fine mist. Showers shall be pre-piped and hydrostatically factory tested at 150 PSI. Shower equipment shall be provided with the following optional equipment: (example -G Individual Stops). Installation shall be made in accordance with manufacturer's recommendations and details.



Shower-Ware®: 110 Acme Type 1 Wall Showers

Shower Head Discharge Height (Not Part of Model Number)

6'-0" 5'-6" 5'-0" Other (Specify) _____

MODEL NUMBER AND OPTIONS SELECTION SERIES (Must Specify)

-1 - Acme

TYPE (Must Specify)

-1 - Wall Showers

VALVE (Must Specify)

- 0 - Electronic Valves, Single-Temp Metering
- 1 - Flo-Cloz, H & C
- 2 - Safti-Trol, H & C Pressure Balancing
- 3 - Safti-Therm, H & C Temperature Balancing
- 4 - Single-Trol, H & C Mixing
- 5 - Flo-Cloz, Single Temperature
- 6 - Air-Control, Single Temperature Metering
- 7 - Meter-Matic, Single Temperature Metering
- 9 - Without Valves (Remote Control)

ELECTRONIC VALVE SELECTION

(Refer to Valves Section for Submittal Data)

- EVS1 Electronic Valve System - Single Temp
- MVC1 Time-Trol - Single Temp

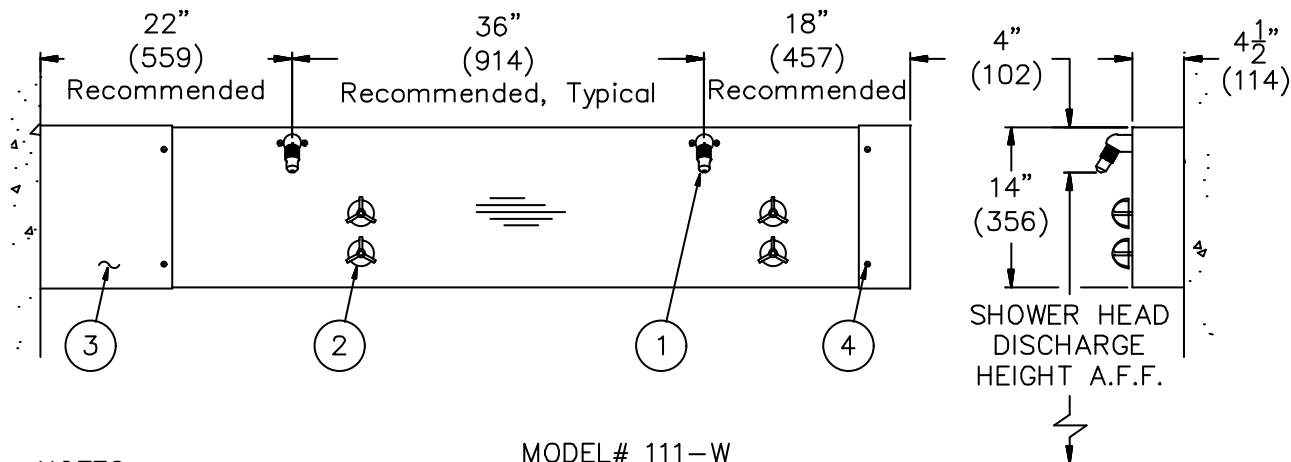
SUPPLY (Must Specify)

- T Top
- W Wall

Product Options

- BAT Battery Operated (-MVC1)
- BS Built-in Liquid Soap System
- CI Cycle Interrupt
- CSH Conical Showerhead
- D Soap Dish
- EG Enviro-Glaze Color, Specify _____
- F Flow Control 2.0 GPM
- FG 14 Gage Material Construction
- FX Hand Shower With 60" Stainless Steel Hose
- G Individual Stops
- GG Unit Shutoff Valve
- GX Individual Check stops
- H Hand Volume Control
- K Allen Key Volume Control
- LVR Lever Handle (-2, -4 and -5 Valves Only)
- MS Modular Privacy Compartments
(See Diana Privacy Tab)
- MSH Multi-Stream Shower Head
- MV Metering Valve in Riser (Air-Control)
- P Penal Shower Head
- PBH Hemispherical Pushbutton
- PO Piston-Operated Safti-Trol Valve
- RD Recessed Soap Dish
- SC Supply Cover, Ceiling Height _____
- SLPB 30 degree Sloping Housing Bottom
- SLPT 30 degree Sloping Housing Top
- TF Transformer
- WS Without Showerhead
- Y Universal Ball Joint
- YY Lockable Universal Ball Joint
- Z Up-Down Ball Joint
- ZZ Lockable Up-Down Ball Joint

Please visit www.acorneng.com for most current specifications.



MODEL# 111-W

NOTES:

- 1. Shower Head.
- 2. Control Valve.
- 3. Stainless Steel Overlay.
- 4. Tamper Resistant Fasteners.

Important: Installation instructions and current rough-in are furnished with each fixture. Do not rough in without certified dimensions. Dimensions are subject to manufacturer's tolerance of plus or minus 1/4" and change without notice. Acorn assumes no responsibility for use of void or superseded data. © Copyright 2006 Acorn Engineering Company	
<p style="text-align: center;">Selection Summary</p> <p>Model No. & Option _____</p> <p>Quantity _____</p>	<p style="text-align: center;">Approved for Manufacturing</p> <p>Company _____ Title _____</p> <p>Signature _____ Date _____</p>