



Shower-Ware® 110ADA Series

Acme Type 1, Wall Mounted Showers - ADA Compliant



112-W-ADA-RD

Fixture May Show Some Available Options

Please visit www.acorneng.com for most current specifications.

Acme Type 1, Wall Mounted Showers - ADA Compliant

Shower. A vertical housing extension is provided to house the valve assembly and recessed soap dish at the appropriate ADA compliant height. Fixture is provided with an ADA compliant control valve with lever-handle or pushbutton, a hand shower with a vacuum breaker and flow control, a lever-handle diverter valve, a recessed soap dish, a two-wall stainless steel grab bar and a 1103 series padded vinyl folding seat. Unit conforms with ANSI, UFAS and ADA requirements for accessibility. Compliance is subject to the interpretation and requirements of the local code authority.

Housing is heavy gage, type 304 stainless steel with satin finish.

Supply Piping is "L" copper tubing and bronze or wrought copper fittings. Shower head riser and valve supply inlet piping may differ. Piping is hydrostatically tested at 150 PSI.

Reach. All controls, soap dish, etc., must be 38" to 48" from the finished floor to be within reach of a seated bather with limited arm movement.

Shower Head. A shower head on a five foot stainless steel hose (hand shower) is provided for seated bathers. A conventional shower head is also provided.

Valves. Disabled bathers should be provided with protection against sudden hot or cold "shock". Pressure balancing valves such as our Safti-Trol are often required and are strongly recommended. Indicate valve by selection of appropriate Shower-Ware® figure numbers.

Seat and Privacy Compartments. Disabled bathers understandably should be given privacy while bathing. In addition, there is the requirement to provide a seat opposite the controls. This suggests constructing an alcove, partial wall or providing a reinforced privacy panel for mounting the seat (suffix option -RP).

GUIDE SPECIFICATION

Provide and install an Acorn Acme ADA Compliant Wall Mounted Shower (specify model number and options). Vertical housing shall be fabricated from heavy gage, type 304 stainless steel and shall have a satin finish. Exposed trim shall be chrome-plated brass. Fixture shall be furnished with an ADA compliant control valve with lever-handle or pushbutton, a hand shower with vacuum breaker and flow control, a lever-handle diverter valve, a recessed soap dish, a two-wall stainless steel grab bar and a padded vinyl folding seat. Units to conform with ANSI, UFAS and ADA requirements for accessibility.



Shower-Ware®: 110ADA Acme Type, 1 Wall Mounted Showers - ADA Compliant

Shower Head Discharge Height (Not Part of Model Number)

___ 6'-0" ___ 5'-6" ___ 5'-0"

MODEL NUMBER AND OPTIONS SELECTION

SERIES (Must Specify)

-1 - Acme

TYPE (Must Specify)

-1 - Wall Showers

VALVE SELECTION (Must Specify)

- 0-ADA Electronic Valves, Single Temp. Metering
- 2-ADA Safti-Trol, H & C Pressure Balancing
- 3-ADA Safti-Therm, H & C Temperature Balancing
- 4-ADA Single-Trol, H & C Mixing
- 5-ADA Flo-Cloz, Single Temperature
- 6-ADA Air-Control, Single Temperature Metering
- 9-ADA Without Valves (Remote Control)

Valve Orientation (Must Specify) ___ Left ___ Right

ELECTRONIC VALVE SELECTION

(Refer to Valves Section for Submittal Data)

- EVS1 Electronic Valve System - Single Temp
- MVC1 Time-Trol - Single Temp

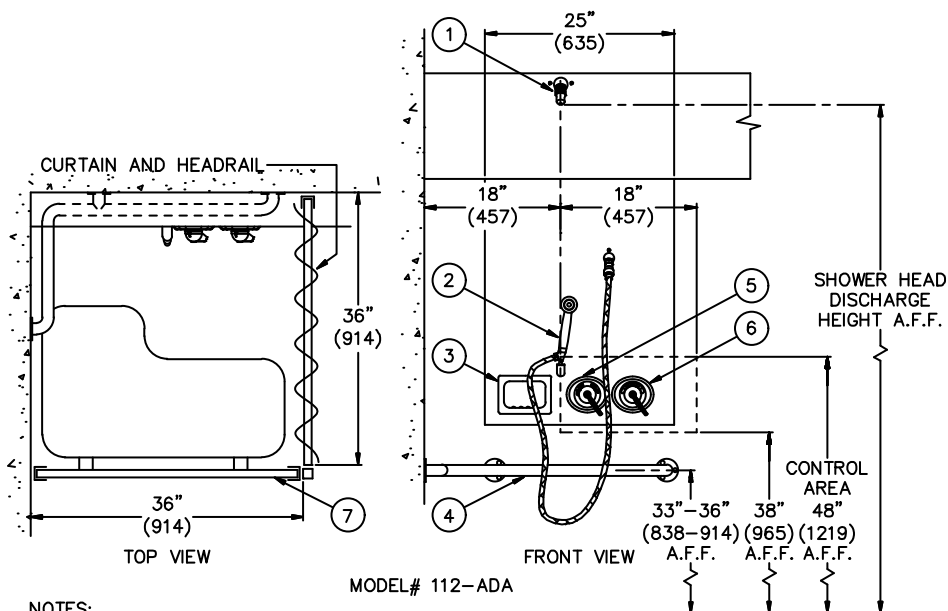
SUPPLY (Must Specify)

- T Top
- W Wall

Product Options

- BAT Battery Operated (-MVC1)
- BS Built-in Soap (Non-ADA Dispenser)
- CH Curtain with Headrail - 36" Opening
- CI Cycle Interrupt
- CSH Conical Showerhead
- EG Enviro-Glaze Color, Specify _____
- F Flow Control 2.0 GPM
- FG 14 Gage Material Construction
- FH Fixed Head at 48" in Lieu of Hand Shower
- FSS Stainless Steel Folding Seat in Lieu of Padded
- G Individual Stops
- GG Unit Shutoff Valve
- GX Individual Check stops
- LFS Less Padded Folding Seat
- LGB Less Grab Bar
- LRD Less Recessed - Soap Dish
- MS Modular Privacy Compartments (See Diana Privacy Tab)
- PO Piston-Operated Safti-Trol Valve
- QD Quick Disconnect for Hand Shower
- RP Reinforced Panel for Folding Seat with Curtain
- SB 24" Slide Bar (Panel Mounted)
- SLPB 30 Degree Sloping Housing Bottom
- SLPT 30 Degree Sloping Housing Top
- TF Transformer
- WS Without Showerhead
- Y Universal Ball Joint
- YY Lockable Universal Ball Joint
- Z Up-Down Ball Joint
- ZZ Lockable Up-Down Ball Joint

Please visit www.acorneng.com for most current specifications.



NOTES:

1. Fixed Upper Shower Head.
2. Handshower with 60" hose.
3. Recessed Soap Dish.
4. Two Wall Grab Bar.
5. Diverter Valve with lever handle.
6. Control Valve.
7. Optional -RP Reinforced Panel for folding seat.

<p>Important: Installation instructions and current rough-in are furnished with each fixture. Do not rough in without certified dimensions. Dimensions are subject to manufacturer's tolerance of plus or minus 1/4" and change without notice. Acorn assumes no responsibility for use of void or superseded data. © Copyright 2006 Acorn Engineering Company</p>	
<p style="text-align: center;">Selection Summary</p> <p>Model No. & Option _____</p> <p>Quantity _____</p>	<p style="text-align: center;">Approved for Manufacturing</p> <p>Company _____ Title _____</p> <p>Signature _____ Date _____</p>