



Shower-Ware® 2925 Series

Surface-Mounted Gravity Soap Tanks



2925-5

Fixture May Show Some Available Options

Please visit www.acorneng.com for most current specifications.

Surface-Mounted Stainless Steel Remote Gravity Soap Tanks

Tanks are fabricated of 22 gage, type 304 stainless steel. Piano hinged top lid is fabricated of 16 gage, type 304 stainless steel. All exposed surfaces are polished to a satin finish.

Top Lid has a piano hinge welded to tank with an allen key latch.

Tank Outlet is 3/8" NPT female adapter for piping by others.

Twin Soapsite Gages are designed to indicate soap level.

Regularly Furnished items include soap tank with top hinged lid, allen key lid latch, 3/8" NPT female tank outlet, twin soapsite gages, wall anchoring brackets and 1-1/4" long phillips screws.

GUIDE SPECIFICATION

Provide and install Acorn Surface-Mounted Stainless Steel Remote Gravity Soap Tank (specify model number). Tank shall be 22 gage, and top hinged lid shall be 16 gage, type 304 stainless steel with satin finish. Top lid to have allen key latch. Tank outlet to be 3/8" NPT female for piping by others. Tank to include two twin soapsite gages to indicate soap level. Tank to be provided with wall anchoring brackets and phillips screws.

Shower-Ware®: 2925 Surface-Mounted Stainless Steel Remote Gravity Soap Tanks



MODEL NUMBER AND OPTIONS SELECTION

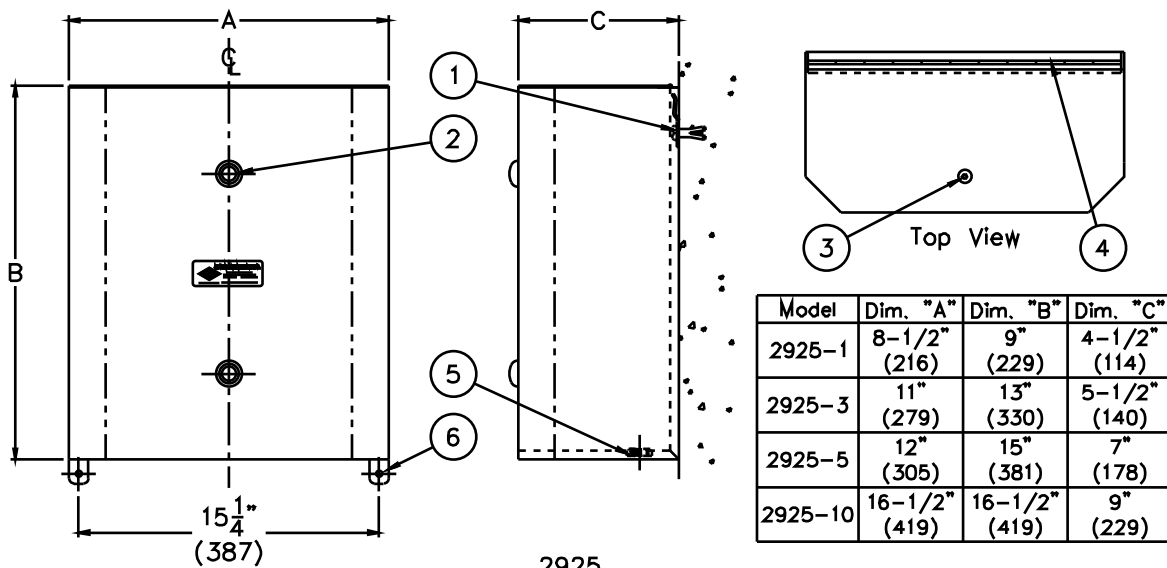
Product Options

- * None Available

BASE MODEL NUMBER

- 2925-1 One Gallon Surface-Mounted Soap Tank
- 2925-3 Three Gallon Surface-Mounted Soap Tank
- 2925-5 Five Gallon Surface-Mounded Soap Tank
- 2925-10 Ten Gallon Surface-Mounted Soap Tank

Please visit www.acorneng.com for most current specifications.



NOTES:

- 1. Mounting Bracket.
- 2. Twin Soapsite Gages.
- 3. Allen Key Latch.
- 4. Continuous Piano Hinge.
- 5. 3/8" NPT Female Outlet.
- 6. Lower Mounting Lugs, 10 gallon size ONLY.

<p>Important: Installation instructions and current rough-in are furnished with each fixture. Do not rough in without certified dimensions. Dimensions are subject to manufacturer's tolerance of plus or minus 1/4" and change without notice. Acorn assumes no responsibility for use of void or superseded data. © Copyright 2004 Acorn Engineering Company</p>	
<p style="text-align: center;">Selection Summary</p> <p>Model No. & Option _____</p> <p>Quantity _____</p>	<p style="text-align: center;">Approved for Manufacturing</p> <p>Company _____ Title _____</p> <p>Signature _____ Date _____</p>