



## Shower-Ware® 410 Series

Apex Type 1 Flush-Mounted Showers



411-W

Fixture May Show Some Available Options

Please visit [www.acorneng.com](http://www.acorneng.com) for most current specifications.

### Apex Type 1 Flush-Mounted Showers

**Shower Panel** is 14 gage, type 304 stainless steel with satin finish.

**Control Valve** type is indicated by selected Apex model number. Valves with removable cartridges contain all wearing parts and are serviced from the face of the shower for easy maintenance. Valves are tamper resistant and may include an easy to close mechanisms and low leverage handle to protect the operating parts from excessive torque. Valves have flexible hose supply connectors.

**Shower Head** is solid brass, triple chrome-plated and include built-in 2.5 GPM flow restrictor. The Acorn Logan Wizard Shower Head design provides self-cleaning with every use, and has an adjustable spray pattern from a coarse stream to a fine mist.

**Mounting Frame** with plaster flange is mounted in wall and intended to be positioned so that the shower panel fits flush against the finished wall.

**Fasteners** necessary to complete the on-site shower assembly are tamper resistant and provided by Acorn, however, concealed wall fasteners or anchor shields are not furnished.

#### GUIDE SPECIFICATION

Provide and install Acorn Apex Flush-Mounted Showers (specify model number and options). Shower panel shall be 14 gage, type 304 stainless steel with satin finish. Valve shall have flexible hose supply connectors. Shower head shall be Acorn Logan Wizard with adjustable spray from a coarse stream to a fine mist. Shower shall be provided with the following optional equipment: (example -G Individual Stops). Installation shall be made in accordance with manufacturer's recommendations and details.



# Shower-Ware®: 410 Apex Type 1 Flush-Mounted Showers

## MODEL NUMBER AND OPTIONS SELECTION

### SERIES (Must Specify)

- 4 - Apex

### TYPE (Must Specify)

- 1 - Flush-Mounted Showers

### VALVE (Must Specify)

- 0 - Electronic Valves, Single-Temp Metering
- 1 - Flo-Cloz, H & C
- 2 - Safti-Trol, H & C Pressure Balancing
- 3 - Safti-Therm, H & C Temperature Balancing
- 4 - Single-Trol, H & C Mixing
- 5 - Flo-Cloz, Single Temperature
- 6 - Air-Control, Single Temperature Metering
- 7 - Meter-Matic, Single Temperature Metering
- 9 - Without Valves (Remote Control)

### ELECTRONIC VALVE SELECTION

(Refer to Valves Section for Submittal Data)

- EVS1 Electronic Valve System - Single Temp
- MVC1 Time-Trol - Single Temp

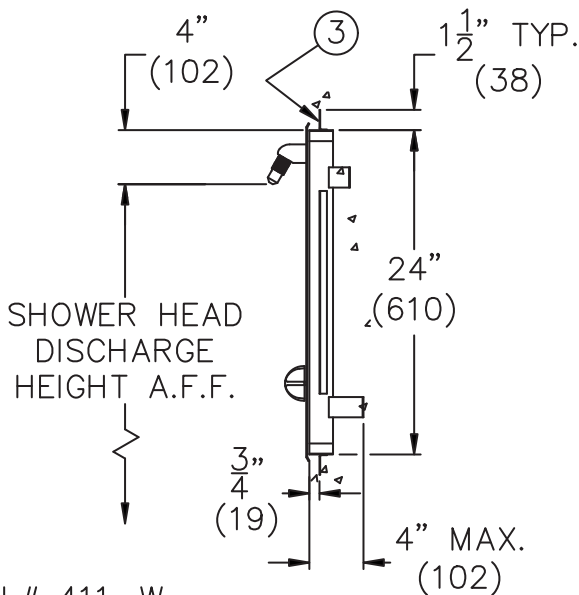
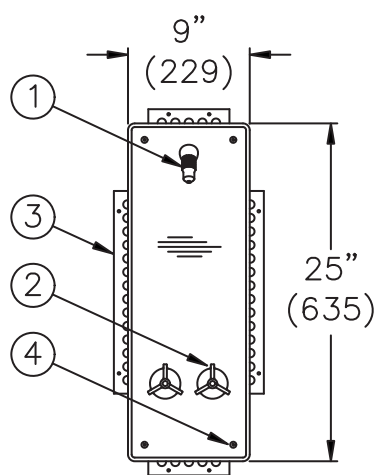
### SUPPLY (Must Specify)

- W Wall

### Product Options

- BAT Battery Operated (-MVC1)
- BS Built-in Liquid Soap System
- CI Cycle Interrupt
- CSH Conical Showerhead
- D Soap Dish
- EG Enviro-Glaze Color, Specify \_\_\_\_\_
- F Flow Control 2.0 GPM
- FX Hand Shower With 60" Stainless Steel Hose
- G Individual Stops
- GX Individual Check stops
- H Hand Volume Control
- K Allen Key Volume Control
- LVR Lever Handle (-2, -4 and -5 Valves Only)
- MS Modular Privacy Compartments (See Diana Privacy Tab)
- MSH Multi-Stream Shower Head
- MV Metering Valve in Riser (Air-Control)
- P Penal Shower Head
- PBH Hemispherical Pushbutton
- PO Piston-Operated Safti-Trol Valve
- RD Recessed Soap Dish
- SB 24" Slide Bar (For -FX Hand Shower)
- TF Transformer
- WS Without Showerhead
- Y Universal Ball Joint
- YY Lockable Universal Ball Joint
- Z Up-Down Ball Joint
- ZZ Lockable Up-Down Ball Joint

Please visit [www.acorneng.com](http://www.acorneng.com) for most current specifications.



MODEL# 411-W

### NOTES:

- 1. Shower Head.
- 2. Control Valve.
- 3. Wall Mounting Frame w/ Plaster Flange.
- 4. Tamper Resistant Fasteners.

<b>Important:</b> Installation instructions and current rough-in are furnished with each fixture. Do not rough in without certified dimensions. Dimensions are subject to manufacturer's tolerance of plus or minus 1/4" and change without notice. Acorn assumes no responsibility for use of void or superseded data. © Copyright 2007 Acorn Engineering Company	
<b>Selection Summary</b> Model No. & Option _____ Quantity _____	<b>Approved for Manufacturing</b> Company _____ Title _____ Signature _____ Date _____