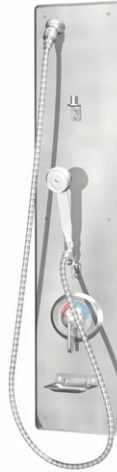




## Shower-Ware® 410ADA-A Series

Apex Type 1, Flush-Mounted Showers - ADA Compliant



412-ADA-A-W

Fixture May Show Some Available Options

Please visit [www.acorneng.com](http://www.acorneng.com) for most current specifications.

### Apex Type 1, Flush-Mounted Showers - ADA Compliant

**Shower** includes an ADA compliant control valve with lever handle or pushbutton, a quick disconnect hand shower with vacuum breaker and flow control, valve supply flexible hose connectors and a surface mounted soap dish. Unit conforms with ANSI, UFAS and ADA requirements for accessibility. Compliance is subject to the interpretation and requirements of the local code authority.

**Shower Panel** is 14 gage, type 304 stainless steel with satin finish.

**Reach.** All controls, soap dish, etc., must be 38" to 48" from the finished floor to be within reach of a seated bather with limited arm movement.

**Shower Head.** A shower head on a five foot hose (hand shower) is provided for seated bathers. Shower face plate has one low mounting bracket and one high mounting bracket for using hand shower as a fixed head in either position.

**Valves.** Disabled bathers should be provided with protection against sudden hot or cold "shock". Pressure balancing valves such as our Safti-Trol® are often required and are strongly recommended. Indicate valve by selection of appropriate Shower-Ware® figure numbers.

**Seat and Privacy Compartments.** Disabled bathers understandably should be given privacy while bathing. In addition, there is the requirement to provide a seat opposite the controls. This suggests constructing an alcove, partial wall or providing a reinforced privacy panel (suffix option -RP) for mounting the optionally available seat.

**Fasteners.** Acorn furnishes all exposed tamper-resistant fasteners necessary to complete the on-site shower assembly; however, concealed wall fasteners or anchor shields are not furnished.

#### GUIDE SPECIFICATION

Provide and install Acorn Apex Flush-Mounted, ADA Compliant Wall Shower with Hi-Lo Mounting Brackets (specify model number and options). Shower panel shall be fabricated from 14 gage, type 304 stainless steel and shall have a satin finish. Exposed trim shall be chrome-plated brass. Fixture shall be furnished with an ADA compliant control valve with lever handle or pushbutton, quick disconnect hand shower with vacuum breaker and flow control, valve supply flexible hose connectors and a surface mounted soap dish. Units to conform with ANSI, UFAS and ADA requirements for accessibility. Shower shall be provided with the following optional equipment: (example -CH Curtain with Headrail - 36" Opening). Installation shall be made in accordance with manufacturer's recommendations and details.

# Shower-Ware®: 410ADA-A Apex Type 1, Flush-Mounted Showers - ADA Compliant



## MODEL NUMBER AND OPTIONS SELECTION

### SERIES (Must Specify)

4 - Apex

### TYPE (Must Specify)

-1 - Flush-Mounted ADA Showers

### VALVE SELECTION (Must Specify)

- 0-ADA-A Electronic Valves, Single Temp. Metering
- 2-ADA-A Safti-Trol, H & C Pressure Balancing
- 3-ADA-A Safti-Therm, H & C Temperature Balancing
- 4-ADA-A Single-Trol, H & C Mixing
- 5-ADA-A Flo-Cloz, Single Temperature
- 6-ADA-A Air-Control, Single Temperature Metering

### ELECTRONIC VALVE SELECTION

#### (Refer to Valves Section for Submittal Data)

- EVS1 Electronic Valve System - Single Temperature
- MVC1 Time-Trol - Single Temperature

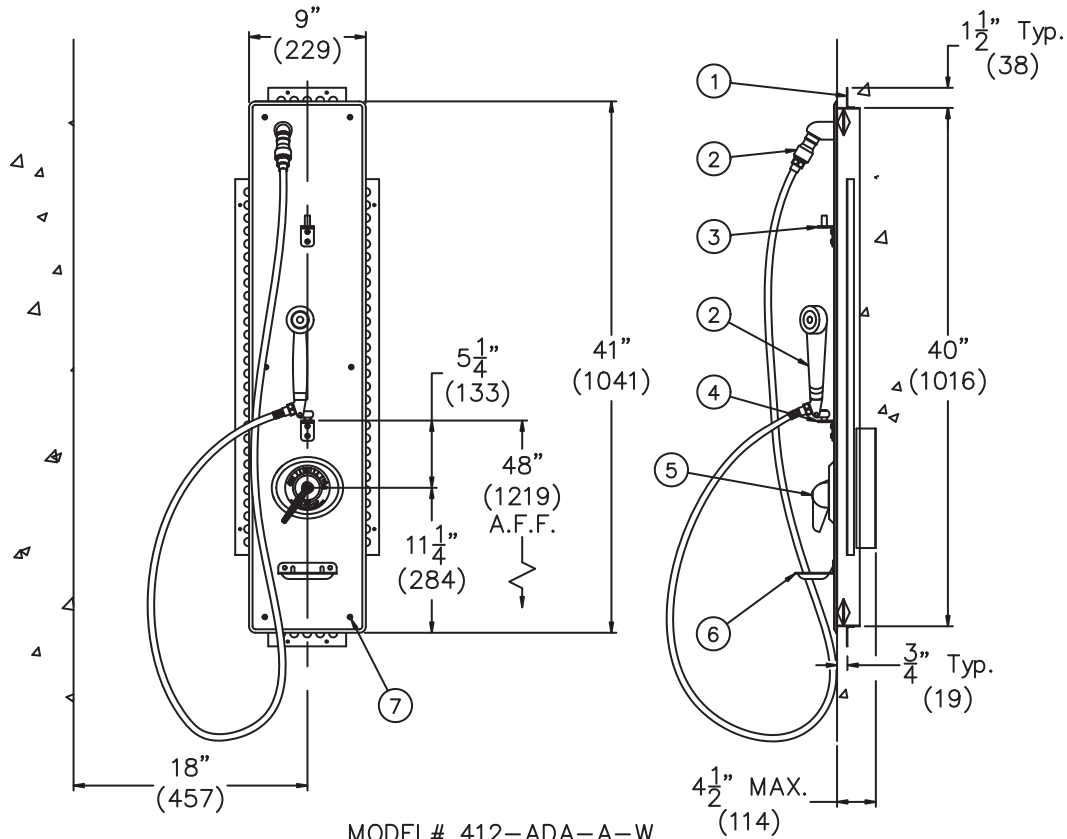
### SUPPLY (Must Specify)

-W Wall

### Product Options

- BAT Battery Operated (-MVC1)
- BS Built-in Liquid Soap System
- CH Curtain with Headrail - 36" Opening
- CI Cycle Interrupt
- EG Enviro-Glaze Color, Specify: \_\_\_\_\_
- FH Fixed Head at 48" in Lieu of Hand Shower
- G Individual Stops
- GX Individual Check Stops
- MS Modular Privacy Compartments (See Diana Privacy Tab)
- PBH Hemispherical Pushbutton
- PO Piston-Operated Safti-Trol Valve
- RD Recessed Soap Dish
- RP Reinforced Panel for Folding Seat with Curtain
- SB 24" Slide Bar (Panel Mounted)
- TF Transformer
- WS Without Showerhead

Please visit [www.acorneng.com](http://www.acorneng.com) for most current specifications.



MODEL# 412-ADA-A-W

#### NOTES:

1. Mounting Frame w/ Plaster Flange.
2. Hand Shower w/QD & 60" Hose.
3. Top Mounting Bracket.
4. ADA Height Mounting Bracket.
5. Control Valve.
6. Soap Dish.
7. Tamper Resistant Fasteners.

<b>Important:</b> Installation instructions and current rough-in are furnished with each fixture. Do not rough in without certified dimensions. Dimensions are subject to manufacturer's tolerance of plus or minus 1/4" and change without notice. Acorn assumes no responsibility for use of void or superseded data. © Copyright 2008 Acorn Engineering Company	
<p style="text-align: center;">Selection Summary</p> <p>Model No. &amp; Option _____</p> <p>Quantity _____</p>	<p style="text-align: center;">Approved for Manufacturing</p> <p>Company _____ Title _____</p> <p>Signature _____ Date _____</p>