



Shower-Ware® 420 Series

Apex Type 2 Corner-Mounted Showers



421-W-D

Fixture May Show Some Available Options

Please visit www.acorneng.com for most current specifications.

Apex Type 2 Corner-Mounted Showers

Housing is heavy gage, type 304 stainless steel with satin finish.

Control Valve type is indicated by selected Apex model number. Valves with removable cartridges contain all wearing parts and are serviced from the face of the shower for easy maintenance. Valves are tamper resistant and may include an easy to close mechanisms and low leverage handle to protect the operating parts from excessive torque. Valves have flexible hose supply connectors.

Shower Head is solid brass, triple chrome-plated and include built-in 2.5 GPM flow restrictor. The Acorn Logan Wizard Shower Head design provides self-cleaning with every use, and has an adjustable spray pattern from a coarse stream to a fine mist.

Frame of shower is mounted in corner and the face plate fits flush against the corner walls.

Fasteners. Acorn furnishes all exposed tamper-resistant fasteners necessary to complete the on-site shower assembly; however, concealed wall fasteners or anchor shields are not furnished.

GUIDE SPECIFICATION

Provide and install Acorn Apex Corner-Mounted Showers (specify model numbers and options). Housing shall be 16 gage, type 304 stainless steel with satin finish. Valve shall have flexible hose supply connectors. Shower head shall be Acorn Logan Wizard with adjustable spray from a coarse stream to a fine mist. Shower shall be provided with the following optional equipment: (example -G Individual Stops). Installation shall be made in accordance with manufacturer's recommendations and details.



Shower-Ware®: 420 Apex Type 2 Corner-Mounted Showers

Shower Head Discharge Height (Not Part of Model Number)

__6'-0"__5'-6"__5'-0"__Other (Specify) _____

MODEL NUMBER AND OPTIONS SELECTION

SERIES (Must Specify)

-4 - Apex

TYPE (Must Specify)

-2 - Corner-Mounted Showers

VALVE (Must Specify)

- 0 - Electronic Valves, Single-Temp Metering
- 1 - Flo-Cloz, H & C
- 2 - Safti-Trol, H & C Pressure Balancing
- 3 - Safti-Therm, H & C Temperature Balancing
- 4 - Single-Trol, H & C Mixing
- 5 - Flo-Cloz, Single Temperature
- 6 - Air-Control, Single Temperature Metering
- 7 - Meter-Matic, Single Temperature Metering
- 9 - Without Valves (Remote Control)

ELECTRONIC VALVE SELECTION

(Refer to Valves Section for Submittal Data)

- EVS1 Electronic Valve System - Single Temp
- MVC1 Time-Trol - Single Temp

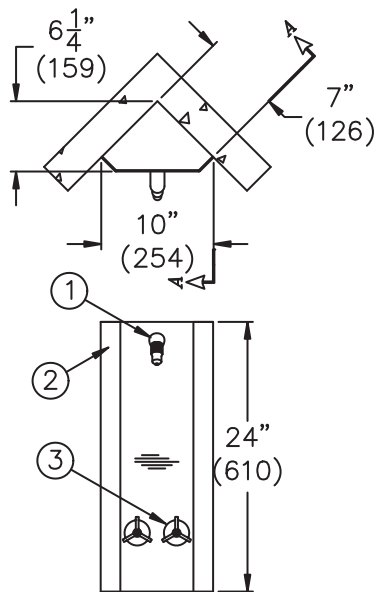
SUPPLY (Must Specify)

- T Top
- W Wall

Product Options

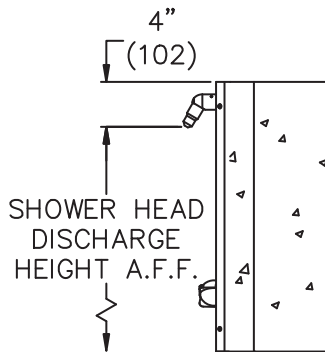
- BAT Battery Operated (-MVC1)
- BS Built-in Liquid Soap System
- CI Cycle Interrupt
- CSH Conical Showerhead
- D Soap Dish
- EG Enviro-Glaze Color, Specify _____
- F Flow Control 2.0 GPM
- FG 14 Gage Material Construction
- FX Hand Shower With 60" Stainless Steel Hose
- G Individual Stops
- GX Individual Check stops
- H Hand Volume Control
- K Allen Key Volume Control
- LVR Lever Handle (-2, -4 and -5 Valves Only)
- MS Modular Privacy Compartments (See Diana Privacy Tab)
- MSH Multi-Stream Shower Head
- MV Metering Valve in Riser (Air-Control)
- P Penal Shower Head
- PBH Hemispherical Pushbutton
- PO Piston-Operated Safti-Trol Valve
- QD Quick Disconnect for Hand Shower
- RD Recessed Soap Dish
- SB 24" Slide Bar (For -FX Hand Shower)
- SC Supply Cover, Ceiling Height _____
- SCH Horizontal Supply Cover
- SLPB Sloping Bottom
- SLPT Sloping Top
- TF Transformer
- WS Without Showerhead
- Y Universal Ball Joint
- YY Lockable Universal Ball Joint
- Z Up-Down Ball Joint
- ZZ Lockable Up-Down Ball Joint

Please visit www.acorneng.com for most current specifications.



NOTES:

1. Shower Head.
2. Tamper Resistant Fasteners.
3. Control Valve.



MODEL# 421-W

<p>Important: Installation instructions and current rough-in are furnished with each fixture. Do not rough in without certified dimensions. Dimensions are subject to manufacturer's tolerance of plus or minus 1/4" and change without notice. Acorn assumes no responsibility for use of void or superseded data. © Copyright 2006 Acorn Engineering Company</p>	
<p>Selection Summary</p> <p>Model No. & Option _____</p> <p>Quantity _____</p>	<p>Approved for Manufacturing</p> <p>Company _____ Title _____</p> <p>Signature _____ Date _____</p>