



Shower-Ware® 420HC Series

Apex Type 2 Corner-Mounted Handicapped Showers - Non ADA Compliant



422-HC-W

Fixture May Show Some Available Options

Please visit www.acorneng.com for most current specifications.

Apex Type 2 Corner-Mounted Handicapped Showers - Non ADA Compliant

-HC Handicapped Shower option includes a lever handle control valve, a flexshower with vacuum breaker, a lever handle diverter valve, a recessed soap dish, and a 24" x 1-1/2" stainless steel grab bar. Unit does not fully conform with ADA requirements.

Housing is heavy gage, type 304 stainless steel with satin finish.

Supply Piping is "L" copper tubing and bronze or wrought copper fittings. Shower head riser and valve supply inlet piping may differ. Supply stub out is sized to provide adequate water to each head simultaneously. Piping is hydrostatically tested at 150 PSI.

Control Valve type is indicated by selected Apex model number. Valves with removable cartridges contain all wearing parts and are serviced from the face of the shower for easy maintenance. Valves are tamper resistant and may include an easy to close mechanisms and low leverage handle to protect the operating parts from excessive torque. Valves have flexible hose supply connectors.

Shower Heads. A shower head on a five foot stainless steel hose (hand shower) is provided for seated bathers. A conventional fixed shower head is also provided at 6'-0" discharge height. Shower head is solid brass, triple chrome-plated and include built-in 2.5 GPM flow restrictor. The Acorn Logan Wizard Shower Head design provides self-cleaning with every use, and has an adjustable spray pattern from a coarse stream to a fine mist.

Fasteners. Acorn furnishes all exposed tamper-resistant fasteners necessary to complete the on-site shower assembly; however, concealed wall fasteners or anchor shields are not furnished.

Reach. All controls, soap dish, etc., must be 48" or less from finished floor to be within reach of a seated bather with limited arm movement.

Valves. Disabled bathers should be provided with protection against sudden hot or cold "shock." Pressure balancing valves such as our "Safti-Trol" are often required and are strongly recommended. Indicate valve by section of appropriate Shower-Ware® figure numbers.

Privacy Compartments. Disabled bathers understandably should be given privacy while bathing. This suggests providing a separate cubicle not in the group shower room.

GUIDE SPECIFICATION

Provide and install Acorn Apex Corner-Mounted Handicapped Shower (specify model numbers and options). Housing shall be 16 gage, type 304 stainless steel with satin finish. Shower shall be factory pre-piped and hydrostatically factory tested to 150 PSI. Fixture shall be furnished with a lever handle control valve, a flexshower with vacuum breaker, a lever handle diverter valve, a recessed soap dish and a 24" x 1-1/2" stainless steel grab bar. Unit does not fully conform with ADA requirements. Installation shall be made in accordance with manufacturer's recommendations and details.



Shower-Ware®: 420HC Apex Type 2 Corner-Mounted Handicapped Showers -Non ADA Compliant

**Shower Head Discharge Height
(Not Part of Model Number)**

___6'-0"___5'-6"___5'-0"___Other (Specify) _____

MODEL NUMBER AND OPTIONS SELECTION

SERIES (Must Specify)

4 - Apex

TYPE (Must Specify)

-2 - Corner-Mounted Handicapped Showers

VALVE (Must Specify)

- 0 - HC - Electronic Valves, Single-Temp Metering
- 1 - HC - Flo-Cloz, H & C
- 2 - HC - Safti-Trol, H & C Pressure Balancing
- 3 - HC - Safti-Therm, H & C Temperature Balancing
- 4 - HC - Single-Trol, H & C Mixing
- 5 - HC - Flo-Cloz, Single Temperature
- 6 - HC - Air-Control, Single Temperature Metering
- 7 - HC - Meter-Matic, Single Temperature Metering
- 9 - HC - Without Valves (Remote Control)

ELECTRONIC VALVE SELECTION

(Refer to Valves Section for Submittal Data)

- EVS1 Electronic Valve System - Single Temp
- MVC1 Time-Trol - Single Temp

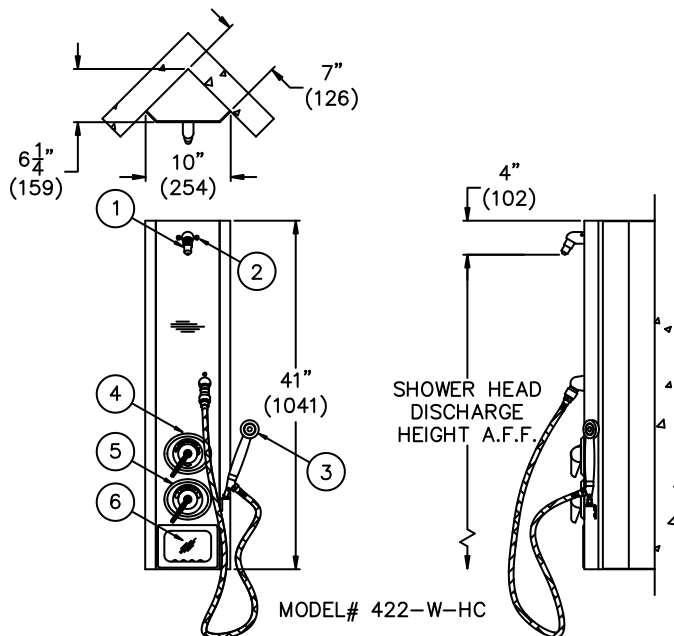
SUPPLY (Must Specify)

- T Top
- W Wall

Product Options

- BAT Battery Operated (-MVC1)
- BS Built-in Liquid Soap System (Non-ADA)
- CH Curtain with Headrail - 36" Opening
- CI Cycle Interrupt
- CSH Conical Showerhead
- D Soap Dish in Lieu of Recessed
- EG Enviro-Glaze Color, Specify _____
- F Flow Control 2.0 GPM
- FG 14 Gage Material Construction
- FH Fixed Head at 48" in Lieu of Hand Shower
- G Individual Stops
- GX Individual Check stops
- H Hand Volume Control
- K Allen Key Volume Control
- LGB Less Grab Bar
- LRD Less Recessed Soap Dish
- MS Modular Privacy Compartments (See Diana Privacy Tab)
- MSH Multi-Stream Shower Head
- P Penal Shower Head
- PBH Hemispherical Pushbutton
- PO Piston-Operated Safti-Trol Valve
- QD Quick Disconnect for Hand Shower
- RP Reinforced Panel
- SB 24" Slide Bar (For -FX Hand Shower)
- SC Supply Cover, Ceiling Height _____
- SCH Horizontal Supply Cover
- SLPB Sloping Bottom
- SLPT Sloping Top
- TF Transformer
- WS Without Showerhead
- Y Universal Ball Joint
- YY Lockable Universal Ball Joint
- Z Up-Down Ball Joint
- ZZ Lockable Up-Down Ball Joint

Please visit www.acorneng.com for most current specifications.



- NOTES:**
1. Fixed Upper Shower Head.
 2. Tamper Resistant Fasteners.
 3. Handshower with 60" hose.
 4. Diverter Valve with Lever Handle.
 5. Control Valve.
 6. Recessed Soap Dish.

<p>Important: Installation instructions and current rough-in are furnished with each fixture. Do not rough in without certified dimensions. Dimensions are subject to manufacturer's tolerance of plus or minus 1/4" and change without notice. Acorn assumes no responsibility for use of void or superseded data. © Copyright 2007 Acorn Engineering Company</p>	
<p style="text-align: center;">Selection Summary</p> <p>Model No. & Option _____</p> <p>Quantity _____</p>	<p style="text-align: center;">Approved for Manufacturing</p> <p>Company _____ Title _____</p> <p>Signature _____ Date _____</p>