



Shower-Ware® 450 Series

Apex Type 5 Surface-Mounted Showers



455-W-D

Fixture May Show Some Available Options

Please visit www.acorneng.com for most current specifications.

Apex Type 5 Surface-Mounted Showers

Housing is heavy gage, type 304 stainless steel with satin finish.

Control Valve type is indicated by selected Apex model number. Valves with removable cartridges contain all wearing parts and are serviced from the face of the shower for easy maintenance. Valves are tamper resistant and may include an easy to close mechanisms and low leverage handle to protect the operating parts from excessive torque. Valves have flexible hose supply connectors.

Shower Head is solid brass, triple chrome-plated and include built-in 2.5 GPM flow restrictor. The Acorn Logan Wizard Shower Head design provides self-cleaning with every use, and has an adjustable spray pattern from a coarse stream to a fine mist.

Fasteners. Acorn furnishes all exposed tamper-resistant fasteners necessary to complete the on-site shower assembly; however, concealed wall fasteners or anchor shields are not furnished.

GUIDE SPECIFICATION

Provide and install Acorn Apex Surface-Mounted Showers (specify model number and options). Housing shall be 16 gage, type 304 stainless steel with satin finish. Valve shall have flexible hose supply connectors. Shower head shall be Acorn Logan Wizard with adjustable spray from a coarse stream to a fine mist. Shower shall be provided with the following optional equipment: (example -G Individual Stops). Installation shall be made in accordance with manufacturer's recommendations and details.



Shower-Ware®: 450 Apex Type 5 Surface-Mounted Showers

Shower Head Discharge Height (Not Part of Model Number)

___6'-0"___5'-6"___5'-0"___Other (Specify) _____

MODEL NUMBER AND OPTIONS SELECTION

SERIES (Must Specify)

-4 - Apex

TYPE (Must Specify)

-5 - Surface-Mounted Showers

VALVE (Must Specify)

- 0 - Electronic Valves, Single-Temp Metering
- 1 - Flo-Cloz, H & C
- 2 - Safti-Trol, H & C Pressure Balancing
- 3 - Safti-Therm, H & C Temperature Balancing
- 4 - Single-Trol, H & C Mixing
- 5 - Flo-Cloz, Single Temperature
- 6 - Air-Control, Single Temperature Metering
- 7 - Meter-Matic, Single Temperature Metering
- 9 - Without Valves (Remote Control)

ELECTRONIC VALVE SELECTION

(Refer to Valves Section for Submittal Data)

- EVS1 Electronic Valve System - Single Temp
- MVC1 Time-Trol - Single Temp

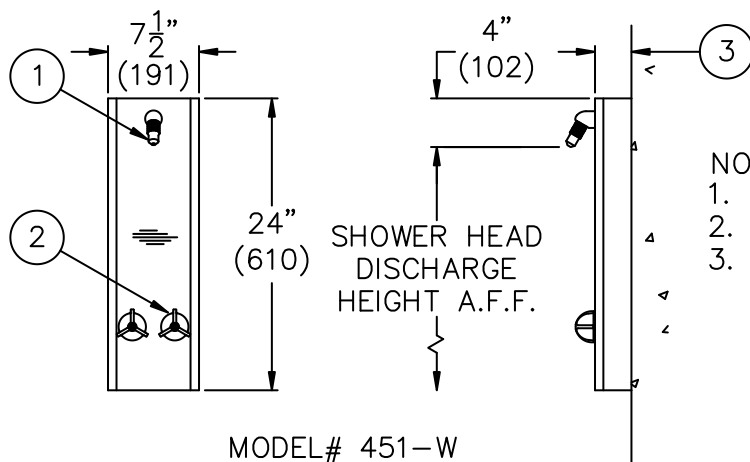
SUPPLY (Must Specify)

- T Top
- W Wall

Product Options

- BAT Battery Operated (-MVC1)
- BS Built-in Liquid Soap System
- CH Curtain with Headrail - 36" Opening
- CI Cycle Interrupt
- CSH Conical Showerhead
- D Soap Dish
- EG Enviro-Glaze Color, Specify _____
- F Flow Control 2.0 GPM
- FG 14 Gage Material Construction
- FX Hand Shower With 60" Stainless Steel Hose
- G Individual Stops
- GX Individual Check stops
- H Hand Volume Control
- K Allen Key Volume Control
- LVR Lever Handle (-2, -4 and -5 Valves Only)
- MS Modular Privacy Compartments
(See Diana Privacy Tab)
- MSH Multi-Stream Shower Head
- MV Metering Valve in Riser (Air-Control)
- P Penal Shower Head
- PBH Hemispherical Pushbutton
- PO Piston-Operated Safti-Trol Valve
- RD Recessed Soap Dish
- RP Reinforced Panel
- SB 24" Slide Bar (For -FX Hand Shower)
- SC Supply Cover, Ceiling Height _____
- SCH Horizontal Supply Cover
____Optional Sloping Top
____Optional Sloping Bottom
- SLPB 30 Degree Sloping Housing Bottom
- SLPT 30 Degree Sloping Housing Top
- TF Transformer
- WS Without Showerhead
- Y Universal Ball Joint
- YY Lockable Universal Ball Joint
- Z Up-Down Ball Joint
- ZZ Lockable Up-Down Ball Joint

Please visit www.acorneng.com
for most current specifications.



NOTES:

1. Shower Head.
2. Control Valve.
3. Standard Is 3"(76) Deep.
Depth For 456 Model Is 4"(102).

Important: Installation instructions and current rough-in are furnished with each fixture. Do not rough in without certified dimensions. Dimensions are subject to manufacturer's tolerance of plus or minus 1/4" and change without notice. Acorn assumes no responsibility for use of void or superseded data. © Copyright 2007 Acorn Engineering Company	
<p style="text-align: center;">Selection Summary</p> <p>Model No. & Option _____</p> <p>Quantity _____</p>	<p style="text-align: center;">Approved for Manufacturing</p> <p>Company _____ Title _____</p> <p>Signature _____ Date _____</p>