



## Shower-Ware® 521 Series

Zenith Exposed Supply Showers



521

Fixture May Show Some Available Options

Please visit [www.acorneng.com](http://www.acorneng.com) for most current specifications.

### Zenith Exposed Supply Showers

**Shower** consists of an exposed control valve and shower head. They are particularly suited for individual applications where piping cannot be concealed within the wall. Zenith Exposed Flo-Cloz Valve and shower head combinations feature the utmost in service desirability.

**Piping.** When an exposed control valve is specified together with a shower head, a 17-1/4" riser from the valve to the shower head and 25-1/4" long supply risers are supplied. Risers are 1/2" chrome-plated brass pipe. When valve or shower head is specified separately, risers are not included.

**Control Valve** is heavy cast bronze and all wearing parts are contained in a replaceable cartridge. Exposed surfaces are either polished stainless steel or triple chrome-plated. All exposed fasteners are tamper-resistant.

**Shower Head** is an Acorn Logan Wizard Shower Head with square mounting flange and is regularly furnished drilled with stainless steel tamper-resistant screws and 2.5 GPM flow restrictor.

### GUIDE SPECIFICATION

Provide and install Acorn Zenith Exposed Supply Shower (specify model number and options). Valve body and shower head shall be solid brass with all exposed parts triple chrome-plated or polished stainless steel. Valve shall be (indicate model number and type of control valve). Shower head shall be provided with a 17-1/4" chrome-plated riser from the valve to the shower head and 25-1/4" long supply risers. Risers shall have 1/2" chrome-plated brass pipe. Shower shall be provided with the following optional equipment: (example -F Flow Control, -G Individual Stops).



# Shower-Ware®: 521 Zenith Exposed Supply Showers

## MODEL NUMBER AND OPTIONS SELECTION

### SERIES (Must Specify)

-5 - Zenith

### SUPPLY (Must Specify)

-2 - Exposed Supply

### VALVE (Must Specify)

-1 - Flo-Cloz, H & C

-5 - Flo-Cloz, Single Temperature

### Product Options

-A Anchor Plate

-D Soap Dish

-F Flow Control 2.0 GPM

-G Individual Stops

-GX Individual Check stops

-H Hand Volume Control

-K Allen Key Volume Control

-MSH Multi-Stream Shower Head

-P Penal Shower Head

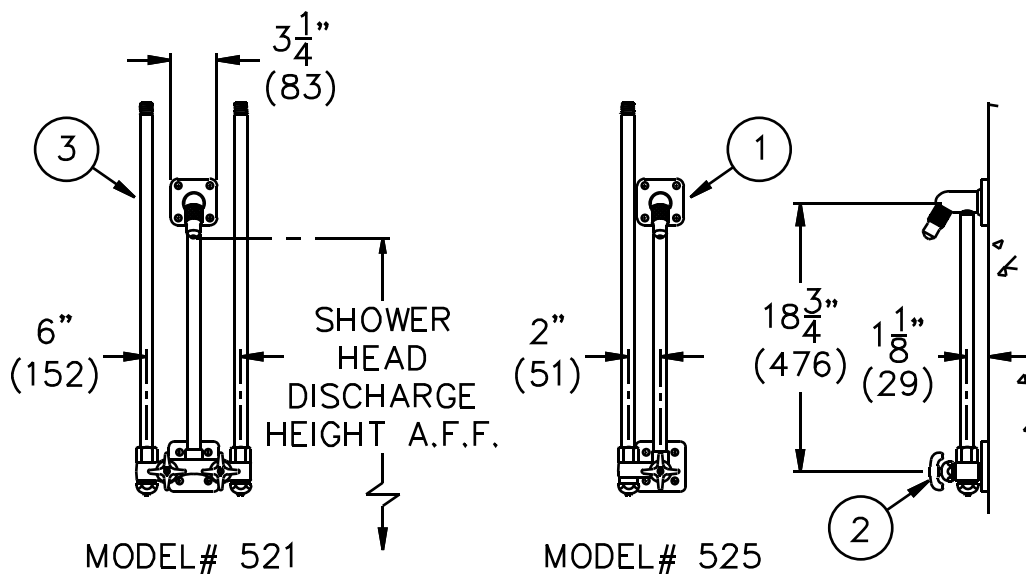
-Y Universal Ball Joint

-YY Lockable Universal Ball Joint

-Z Up-Down Ball Joint

-ZZ Lockable Up-Down Ball Joint

Please visit [www.acorneng.com](http://www.acorneng.com) for most current specifications.



### NOTES:

1. Flanged Shower Head.

3. Supply Riser Pipe.

2. Valve Control Handle.

<p><b>Important:</b> Installation instructions and current rough-in are furnished with each fixture. Do not rough in without certified dimensions. Dimensions are subject to manufacturer's tolerance of plus or minus 1/4" and change without notice. Acorn assumes no responsibility for use of void or superseded data. © Copyright 2004 Acorn Engineering Company</p>	
<p>Selection Summary</p> <p>Model No. &amp; Option _____</p> <p>Quantity _____</p>	<p>Approved for Manufacturing</p> <p>Company _____ Title _____</p> <p>Signature _____ Date _____</p>