



Shower-Ware® 700HC Series

Handicap Capital Column Showers Two to Six Station Models - Non ADA Compliant



742-HC-B11

Fixture May Show Some Available Options

Please visit www.acorneng.com for most current specifications.

Handicap Capital Column Showers Two to Six Station Models - Non ADA Compliant

Column Shower is heavy gage, type 304 stainless steel with satin finish. Column showers are completely pre-piped to the valve, shower head, and optional soap system. All Column Showers are hydrostatically tested to 150 PSI.

Handicap Station is located at Station #1 and includes a lever handle diverter valve for hand shower and fixed upper head. Hand shower includes 60" long stainless steel hose and mounting bracket. Diverter valve is located at 48" above the floor (6'-0" discharge). Handicap station includes welded vertical 24" grab bar. Shower does not conform with ADA Accessibility Guidelines.

Shower Heads are solid brass, triple chrome-plated. The Acorn Logan Wizard Shower Head design provides self-cleaning with every use, and has an adjustable spray pattern from a coarse stream to a fine mist.

Bronze Manifolds and valve bodies are used for long life and maximum corrosion protection in all Column Showers. Fittings for connecting to 3/4" NCT inlets are furnished by others.

Control Valve type is indicated by selected Capital model number. All valves have replaceable cartridges, which contain all wearing parts and are serviced from the face of the shower for easy maintenance. Valve is tamper-resistant with an easy to close mechanism and low leverage handle to protect the operating parts from excessive torque. Control valve at handicap station includes lever handle when applicable. Note: Air-Control and Electronic Valves (-MVC, -EVS) must be located remotely or positioned above unit within -SC Supply Cover. Refer to appropriate factory installation detail for additional information.

Circular Soap Tray is furnished standard, except when Diana compartments are used. Built-in Liquid Soap is optional.

Drain Base is cast iron with a rust preventative coating, and provides a secure mounting for the column. If a separate drain is to be utilized, Acorn drain base may be installed to provide column anchoring only or column may be mounted directly to floor. (Specify unit with suffix option -LD Less Drain Slots.)

Fasteners. Acorn furnishes all exposed tamper-resistant fasteners necessary to complete the on-site shower assembly installation; however, supply cover ceiling fasteners are not furnished.

GUIDE SPECIFICATION

Provide and install Acorn Handicap Capital Column Showers (specify model number and options). Column shall be 16 gage, type 304 stainless steel with satin finish. Column shall be factory pre-piped and hydrostatically tested to 150 PSI. Drain base shall be heavy cast iron with a rust preventative coating. Provide handicap station complete with diverter valve, fixed upper head, handshower and vertical grab bar. Shower head discharge height shall be (specify). Shower shall be provided with the following optional equipment: (example -GG Unit Shutoff Valve). Installation shall be made in accordance with manufacturer's recommendations and details.

Shower-Ware®: 700HC Handicap Capital Column Showers Two to Six Station Models - Non ADA Compliant



Shower Head Discharge Height
(Not Part of Model Number)
__6'-0"__5'-6"__5'-0"__Other (Specify) _____

MODEL NUMBER AND OPTIONS SELECTION

SERIES (Must Specify)

-7 - Handicap Capital

NUMBER OF STATIONS (Must Specify)

__ 2 __ 3 __ 4 __ 5 __ 6

VALVE (Must Specify)

- 0 - HC - Electronic Valves, Single Temp. Metering
- 2 - HC - Safti-Trol, H & C Pressure Balancing
- 4 - HC - Single-Trol, H & C Mixing
- 5 - HC - Flo-Cloz, Single Temperature
- 6 - HC - Air-Control, Single Temperature Metering

ELECTRONIC VALVE SELECTION

(Refer to Valves Section for Submittal Data)

- EVS1 Electronic Valve System - Single Temp
- MVC1 Time-Trol - Single Temp

SUPPLY AND DRAIN TYPE

(See Model Numbers and Options)

Top Supply:

- LDT Less Drain, Build Top Supply
- T11 T15 T21 T25

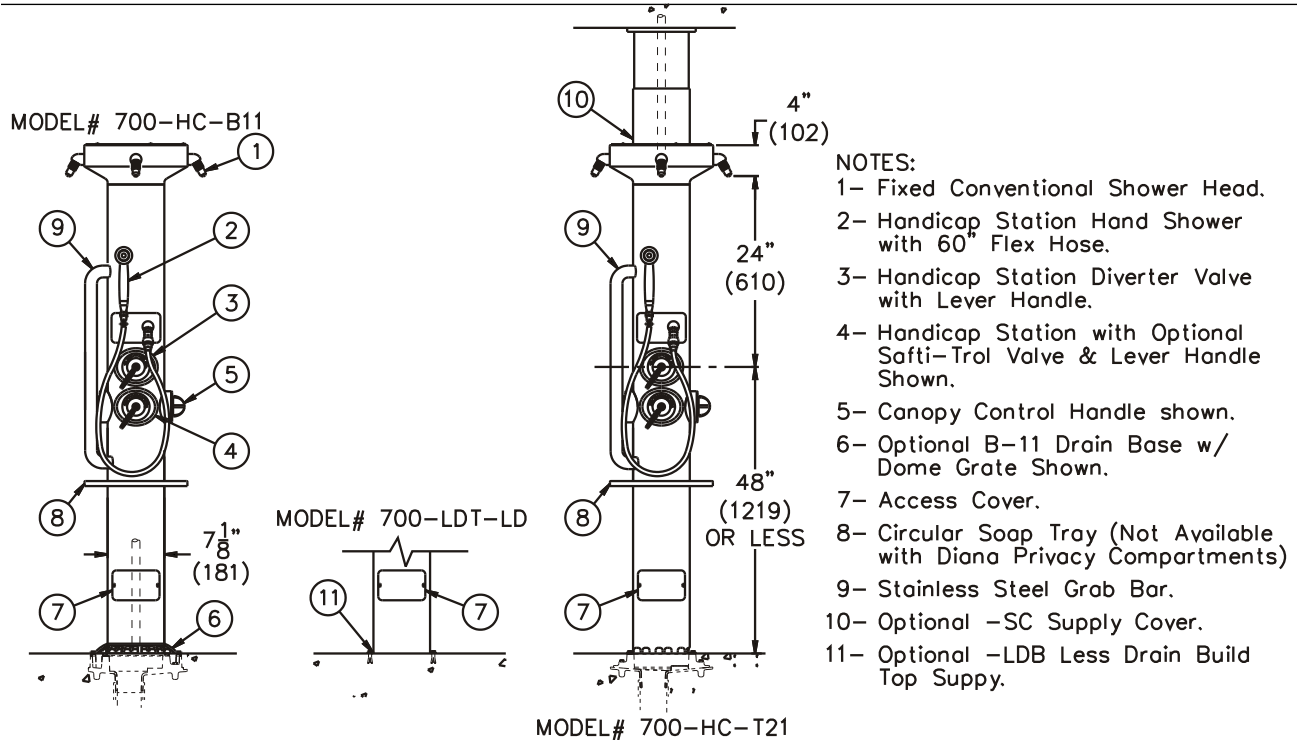
Bottom Supply:

- LDB Less Drain, Build Bottom Supply
- B11 B15 B21 B25

Product Options

- BAT Battery Operated (-MVC1)
- BDA Bradley Drain Adapter
- BS Built-in Liquid Soap System
- CA Ceiling Anchor Plate for Supply Cover
- CF Adjustable Column Flange
- DS Diana Circular Privacy Compartments (See Diana Privacy Submittal #600DS)
- EG Enviro-Glaze Color, Specify _____
- F Flow Control 2.0 GPM
- GG Unit Shutoff Valve
- H Hand Volume Control
- IC 3" Inside Caulk Waste
- K Allen Key Volume Control
- LD Less Drain Slots (-LDB, -LDT, B21, T21)
- LGB Less Grab Bar
- MS Modular Privacy Compartments (See Diana Privacy Submittal #600MS)
- MSH Multi-Stream Shower Head
- P Penal Shower Head
- PO Piston-Operated Safti-Trol Valve
- SC Supply Cover, Ceiling Height _____
- TC Thermostatic Controller (Not available with B15, B25 drain)
- VC Valve Cover (Air-Control/Electronic Valves - Bottom Supply)
- Y Universal Ball Joint
- YY Lockable Universal Ball Joint
- Z Up-Down Ball Joint
- ZZ Lockable Up-Down Ball Joint

Please visit www.acorneng.com for most current specifications.



- NOTES:
- 1- Fixed Conventional Shower Head.
 - 2- Handicap Station Hand Shower with 60" Flex Hose.
 - 3- Handicap Station Diverter Valve with Lever Handle.
 - 4- Handicap Station with Optional Safti-Trol Valve & Lever Handle Shown.
 - 5- Canopy Control Handle shown.
 - 6- Optional B-11 Drain Base w/ Dome Grate Shown.
 - 7- Access Cover.
 - 8- Circular Soap Tray (Not Available with Diana Privacy Compartments)
 - 9- Stainless Steel Grab Bar.
 - 10- Optional -SC Supply Cover.
 - 11- Optional -LDB Less Drain Build Top Supply.

Important: Installation instructions and current rough-in are furnished with each fixture. Do not rough in without certified dimensions. Dimensions are subject to manufacturer's tolerance of plus or minus 1/4" and change without notice. Acorn assumes no responsibility for use of void or superseded data. © Copyright 2006 Acorn Engineering Company	
<p style="text-align: center;">Selection Summary</p> Model No. & Option _____ Quantity _____	<p style="text-align: center;">Approved for Manufacturing</p> Company _____ Title _____ Signature _____ Date _____