



Terrazzo-Ware™ Mop Sink - Reduced Height Series



TRH-242410

Fixture May Show Some Available Options

Please visit www.acorneng.com for most current specifications.

Terrazzo Reduced Height Mop Sink

ACORN Terrazzo-Ware™ precast mop sinks provide flexibility in configuration and size as required by the design of the building and the specific installation. Mop sinks are attractive, durable fixtures designed to be easy to install and maintain. Fixtures are available in 10" and 6" heights in a variety of square and rectangular sizes. A 6" high neo-corner configuration is optionally available.

Construction is one piece, precast terrazzo composed of marble chips cast in Portland cement to provide a compressive strength of at least 3,000 PSI seven days after casting. The mop sink surface is ground smooth and sealed to provide years of service.

Integral Drain is supplied with a removable, stainless steel grid strainer and provides for an inside caulked connection to a 3" pipe. The mop sink has coved corners and is pitched to the drain outlet to provide positive drainage. A beehive dome strainer is optionally available.

Shoulders are designed pitched toward the inside without caps exposing the natural terrazzo finish. Stainless steel or vinyl bumper guard accessories are available to provide protection.

Accessories to complement and complete the installation of the mop sink include:

- chrome finish faucets
- 36" hose to reduce splashing with wall hanger to support the hose
- mop hanger for easy storage of the mop over the sink
- rubber drain gaskets for easy installation of the fixture
- stainless steel wall guards to protect sensitive walls from splashing water
- tiling flanges for simple, flexible field installation
- stainless steel or vinyl bumper guards

GUIDE SPECIFICATION

Provide and install an **ACORN Reduced Height Mop Sink** (specify model number and options). Mop Sink shall be made of precast terrazzo to produce a compressive strength of at least 3,000 PSI seven days after casting. All exposed surfaces shall be ground smooth and sealed. No air holes or pits shall be allowed on the finished surface. Sink shall have coved corners and be pitched to the drain outlet for positive drainage. Integral drain shall have a stainless steel strainer and provide for an inside caulked connection to a 3" pipe. The manufacturer will provide to the installer the necessary installation instructions.

Terrazzo-Ware™: Mop Sink-Reduced Height Series



BASE MODEL, SIZE & TYPE (must specify)

- TRH- 242410** 24" x 24" x 10" Square Terrazzo Reduced Height Mop Sink
- TRH- 362410** 36" x 24" x 10" Rectangular Terrazzo Reduced Height Mop Sink
- TRH- 242406** 24" x 24" x 6" Square Terrazzo Reduced Height Mop Sink
- TRH- 303006** 30" x 30" x 6" Square Terrazzo Reduced Height Mop Sink
- TRH- 323206** 32" x 32" x 6" Square Terrazzo Reduced Height Mop Sink
- TRH- 363606** 36" x 36" x 6" Square Terrazzo Reduced Height Mop Sink
- TRH- 362406** 36" x 24" x 6" Rectangular Terrazzo Reduced Height Mop Sink
- TRH- 363206** 36" x 24" x 6" Rectangular Terrazzo Reduced Height Mop Sin

SUFFIX OPTIONS

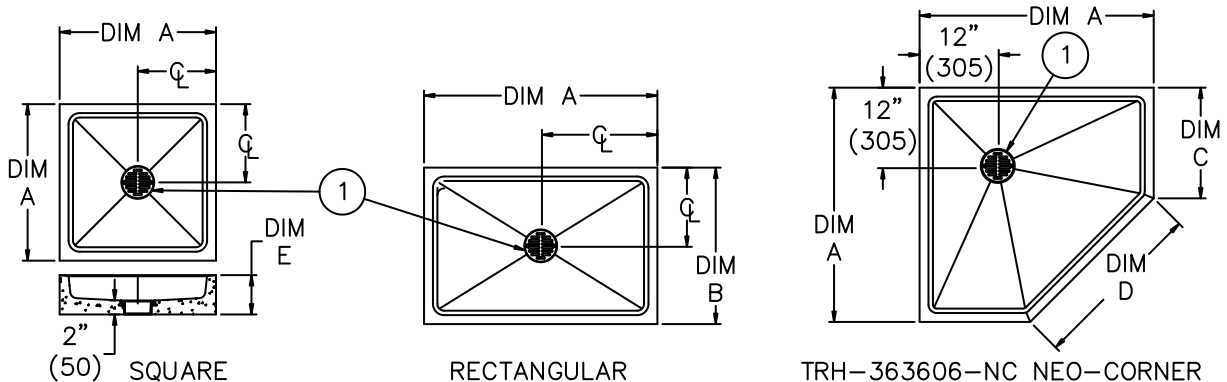
- BDS Beehive Dome Strainer
- NC Neo-Corner Design (Model TRH-363606 Only)

ACCESSORIES

- KBGS** Bumper Guard, Stainless Steel
Specify fixture front length: 24" 36"
- KBGV** Bumper Guard, Vinyl
Specify fixture front length: 24" 36"
- KDG3** Rubber Drain Gasket for 3" Waste Pipe
- KDG32** Rubber Drain Gasket Reducer for 2" Waste Pipe
- KF** Tiling Flange(s) (Shipped Loose)
Specify length(s):
 24"Qty: _____ 30"Qty: _____
 32"Qty: _____ 36"Qty: _____
- KFC** Faucet, Chrome Finish (H & C)
- KH36** Hose 36" Long with Wall Hanger
- KMH** Mop Hanger with 3 Grips on a Stainless Steel Bracket
- KWG** Wall Guard (Shipped Loose)
Specify number of sides:
 1 Side 2 Sides 3 Sides
Specify length(s):
 24"Qty: _____ 30"Qty: _____
 32"Qty: _____ 36"Qty: _____
- LB** Lint Basket/Strainer

Please visit www.acorneng.com for most current specifications.

MODEL NUMBER	TYPE	SIZES/DIMENSIONS				
		A – LENGTH	B – WIDTH	C	D	E
TRH-242410	SQUARE	24" (610)	–	–	–	10" (255)
TRH-362410	RECTANGULAR	36" (915)	24" (610)	–	–	10" (255)
TRH-242406	SQUARE	24" (610)	–	–	–	6" (150)
TRH-303006	SQUARE	30" (760)	–	–	–	6" (150)
TRH-323206	SQUARE	32" (815)	–	–	–	6" (150)
TRH-363606	SQUARE	36" (915)	–	–	–	6" (150)
TRH-363606-NC	NEO-CORNER	36" (915)	–	17" (430)	26-7/8" (685)	6" (150)
TRH-362406	RECTANGULAR	36" (915)	24" (610)	–	–	6" (150)
TRH-363206	RECTANGULAR	36" (915)	32" (815)	–	–	6" (150)



TERRAZZO-WARE REDUCED HEIGHT SERIES MOPSINKS

NOTE:

1. Integral drain with removable grid strainer. Drain provides inside caulk waste connection to 3" pipe.

Important: Installation instructions and current rough-in are furnished with each fixture. Do not rough in without certified dimensions. Dimensions are subject to manufacturer's tolerance of plus or minus 1/4" and change without notice. Acorn assumes no responsibility for use of void or superseded data. © Copyright 2007 Acorn Engineering Company	
<p style="text-align: center;">Selection Summary</p> Model No. & Option _____ Quantity _____	<p style="text-align: center;">Approved for Manufacturing</p> Company _____ Title _____ Signature _____ Date _____