



Terrazzo-Ware™ Shower Base - Back Outlet Series



SBS-36-BOD-FF

Fixture May Show Some Available Options

Please visit www.acorneng.com for most current specifications.

Back Outlet Shower Base

Shower Base is an attractive, easy to maintain, spacious shower receptacle. It is designed for durability and ease of installation. **ACORN Terrazzo-Ware™** precast shower bases provide flexibility in configuration and size as required by the design of the building and the specific installation. Custom sizes and colors are also available.

Back Outlet Integral Drain provides flexibility as required by the specific installation. It is available with both Fully Flanged and Integral Threshold Series type fixtures. Drain is supplied with a removable, stainless steel strainer and provides a female NPT connection to a 2" pipe. The shower base has coved corners and is pitched to the drain outlet to provide positive drainage. A vandal resistant strainer is optionally available.

Flanges are provided on the sides, rear and optionally entrance of the fixture. Without flanges the entrance has an integral threshold. Flanged entrance allows others to construct a tiled threshold. Integral threshold entrance allows others to install a shower door on the 3" wide threshold. Tiling flanges are galvanized steel and extend 1" above the 1½" wide shoulder.

Construction is one piece, precast terrazzo composed of marble chips cast in Portland cement to provide a compressive strength of at least 3,000 PSI seven days after casting. The shower base is ground smooth and sealed for years of service.

GUIDE SPECIFICATION

Provide and install an **ACORN Back Outlet Shower Base** (specify model number and options). Shower Base shall be made of precast terrazzo to produce a compressive strength of at least 3,000 PSI seven days after casting. Base shall be ground smooth and sealed. No air holes or pits shall be allowed on the finished surface. Base shall have coved corners and be pitched to the drain outlet for positive drainage. Integral drain shall have a stainless steel strainer and provide a female NPT connection to a 2" pipe. The manufacturer will provide to the installer the necessary installation instructions.

Page # T.SBBOD

New: 9/15/08

Terrazzo-Ware™: Shower Base-Back Outlet Series



BASE MODEL & TYPE

SIZE (must specify)

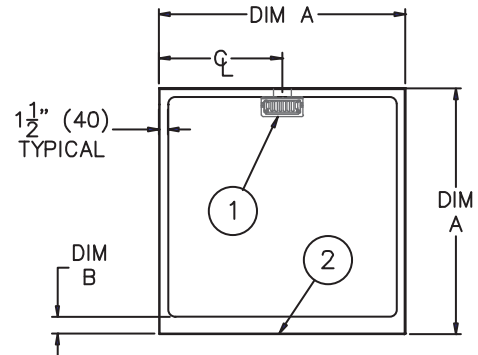
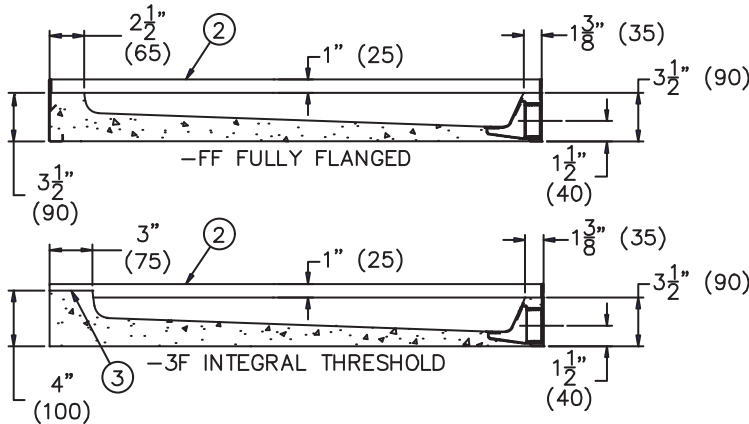
- SBBOD-32-3F** 32" Terrazzo Shower Base, Square Back Outlet Drain Orientation, Three Sides Flanged
- SBBOD-36-3F** 36" Terrazzo Shower Base, Square, Back Outlet Drain Orientation, Three Sides Flanged
- SBBOD-36-FF** 36" Terrazzo Shower Base, Square, Back Outlet Drain Orientation, Fully Flanged, All Sides

SUFFIX OPTIONS

- OC Optional Colors (contact factory)
- VRS Vandal Resistant Strainer

Please visit www.acorneng.com for most current specifications.

MODEL NUMBER	TYPE	SIZES/DIMENSIONS	
		A – LENGTH	B
SBS-36-BOD-FF	SQUARE, FULLY FLANGED	36" (915)	2-1/2" (90)
SBS-32-BOD-3F	SQUARE, INTEGRAL THRESHOLD	32" (815)	3" (75)
SBS-36-BOD-3F	SQUARE, INTEGRAL THRESHOLD	36" (915)	3" (75)



TERRAZZO-WARE BACK OUTLET SERIES SHOWER BASE

NOTES:

1. Integral drain with removable grid strainer. Drain provides inside caulk connection to 2" pipe.
2. Tiling flange.
3. Shower base threshold.

Important: Installation instructions and current rough-in are furnished with each fixture. Do not rough in without certified dimensions. Dimensions are subject to manufacturer's tolerance of plus or minus 1/4" and change without notice. Acorn assumes no responsibility for use of void or superseded data. © Copyright 2003 Acorn Engineering Company	
<p style="text-align: center;">Selection Summary</p> <p>Model No. & Option _____</p> <p>Quantity _____</p>	<p style="text-align: center;">Approved for Manufacturing</p> <p>Company _____ Title _____</p> <p>Signature _____ Date _____</p>