



Terrazzo-Ware™ Shower Base - Institutional Series



SBIS-36-RAB

Fixture May Show Some Available Options

Please visit www.acorneng.com for most current specifications.

Institutional Shower Base

Shower Base is an attractive, easy to maintain, spacious shower receptacle. It is designed for durability and ease of installation. **ACORN Terrazzo-Ware™** precast shower bases are available in square, rectangular and neo-corner models. Also available is a double receptacle within a single fixture where each receptacle of this twin unit has its own drain (specify -DD option). **ACORN** provides flexibility in configuration and size as required by the design of the building and the specific installation. Custom sizes and colors are also available.

Shoulders come standard as 6" high 3" wide thresholds. They may be optionally ordered with at least 1" high tiling flanges or 1" rabbets on any side (specify configuration) to allow others to construct tiled walls or install marble walls.

Construction is one piece, precast terrazzo composed of marble chips cast in Portland cement to provide a compressive strength of at least 3,000 PSI seven days after casting. The shower base surface is ground smooth and sealed for years of service.

Integral Drain is supplied with a removable, stainless steel grid strainer and provides for an inside caulked connection to a 2" pipe. The shower base has coved corners and is pitched to the drain outlet to provide positive drainage. A back outlet drain and a vandal resistant strainer are optionally available. Back outlet drain provides a female NPT drain connection.

GUIDE SPECIFICATION

Provide and install an **ACORN Institutional Shower Base** (specify model number and options). Shower Base shall be made of precast terrazzo to produce a compressive strength of at least 3,000 PSI seven days after casting. Base shall be ground smooth and sealed. No air holes or pits shall be allowed on the finished surface. Base shall have coved corners and be pitched to the drain outlet for positive drainage. Integral drain shall have a stainless steel strainer and provide for an inside caulked connection to a 2" pipe. The manufacturer will provide to the installer the necessary installation instructions.

Terrazzo-Ware™: Shower Base-Institutinal Series



BASE MODEL & TYPE

- SBI-36-BOD** 36" Terrazzo Institutional Corner Shower Base, Back Outlet Drain
- SBIC-36** 36" Terrazzo Institutional Corner Shower Base
- SBIR-4836** 48" x 36" Institutional Rectangular Terrazzo Shower Base
- SBIR-3672** 36 x 72" Rectangular Terrazzo Shower Base,
- SBIR-3672-DD** 36 x 72" Rectangular Terrazzo Shower Base, Double Drain
- SBIS-36** 36" Terrazzo Institutional Square Shower Base

SUFFIX OPTIONS

- OC Optional Colors (contact factory)
- RAB Rabbeted Shoulders (contact factory)
- VRS Vandal Resistant Strainer

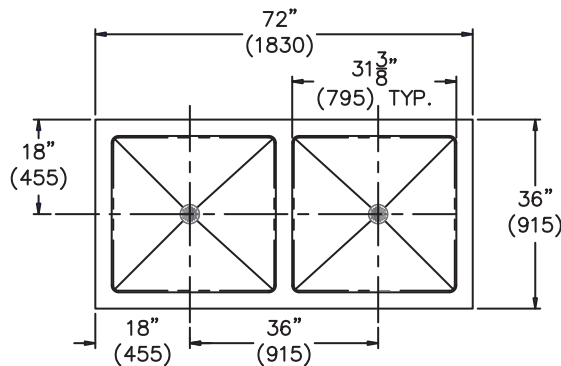
Tiling Flanges (contact factory)

- 1F One Flanged Side
- 2F Two Flanged Sides
- 3F Three Flanged Sides
- FF Fully Flanged Sides

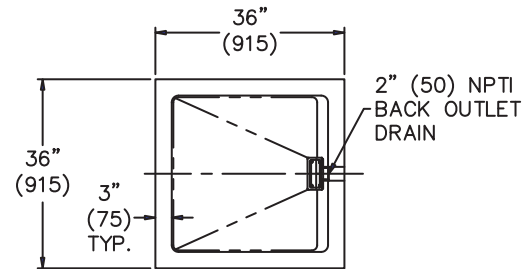
ACCESSORIES

- KDG2 Rubber Drain Gasket for 2" Waste Pipe

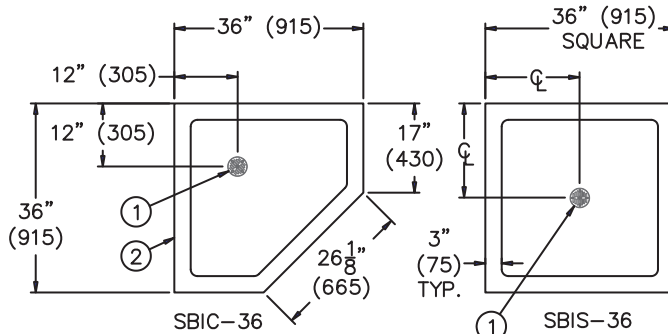
Please visit www.acorneng.com for most current specifications.



SBIR-7236-DD

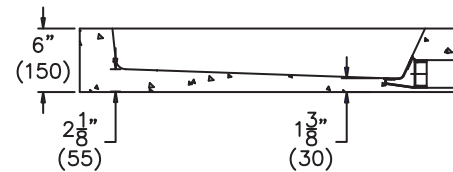


SBIR-36-BOD

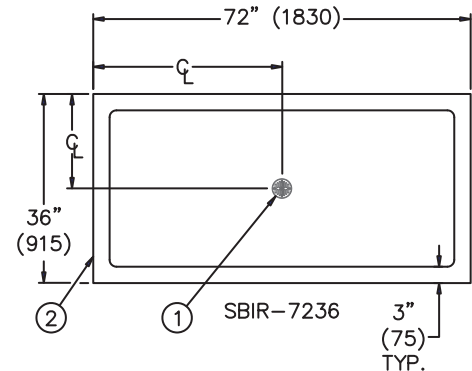
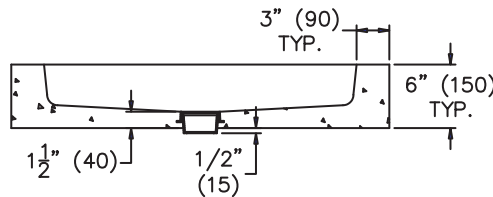


SBIC-36

SBIS-36



SBIR-36-BOD



SBIR-7236

TERRAZZO-WARE INSTITUTIONAL SERIES SHOWER BASE

NOTE:

1. Integral drain with removable grid strainer. Drain provides an inside connection to 2" pipe.
2. Shoulders are 3" wide and 6" high.

Important: Installation instructions and current rough-in are furnished with each fixture. Do not rough in without certified dimensions. Dimensions are subject to manufacturer's tolerance of plus or minus 1/4" and change without notice. Acorn assumes no responsibility for use of void or superseded data. © Copyright 2004 Acorn Engineering Company	
<p style="text-align: center;">Selection Summary</p> <p>Model No. & Option _____</p> <p>Quantity _____</p>	<p style="text-align: center;">Approved for Manufacturing</p> <p>Company _____ Title _____</p> <p>Signature _____ Date _____</p>