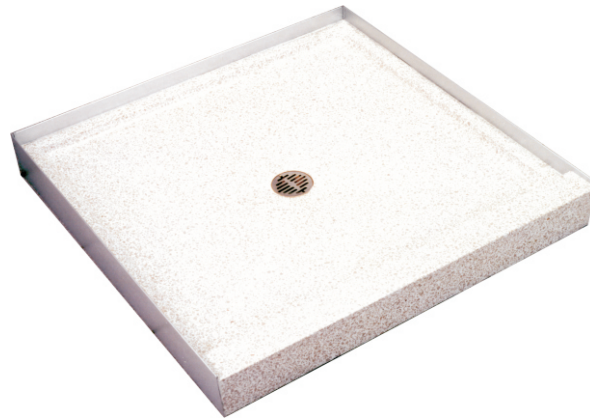




## Terrazzo-Ware™ Shower Base - Integral Threshold Series, Square Fixtures



SBS-36-3F

Fixture May Show Some Available Options

Please visit [www.acorneng.com](http://www.acorneng.com) for most current specifications.

### Shower Base With Integral Threshold, Square Fixtures

**Shower Base** is an attractive, easy to maintain, spacious shower receptacle. It is designed for durability and ease of installation. **ACORN Terrazzo-Ware™** precast shower bases provide flexibility in configuration and size as required by the design of the building and the specific installation. Custom sizes and colors are also available.

**Integral Thresholds** on one or two sides (per the specified fixture) provide an attractive entry into the shower. The 3" wide threshold allows easy installation of a shower door. The non-threshold sides have galvanized tiling flanges which extend at least 1½" above the 1¼" wide shoulder.

**Construction** is one piece, precast terrazzo composed of marble chips cast in Portland cement to provide a compressive strength of at least 3,000 PSI seven days after casting. The shower base surface is ground smooth and sealed to provide years of service.

**Integral Drain** is supplied with a removable, stainless steel grid strainer and provides for an inside caulked connection to a 2" pipe. The shower base has coved corners and is pitched to the drain outlet to provide positive drainage. A vandal resistant strainer is optionally available.

### GUIDE SPECIFICATION

Provide and install an **ACORN Integral Threshold Shower Base** (specify model number and options). Shower Base shall be made of precast terrazzo to produce a compressive strength of not less than 3,000 PSI seven days after casting. Base shall be ground smooth and sealed. No air holes or pits shall be allowed on the finished surface. Base shall have coved corners and be pitched to the drain outlet for positive drainage. Integral drain shall have a stainless steel strainer and provide for an inside caulked connection to a 2" pipe. The manufacturer will provide to the installer the necessary installation instructions.

# Terrazzo-Ware™: Shower Base-Integral Threshold Series



## BASE MODEL & TYPE

### 3 FLANGED SIDES

- SBS-30-3F** 30" Terrazzo Shower Base, Square
- SBS-32-3F** 32" Terrazzo Shower Base, Square
- SBS-34-3F** 34" Terrazzo Shower Base, Square
- SBS-36-3F** 36" Terrazzo Shower Base, Square
- SBS-40-3F** 40" Terrazzo Shower Base, Square
- SBS-42-3F** 42" Terrazzo Shower Base, Square
- SBS-48-3F** 48" Terrazzo Shower Base, Square

### 2 FLANGED SIDES

- SBS-32-2F** 32" Terrazzo Shower Base, Square
- SBS-36-2F** 36" Terrazzo Shower Base, Square
- SBS-40-2F** 40" Terrazzo Shower Base, Square

## SUFFIX OPTIONS

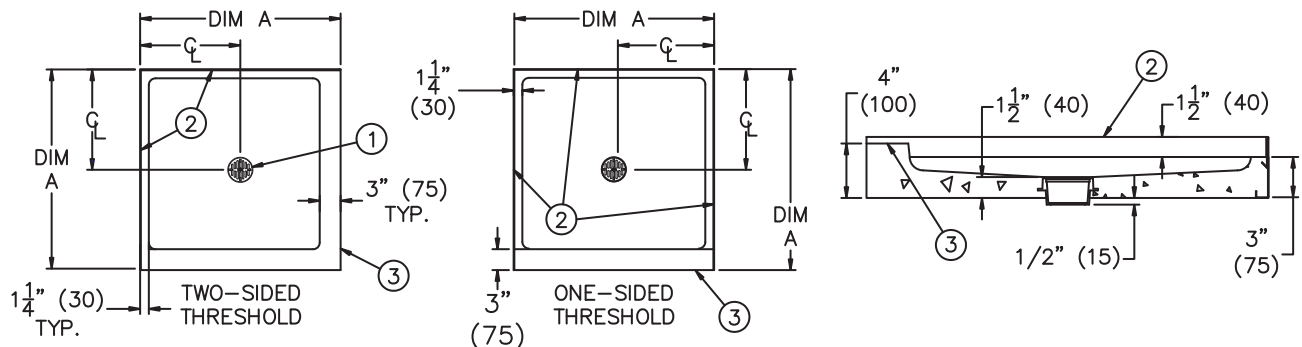
- OC Optional Colors (contact factory)
- VRS Vandal Resistant Strainer

## ACCESSORIES

- KDG2 Rubber Drain Gasket for 2" Waste Pipe

Please visit [www.acorneng.com](http://www.acorneng.com) for most current specifications.

MODEL NUMBER	TYPE	THRESHOLD SIDES	FLANGED SIDES	SIZES/DIMENSIONS		MODEL NUMBER	TYPE	THRESHOLD SIDES	FLANGED SIDES	SIZES/DIMENSIONS	
				A	LENGTH					A	LENGTH
SBS-30-3F	SQUARE	1	3	30"	(760)	SBS-42-3F	SQUARE	1	3	42"	(1065)
SBS-32-3F	SQUARE	1	3	32"	(815)	SBS-48-3F	SQUARE	1	3	48"	(1220)
SBS-34-3F	SQUARE	1	3	34"	(865)	SBS-32-2F	SQUARE	2	2	32"	(815)
SBS-36-3F	SQUARE	1	3	36"	(915)	SBS-36-2F	SQUARE	2	2	36"	(915)
SBS-40-3F	SQUARE	1	3	40"	(1015)	SBS-40-2F	SQUARE	2	2	40"	(1015)



## TERRAZZO-WARE INTEGRAL THRESHOLD SQUARE SERIES SHOWER BASE

### NOTES:

1. Integral drain with removable grid strainer. Drain provides inside caulk connection to 2" pipe.
2. Tiling flange.
3. Shower base threshold.

<b>Important:</b> Installation instructions and current rough-in are furnished with each fixture. Do not rough in without certified dimensions. Dimensions are subject to manufacturer's tolerance of plus or minus 1/4" and change without notice. Acorn assumes no responsibility for use of void or superseded data. © Copyright 2004 Acorn Engineering Company	
<p style="text-align: center;">Selection Summary</p> Model No. & Option _____ Quantity _____	<p style="text-align: center;">Approved for Manufacturing</p> Company _____ Title _____ Signature _____ Date _____