



Wash-Ware® 3442 Series

Corner Models - 2 or 3 Stations



3443-ADA-2-H

3443-ES-ADA-1-H

Fixture May Show Some Available Options

Please visit www.acorneng.com for most current specifications.

Corner Models - 2 or 3 Stations

Bowl and Sprayhead are type 304 stainless steel with satin finish. Bowl is 37" wide, and has an integral backsplash and sprayhead. Heavy-duty S-clips securely anchor the backsplash to the wall. Sprayhead is 15" diameter x 5-1/4" high.

Standard Housing is black vinylclad, galvanized steel panels on both sides and a type 304 stainless steel panel with satin finish on the front side. Base is also stainless steel.

ES Series feature a contoured 16 gage, type 304 stainless steel pedestal housing with satin finish. One piece housing and flush mounted access cover allow for easier installation and servicing of unit. The following options are not available with this style pedestal housing: -SPX 16 Gage Stainless Steel Housing (standard with this base), and -VP Vinylclad Housing Color.

Three Station Fixtures Are ADA Compliant. Three station units with 34" rim height conform to ANSI, UFAS and ADA requirements for accessibility. Compliance is subject to the interpretation and requirements of the local code authority.

Soap / Toiletry Tray on top of sprayhead is standard. There are additional self-draining, air-circulating soap dishes on each side of the bowl.

Sectional Control is standard. One pushbutton or sensor actuates one station.

Hand Pushbuttons (suffix option -H) operate metering non-hold open Air-Control Valves and can be field set for flow ranging from 5 to 60 seconds. Pushbutton requires less than 5 pounds of force to activate valve.

Electronic Sensor Operation (suffix option -SO) includes individual solenoid valves activated by infrared sensors. A low voltage transformer is provided.

Foot Pushbuttons are not available on these models.

Spray Nozzles are vandal-resistant and provide a concentrated 0.5 GPM spray at each station.

Hot & Cold Supplies are blended in a pressure balancing mixing valve furnished with checkstops, strainers and flexible supply connections. A minimum of 30 PSI supply pressure is required.

Waste Connection is a 1-1/2" OD x 4" tailpiece.

GUIDE SPECIFICATION

Provide and install Acorn Washfountain (specify model number and options) factory pre-assembled, with individual sectional control. Bowl shall be 14 gage stainless steel and shall have an integral backsplash. Sprayhead shall be 18 gage stainless steel. Spray nozzles shall be vandal-resistant type with 0.5 GPM flow controls. Provide self-draining, air-circulating type soap/toiletry tray on top of sprayhead, and soap dish on each side of bowl. On-Floor and Off-Floor Models shall have backsplash and housing framework anchored to wall. The wall shall be structurally reinforced to support the fixture. Standard base On-Floor Models shall have additional floor anchoring. Provide pressure balancing mixing valve with checkstops and strainers in H & C supply and field set water temperature at 105 degrees Fahrenheit. When hand operated non-hold open metering valves are specified, timing cycle shall be field set for approximately (specify) seconds. Three station units to conform to ANSI, UFAS and ADA requirements for accessibility.



Wash-Ware®: 3442 Corner Models - 2 or 3 Stations

MODEL NUMBER AND OPTIONS SELECTION

BASE MODEL NUMBERS (Must Specify)

- 3442 Corner, Two Station
- 3443-ADA Corner, Three Station (ADA Compliant)
- 3442-ES Corner with Contoured Base, Two Station
- 3443-ES-ADA Corner with Contoured Base, Three Station (ADA Compliant)

FIXTURE MOUNTING AND WASTE (Must Specify)

(1-1/2" OD Tailpiece Provided Standard)

- 1 Off-Floor, Wall Outlet
- 2 On-Floor, Wall Outlet

OPERATION (Must Specify)

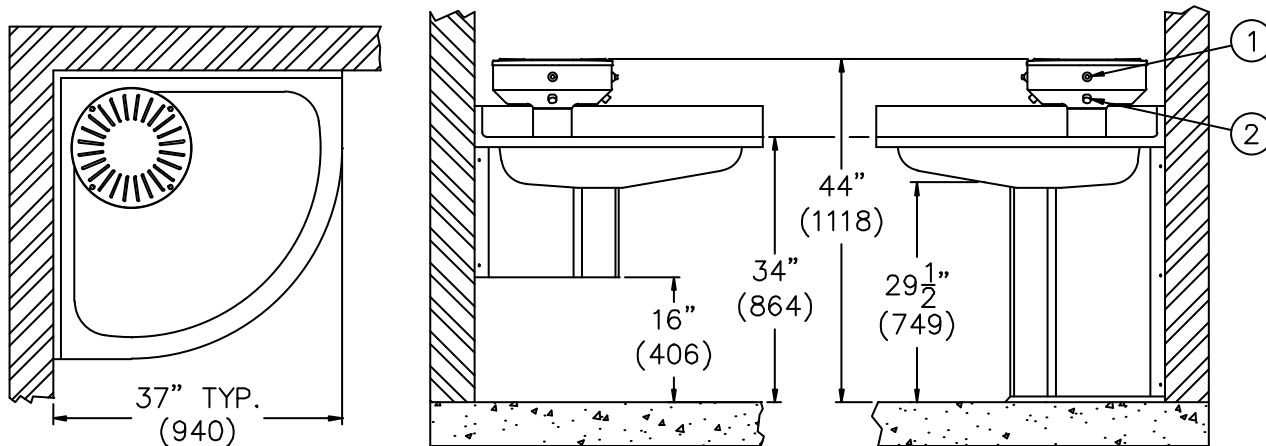
- H Hand Operation
- PBE Pushbutton Electronic Metering
- SO Sensor Operation

Note: Foot operation is not available on these models.

Product Options

- BAT Battery Operated (-SO)
- CB Column Braced to Backsplash
- CS Compact Sprayhead - 9" Diameter x 4" High (Not Available with -DP or -DV.)
- DP Metering Powder Soap Dispenser
- DV Liquid / Lotion Soap Dispenser
- EG Enviro-Glaze Color, Bowl and Sprayhead Specify: _____
- HB Hose Bibb, Specify: ___ Left Side ___ Right Side (Not ADA Compliant.)
- JH 26" Junior Rim Height (Not ADA Compliant.)
- MXT Thermostatic Mixing Valve
- PCB Pipe Column Brace (Pipe By Others.)
- PDM Metering Liquid Soap Dispenser (Not Available with -PCB, -TM, or -TS.)
- SPX 16 Gage Stainless Steel Housing (Standard on -ES Contoured Base Units.)
- ST Single Temperature Valve
- TM C or Multi-Fold Paper Towel Dispenser (Not ADA Compliant.)
- TS Single-Fold Paper Towel Dispenser (Not ADA Compliant.)
- VP Vinylclad Housing Color: ___ Black (Standard) ___ Gray ___ White (Not Available with -ES Contoured Base Units.)
- WW Water Waster Non-Sectional Control

Please visit www.acorneng.com for most current specifications.



MODELS: 3442/3443

3442/3443-1-H

3442/3443-2-H

NOTES:

1. -H Pushbutton.

2. Spray Nozzle.

<p>Important: Installation instructions and current rough-in are furnished with each fixture. Do not rough in without certified dimensions. Dimensions are subject to manufacturer's tolerance of plus or minus 1/4" and change without notice. Acorn assumes no responsibility for use of void or superseded data. © Copyright 2006 Acorn Engineering Company</p>	
<p>Selection Summary</p> <p>Model No. & Option _____</p> <p>Quantity _____</p>	<p>Approved for Manufacturing</p> <p>Company _____ Title _____</p> <p>Signature _____ Date _____</p>