



Wash-Ware® 3562-DBS Series

9" Deep Bowl Corner Models - 2 or 3 Stations



3562-DBS-2-F-BO

Fixture May Show Some Available Options

Please visit www.acorneng.com for most current specifications.

9" Deep Bowl Corner Models - 2 or 3 Stations

Bowl and Sprayhead are type 304 stainless steel with satin finish. Bowl is 37" wide, and has an integral backsplash and sprayhead. Heavy-duty S-clips securely anchor the backsplash to the wall. Sprayhead is 15" diameter x 5-1/4" high.

Housing is black vinylclad, galvanized steel. Base is stainless steel.

Soap/Toiletry Tray on top of sprayhead is standard.

Sectional Control is standard. One pushbutton or sensor actuates one station.

Hand Pushbuttons (suffix option -H) operate metering non-hold open Air-Control Valves and can be field set for flow ranging from 5 to 60 seconds.

Electronic Sensor Operation (suffix option -SO) includes individual solenoid valves activated by infrared sensors. A low voltage transformer is provided.

Foot Pushbuttons (suffix option -F) operate direct acting non-metering Air-Control Valves that permit the user to control the length of the washing cycle.

Spray Nozzles are vandal-resistant and provide a concentrated 0.5 GPM spray at each station.

Hot & Cold Supplies are blended in a pressure balancing mixing valve furnished with checkstops, strainers and flexible supply connections. A minimum of 30 PSI supply pressure is required.

Waste Connection for -2 Wall Outlet models is a 1-1/2" OD x 4" tailpiece. Waste connection for -3 Floor Outlet is 2" No Hub. No Hub connector by others.

Retrofitting Existing Installations. These fixtures are ideal for replacement of old style corner washfountains, particularly where maintenance is excessive or when unsanitary conditions exist.

GUIDE SPECIFICATION

Provide and install Acorn Washfountain (specify model number and options) factory pre-assembled, with individual sectional control. 9" deep bowl shall be 14 gage stainless steel and shall have an integral backsplash. Sprayhead shall be 18 gage stainless steel. Spray nozzles shall be vandal-resistant type with 0.5 GPM flow controls. Provide self-draining, air-circulating type soap/toiletry tray on top of sprayhead, and soap dish on each side of bowl. Housing shall have stainless steel scuffguard base and black vinylclad galvanized steel panels. Fixtures shall have backsplash anchored to the wall and housing framework anchored to the floor. Provide pressure balancing mixing valve with checkstops and strainers in H & C supply and field set water temperature at 105 degrees Fahrenheit. When hand operated non-hold open metering valves are specified, timing cycle shall be field set for approximately (specify) seconds.

Wash-Ware®: 3562-DBS 9" Deep Bowl Corner Models - 2 or 3 Stations



MODEL NUMBER AND OPTIONS SELECTION

BASE MODEL NUMBERS (Must Specify)

- 3562-DBS On-Floor, Corner, Two Station
- 3563-DBS On-Floor, Corner, Three Station

FIXTURE MOUNTING AND WASTE (Must Specify)

- 2 On-Floor, Wall Outlet
(1-1/2" OD x 4" Long Waste Outlet Tailpiece)
- 3 On-Floor, Floor Outlet

OPERATION (Must Specify)

- F Foot Operation
- H Hand Operation
- PBE Pushbutton Electronic Metering
- SO Sensor Operation

SUPPLY AND VENT

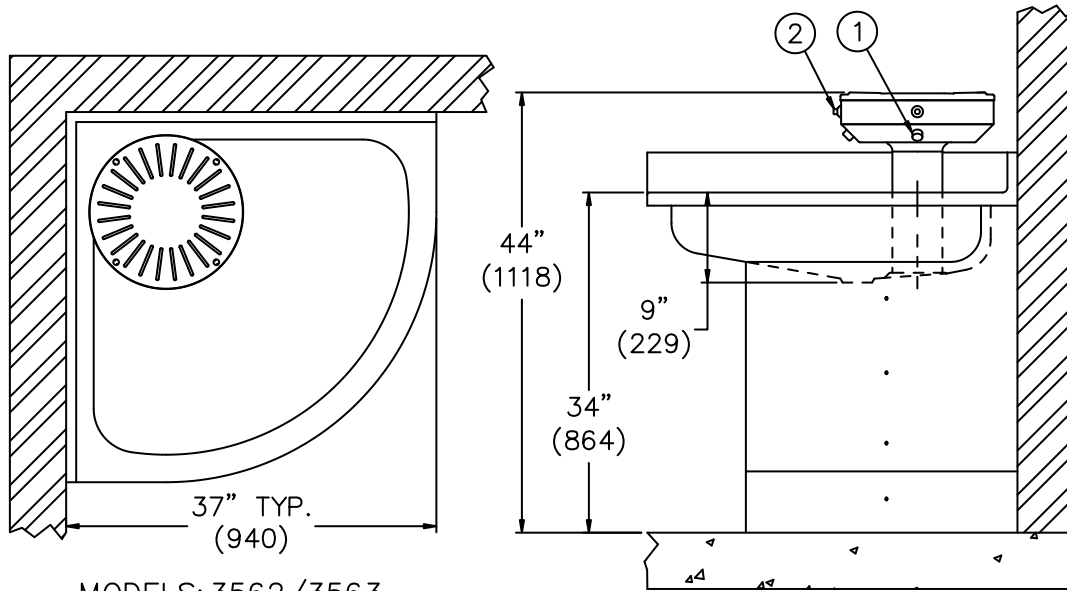
(Must Specify for -3 On-Floor, Floor Outlet Configuration Only)

- BO Bottom Supply; Vent Off Drain
- BT Bottom Supply; Vent Thru-Fixture
- TO Top Supply; Vent Off Drain
- TT Top Supply; Vent Thru-Fixture

Product Options

- BAT Battery Operated (-SO)
- CB Column Braced to Backsplash
- CS Compact Sprayhead - 9" Diameter x 4" High
(Not Available with -DP or -DV.)
- DP Metering Powder Soap Dispenser
- DV Liquid / Lotion Soap Dispenser
- EG Enviro-Glaze Color, Bowl and Sprayhead
Specify: _____
- HB Hose Bibb, Specify: ___ Left Side ___ Right Side
- JH 26" Junior Rim Height
- MXT Thermostatic Mixing Valve
- PCB Pipe Column Brace (Pipe By Others.)
- PDM Metering Liquid Soap Dispenser
(Not Available with
-BT, -PCB, -SC, -TM, -TO, -TS, or -TT.)
- SC Supply / Vent Cover.
Specify Ceiling Height: _____
- SPX 16 Gage Stainless Steel Housing
- ST Single Temperature Valve
- TM C or Multi-Fold Paper Towel Dispenser
- TS Single-Fold Paper Towel Dispenser
- VP Vinylclad Housing Color:
___ Black (Standard) ___ Gray ___ White
- WW Water Waster Non-Sectional Control

Please visit www.acorneng.com for most current specifications.



MODELS: 3562/3563
Series

3562/3563-DBS-2-H
Series

NOTES:

1. Spray Nozzle
2. -H Pushbutton

Important: Installation instructions and current rough-in are furnished with each fixture. Do not rough in without certified dimensions. Dimensions are subject to manufacturer's tolerance of plus or minus 1/4" and change without notice. Acorn assumes no responsibility for use of void or superseded data. © Copyright 2006 Acorn Engineering Company	
<p style="text-align: center;">Selection Summary</p> Model No. & Option _____ Quantity _____	<p style="text-align: center;">Approved for Manufacturing</p> Company _____ Title _____ Signature _____ Date _____