



Wash-Ware® 3601 Series

Acorn Terrazzo Uni-Lav - 1 Station - ADA Compliant



3601-1-SO

Fixture May Show Some Available Options

Please visit www.acorneng.com for most current specifications.

Acorn Terrazzo Uni-Lav - 1 Station - ADA Compliant

Bowl and Sprayhead are reinforced cast Terrazzo. Bowl is 20-3/8" (518mm.) wide, and has an integral backsplash and sprayhead. Bowl is finished with a clear polyurethane coating. Standard color is Palomino Tan. See available color selection.

Barrier-Free Conformance

Units conform with ANSI, UFAS and ADA requirements for accessibility. Compliance is subject to the interpretation and requirements of the local code authority.

Hand Pushbutton (suffix option -H) operates an individual non-hold open, Air-Controlled metering valve and can be field set for flow ranging from 5 to 60 seconds. Pushbutton requires less than 5 pounds to activate valve.

Electronic Sensor Operation (suffix option -SO) includes individual solenoid valves activated by infrared sensors. A plug-in style transformer is provided.

Foot Pushbutton is not available on this model.

Spray Nozzle is vandal-resistant and provides a concentrated 0.5 GPM spray.

Hot & Cold Supply is blended in a pressure balancing mixing valve furnished with checkstops, strainers and flexible supply connections. A minimum of 30 PSI supply pressure is required.

Shroud is heavy gage, stainless steel.

GUIDE SPECIFICATION

Provide and install Acorn Terrazzo Uni-Lav (specify model number and options). Bowl shall be reinforced cast Terrazzo polished and sealed with a clear polyurethane coating, and shall have an integral backsplash and sprayhead. Spray nozzle shall be vandal-resistant type with 0.5 GPM flow control. Provide a pressure balancing mixing valve with checkstops and strainers in hot and cold supply and field set water temperature at 105 degrees Fahrenheit. Shroud shall be heavy gage, stainless steel. Terrazzo Uni-Lav shall be mounted using carrier arms, supplied by others. Units to conform with ANSI, UFAS and ADA requirements for accessibility.

Wash-Ware®: 3601 Acorn Terrazzo Uni-Lav - 1 Station - ADA Compliant



MODEL NUMBER AND OPTIONS SELECTION

BASE MODEL NUMBER (Must Specify)

-3601 Off-Floor, 1 Station Uni-Lav

FIXTURE MOUNTING AND WASTE (Must Specify)

-1 Off-Floor, Wall Outlet

OPERATION (Must Specify)

- H Hand Operation
- PBE Pushbutton Electronic Metering
- SO Sensor Operation

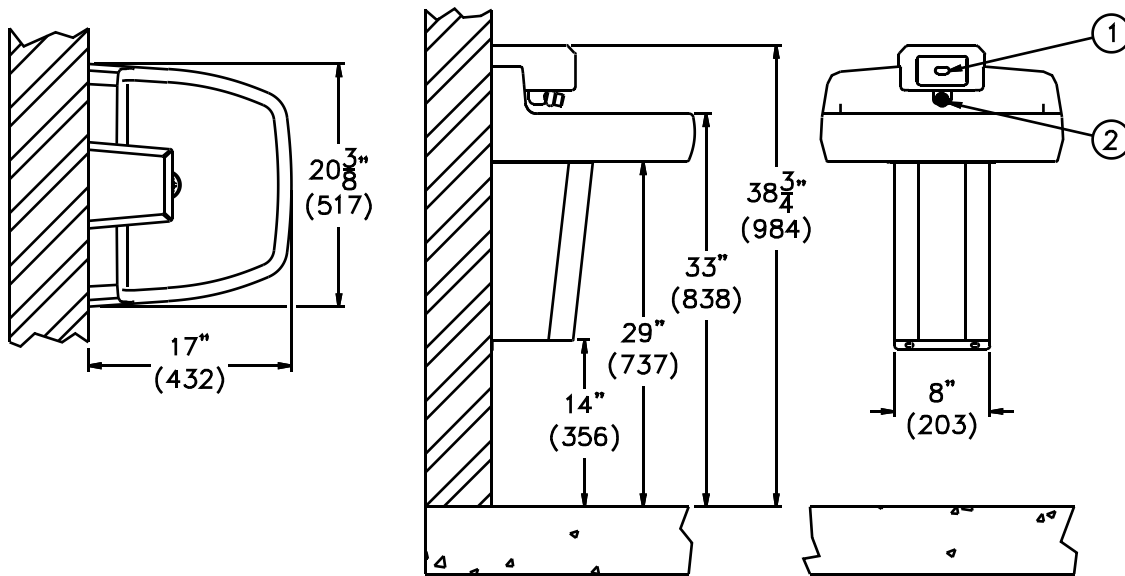
SUPPLY AND VENT

Not applicable to this model.

Product Options

- BAT Battery Operated (-SO)
- JH26 26" Junior Rim Height
- JH28 28" Junior Rim Height
- JH30 30" Junior Rim Height
- JH32 32" Junior Rim Height
- MXT Thermostatic Mixing Valve
- OCT Optional Terrazzo Colors, Specify: _____
- ST Single Temperature Supply

Please visit www.acorneng.com for most current specifications.



MODEL# 3601-1-SO

NOTES:

1. -SO Sensor.

2. Spray Nozzle.

<p>Important: Installation instructions and current rough-in are furnished with each fixture. Do not rough in without certified dimensions. Dimensions are subject to manufacturer's tolerance of plus or minus 1/4" and change without notice. Acorn assumes no responsibility for use of void or superseded data. © Copyright 2006 Acorn Engineering Company</p>	
<p style="text-align: center;">Selection Summary</p> <p>Model No. & Option _____</p> <p>Quantity _____</p>	<p style="text-align: center;">Approved for Manufacturing</p> <p>Company _____ Title _____</p> <p>Signature _____ Date _____</p>