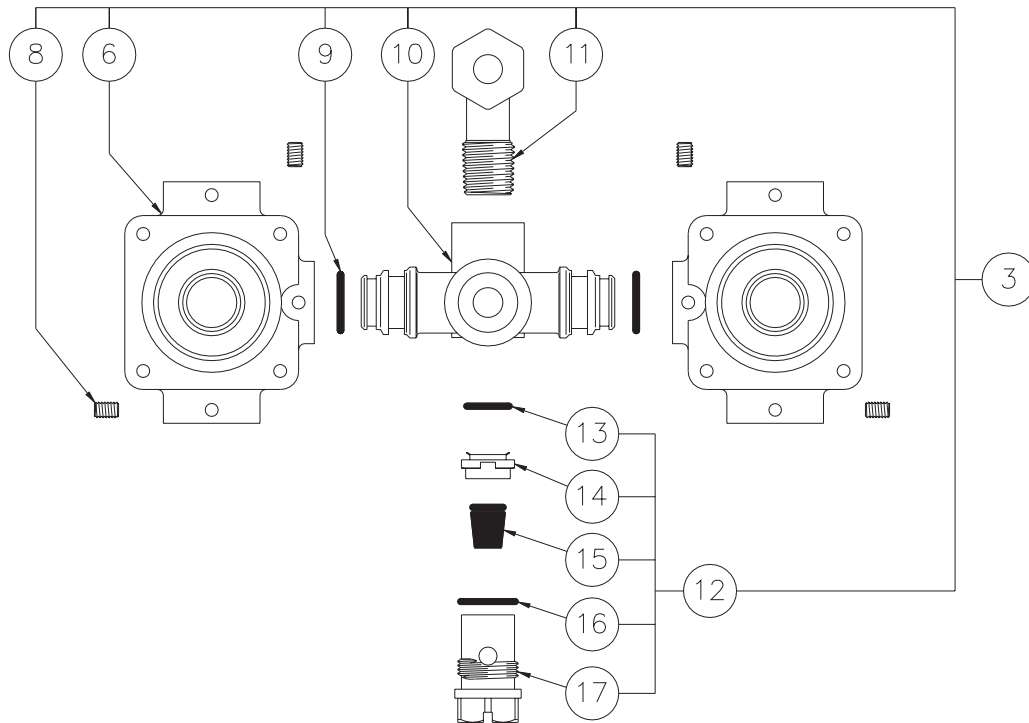
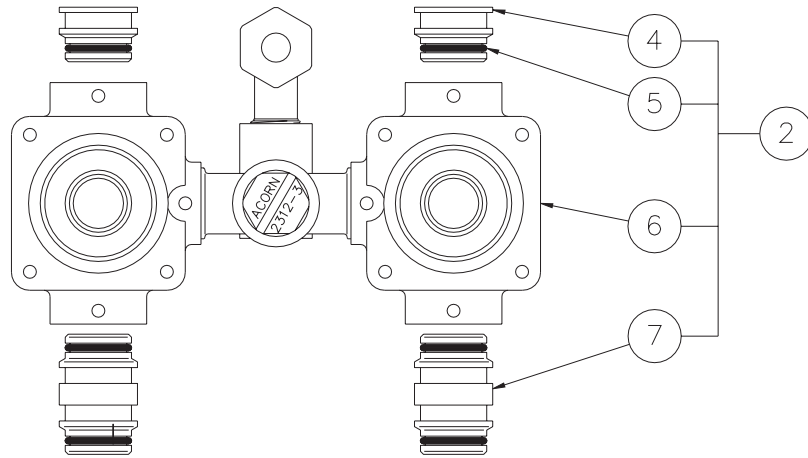




1 COMPLETE ASSY



1	2589-202-001	H & C DUAL VALVE ASSY -COMPLETE	10	2580-010-199	FLO-CONTROL TEE
2	2589-210-001	VALVE ASSY -UPPER	11	1895-152-000	1/4" NPT x 1/4" OD TUBE ELBOW
3	2589-211-001	VALVE ASSY -LOWER	12	2312-003-001	FLO-CONTROL ASSY (.5 GPM)
4	2580-027-199	MALE O-RING PLUG	13	0401-012-000	O-RING
5	0401-015-000	O-RING	14	2312-002-000	FLO-CONTROL RETAINER
6	2555-021-299	VALVE BODY FEMALE x FEMALE	15	0469-005-000	.5 GPM FLO-CONTROL
7	2580-026-001	MALE O-RING ADAPTER ASSY	16	0401-014-000	O-RING
8	0181-018-000	#8-32 x 3/16" SET SCREW	17	2312-003-000	FLO-CONTROL PLUG
9	0401-013-000	O-RING			

ITEM	PART NUMBER	DESCRIPTION	ITEM	PART NUMBER	DESCRIPTION
ACORN ENGINEERING COMPANY P.O. BOX 3527 INDUSTRY, CA. 91744 (626) 336-4561 FAX (626) 961-2200		TITLE HOT & COLD AIR-TROL DUAL FIXTURE VALVE BODY ASSEMBLY			
MANUFACTURE DATE JULY 1990 TO APRIL, 1994			DATE ISSUED 12/01/90		
			DRAWING NUMBER 9955-007-002		
			DATE REVISED 03/23/05		