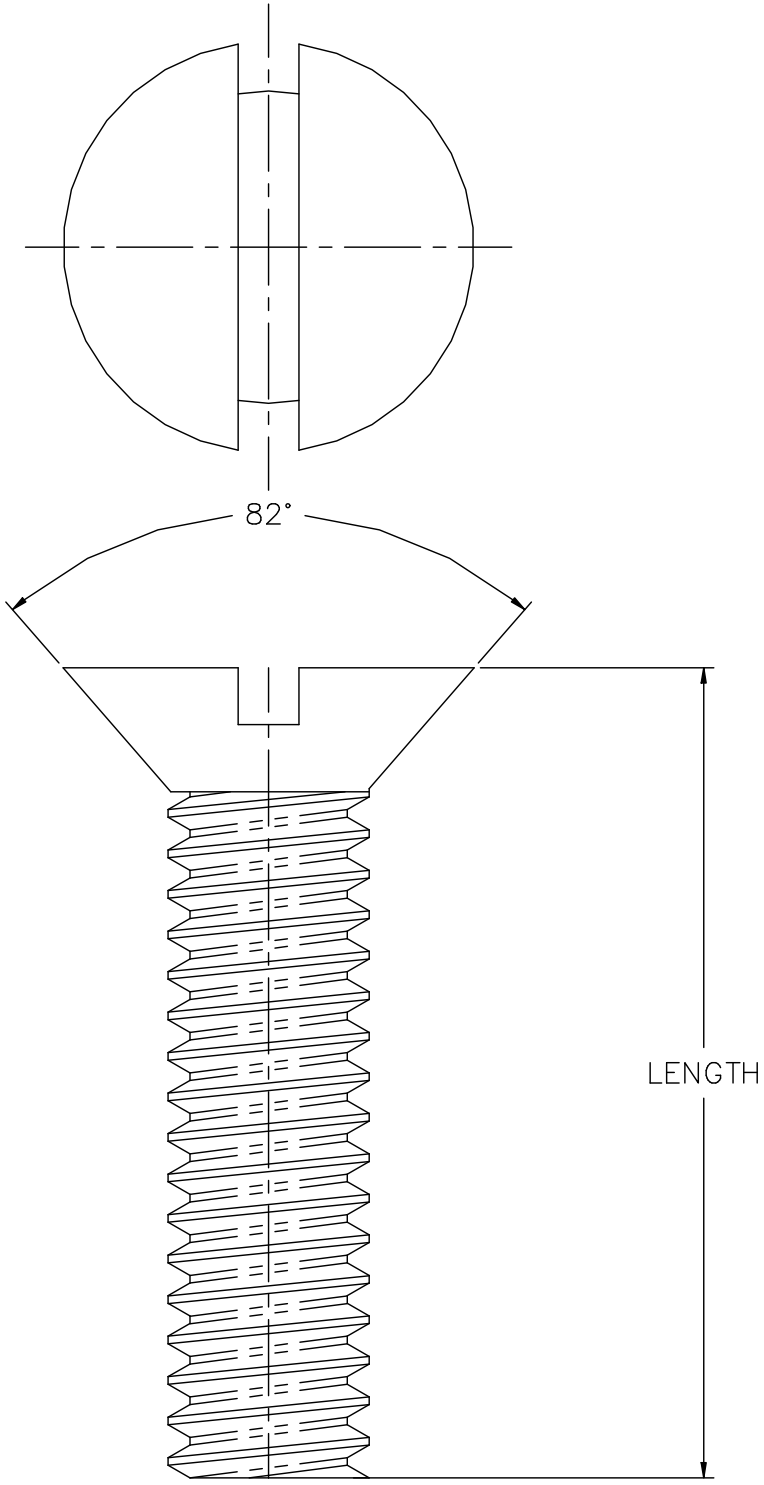



0151-001-000	1/4-20 UNC	1"
0151-002-000	1/4-20 UNC	2"
0151-004-000	5/16-18 UNC	1"
0151-009-000	#8-32 UNC	1 1/2"
0151-020-000	#10-32 UNC	1 1/2"
PART NUMBER	THREAD	LENGTH



1-MATL: TYPE 300 SERIES STAINLESS STEEL

 ACORN ENGINEERING COMPANY P.O. BOX 3527 INDUSTRY, CA. 91744 (626) 336-4561 FAX (626) 961-2200	TITLE SLOTTED 82° FLATHEAD MACH SCREW STAINLESS STEEL				MATERIAL TYPE BASE PART		
	JOB OR SECTION M/C MACHINE SCREWS				DRAWING NUMBER 0151-004-000 THRU 0151-020-000		
	SCALE 4X	DATE 2/6/89	DRN. BY DM	ENGINEERING CHANGE NO.	ECO REVISION	REV. DATE	MATERIAL GROUP