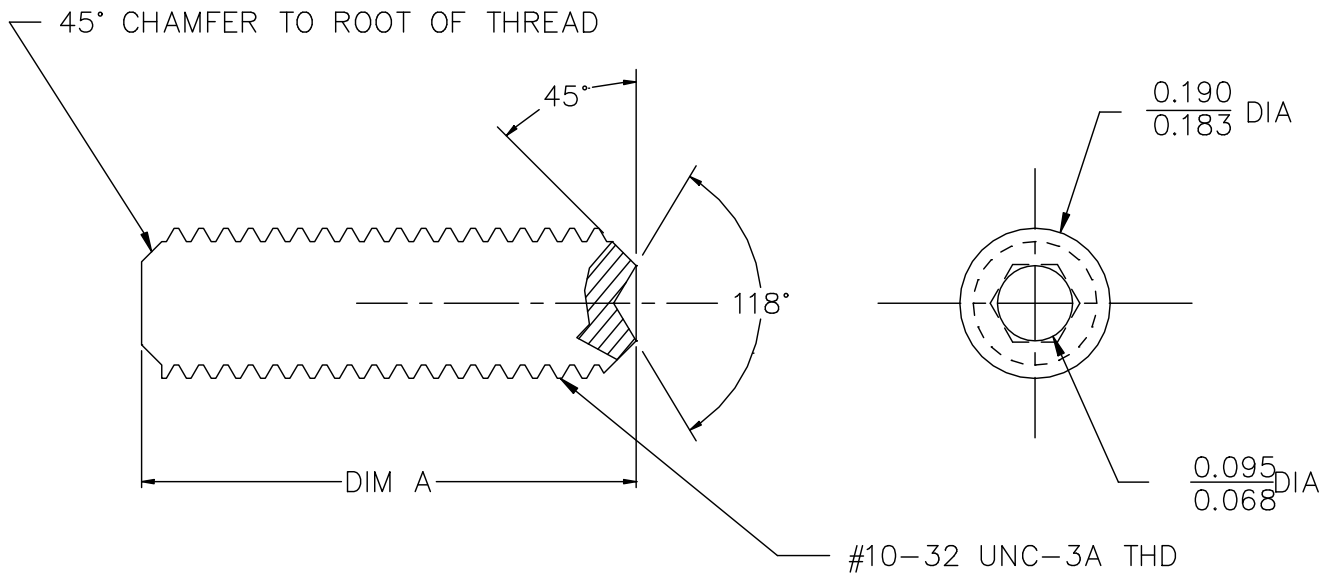


0181-021-000	0.500	#10-32 UNC
0181-018-000	0.188	#8-32 UNC STN STL (AIR-TROL)
0181-017-000	0.250	#8-32 UNC STN STL
0181-014-000	0.188	1/4-28 UNF
0181-013-000	0.125	#4-40 UNC
0181-011-000	0.188	#6-32 UNC LOGAN W-122
0181-010-000	0.625	#10-32 UNF AUTO-CLOZ 90
0181-009-000	1.000	1/4-20 UNC
0181-008-000	0.250	#4-40 UNF VC SQ FLNG SHWR HD
0181-007-000	0.375	#10-32 UNF
0181-006-000	0.750	1/4-20 UNC
0181-005-000	0.625	1/4-20 UNC
0181-003-000	0.188	#10-32 UNF
0181-002-000	0.125	#10-32 UNF
0181-001-000	0.125	#6-40 UNF
PART NUMBER	A DIM	DESCRIPTION



MAT'L: STAINLESS STEEL



ACORN ENGINEERING COMPANY
P.O. BOX 3527 INDUSTRY, CA. 91744
(626) 336-4561 FAX (626) 961-2200

TITLE		SET SCREW ALLEN HEAD			MATERIAL TYPE			BASE PART		
JOB OR SECTION		<i>M/C MACHINE SCREWS</i>			DRAWING NUMBER			0181-001-000 THRU 0181-021-000		
SCALE	DATE	DRN. BY	ENGINEERING CHANGE NO.		ECO REVISION	REV. DATE	MATERIAL GROUP			
4X	2/6/89	DM			A	12-06-99				