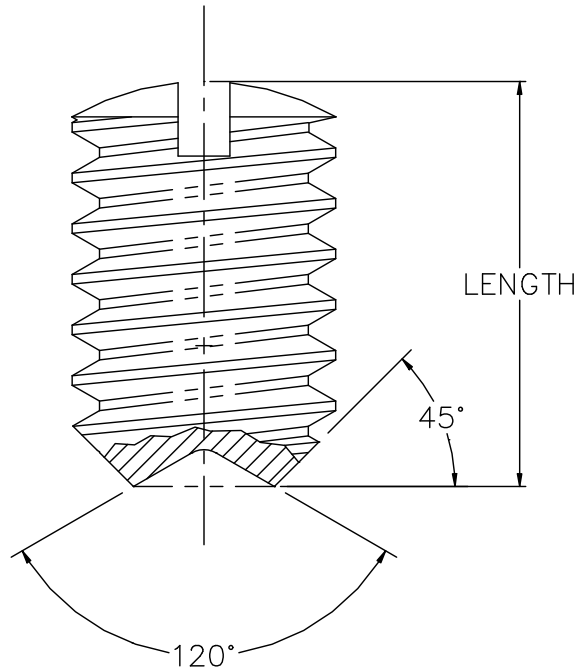



DIMENSIONS ARE SUBJECT TO MANUFACTURERS TOLERANCE AND CHANGE WITHOUT NOTICE. WE CAN ASSUME NO RESPONSIBILITY FOR USE OF SUPERSEDED OR VOID DATA. THIS PRINT IS CONFIDENTIAL AND IS LOANED FOR MUTUAL ASSISTANCE. IT IS NOT TO BE FORWARDED TO OTHER PARTIES NOR REPRINTED IN ANY FORM WITHOUT OUR WRITTEN PERMISSION.

0181-015-000	#8-32 UNC	3/8"
0181-016-000	3/8"-16 UNC	1"
PART NUMBER	THREAD	LENGTH



1-MATL: TYPE 300 SERIES STAINLESS STEEL

 ACORN ENGINEERING COMPANY
P.O. BOX 3527 INDUSTRY, CA. 91744
(626) 336-4561 FAX (626) 961-2200

TITLE SLOTTED CUP POINT SET SCREW		MATERIAL TYPE BASE PART	
JOB OR SECTION <i>M/C MACHINE SCREWS</i>		DRAWING NUMBER 0181-015-000 THRU 0181-016-000	
SCALE 8X	DATE 6-30-88	DRN. BY R.F.T.	ENGINEERING CHANGE NO.
ECO REVISION	REV. DATE	MATERIAL GROUP	

TOLERANCES: UNLESS OTHERWISE NOTED, DECIMAL DIMENSIONS .XXX=+/-0.005, .XX=+/-0.015, BREAK ALL SHARP CORNERS, ALL RADII MINIMUM