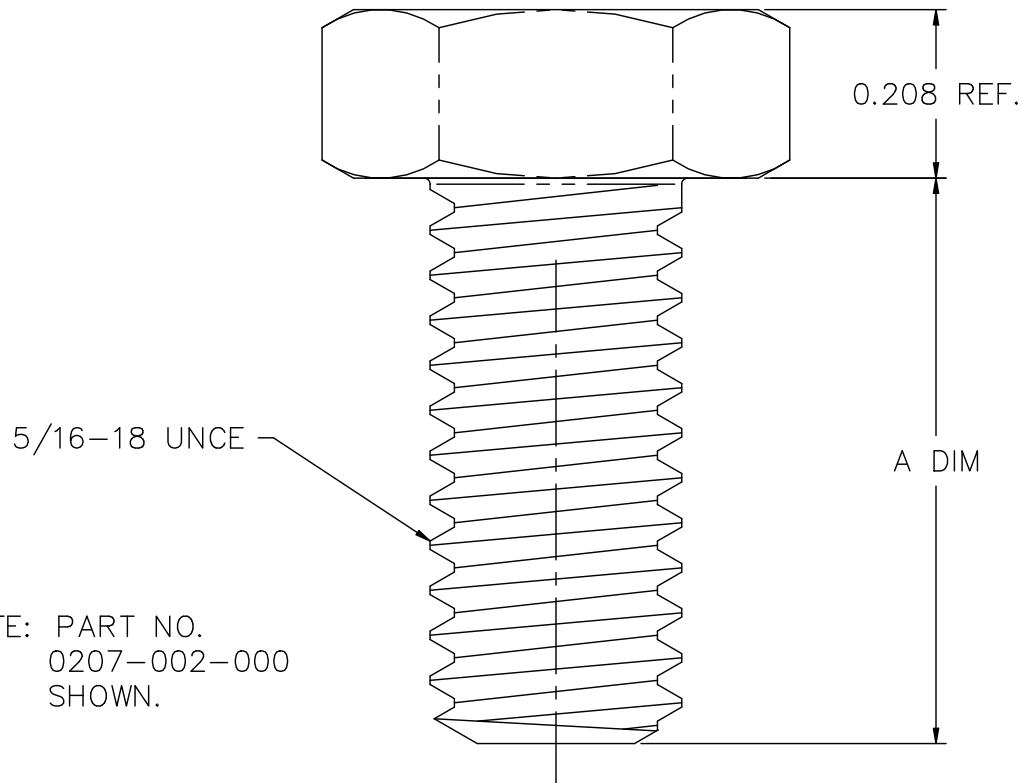
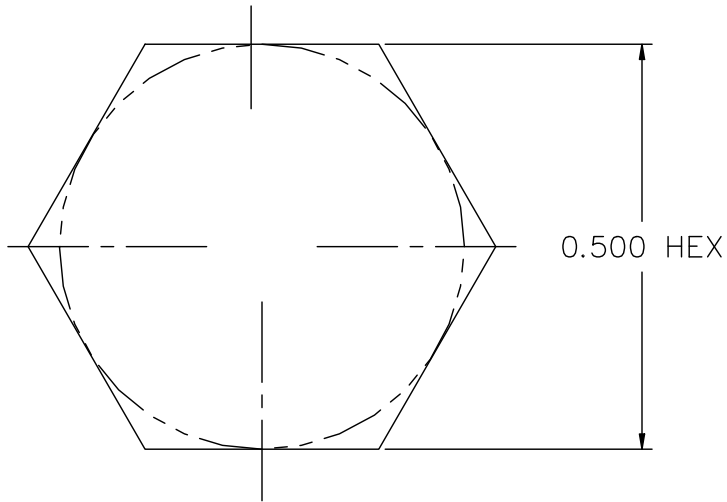



	0207-012-000	2.500	5/16-18 UNC SWIVETTE
SOLIDWORKS	0207-011-000	2.000	5/16-18 UNC SWIVETTE
SOLIDWORKS	0207-010-000	1.250	5/16-18 UNC SWIVETTE
	0207-009-000	3.000	1/2-13 UNC SWIVETTE
SOLIDWORKS	0207-008-000	1.500	1/2-13 UNC SWIVETTE
	0207-006-000	1.000	1/2-13 UNC
	0207-005-000	1.250	1/2-13 UNC LGG
	0207-003-000	0.750	5/16-18 UNC CO,FORT STATIONS
	0207-002-000	0.625	5/16-18 UNC
	PART NUMBER	A DIM	DESCRIPTION



2-NOTE: PART NO.  
0207-002-000  
SHOWN.

MAT'L: CAD PLATED STEEL

 ACORN ENGINEERING COMPANY P.O. BOX 3527 INDUSTRY, CA. 91744 (626) 336-4561 FAX (626) 961-2200	TITLE HEX HEAD CAP SCREW / CAD PLATED				MATERIAL TYPE HALB		
	JOB OR SECTION <i>M/C MACHINE SCREWS</i>				DRAWING NUMBER 0207-013-000 thru 0207-002-000		
	SCALE 4X	DATE 2/6/89	DRN. BY DM	ENGINEERING CHANGE NO.	ECO REVISION B	REV. DATE 9-2-94	MATERIAL GROUP