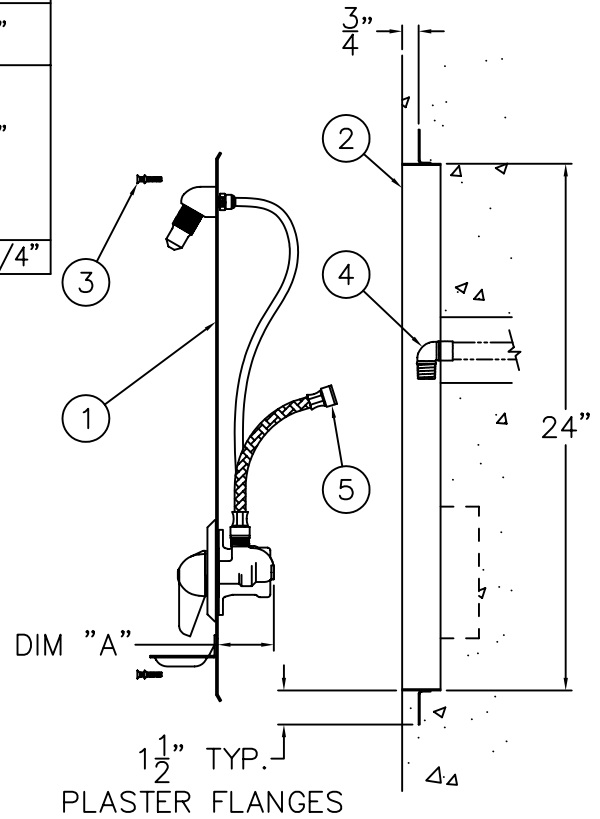
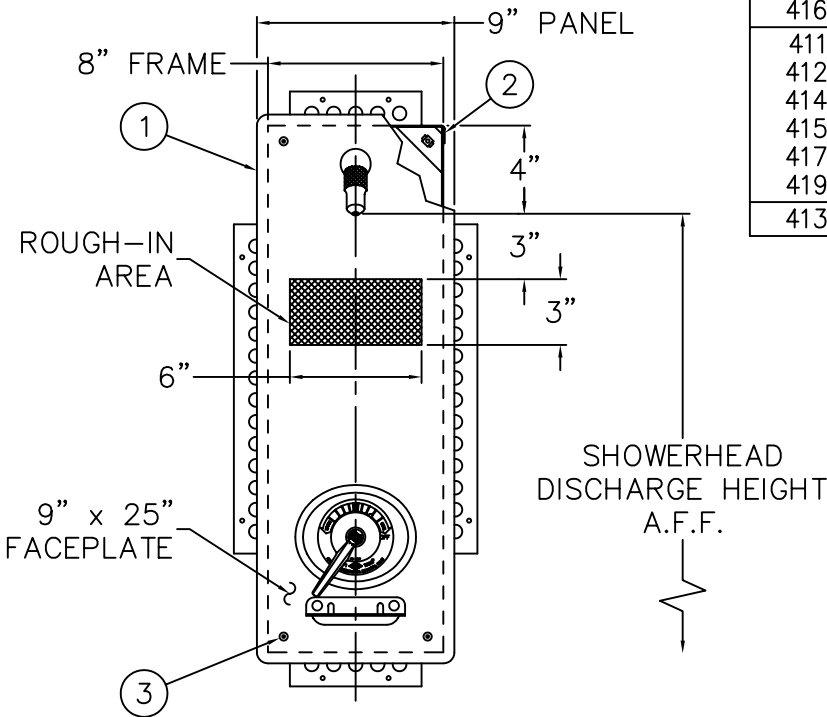




REFERENCE DRAWINGS			
ASSEMBLIES		PANEL MOUNTING FASTENERS	
SHOWERHEAD	9970-122-001	TINNERMAN NUT	9951-007-001
STANDARD NOZZLE	9970-101-004	PANEL SCREW	9951-005-001
SAFTI-TROL VALVE	9975-032-001	AIR-CONTROL VALVE	
CARTRIDGES		VALVE BODY	9975-090-001
FLO-CLOZ	9975-000-001	METERING SERVOMOTOR	9955-000-002
METER-MATIC	9975-020-003	CHECKSTOP/STRAINER	9956-040-003
SAFTI-TROL (SHOWN)	9975-030-001	PUSHBUTTON/ESCUTCHEON	9957-300-001

VALVE DEPTH

MODELS	DIM "A"
410	4"
416	
411	3"
412	
414	
415	
417	
419	
413	3-1/4"



INSTALLATION INSTRUCTIONS:

- A-DISASSEMBLE SHOWER PANEL ASSEMBLY (1) FROM WALL MOUNTING FRAME (2) BY REMOVING VANDAL-RESISTANT SCREWS (3) FROM THE FACEPLATE.
- B-INSTALL MOUNTING FRAME (2) AT DESIRED HEIGHT WITH FRAME FACE FLUSH WITH FINISHED WALL. BLOCKOUT FOR VALVE DEPTH REFERENCING DIM "A".
- C-PROVIDE SUPPLY ROUGH-IN(S) (4) IN THE AREA INDICATED. THOROUGHLY FLUSH SUPPLY LINES.
- D-MAKE-UP SUPPLY CONNECTIONS TO 1/2" NPS FLEX HOSE FEMALE ENDS (5) WHILE SUPPORTING PANEL OFF THE FLOOR. (NOTE: SUPPLY INLET CONNECTION WILL ACCOMMODATE 1/2" NPT MALE ADAPTER.)

*** NOTE:** INSTALLER MUST PROVIDE CHECKSTOPS WITH SAFTI-THERM VALVES IF OPTIONAL -GX CHECKSTOPS NOT ORDERED FROM ACORN.

- E- ASSEMBLE THE SHOWER PANEL (1) TO MOUNTING FRAME (2) USING SCREWS (3) PROVIDED.

NOTE: MAXIMUM RECOMMENDED WORKING PRESSURE IS 100PSI; TEMPERATURE IS 130°F; OUTLET TEMPERATURE IS RECOMMENDED AT A MAXIMUM OF 105°F.

WARNING: PRIOR TO MAKING INSTALLATION, SUPPLY LINES MUST BE FLUSHED OF ALL FOREIGN MATERIAL SUCH AS PIPE DOPE, CHIPS, SOLDER, ETC. VALVE MUST BE DRAINED PRIOR TO BEING SUBJECTED TO FREEZING TEMPERATURES.

<p>ACORN ENGINEERING COMPANY P.O. BOX 3527 INDUSTRY, CA. 91744 (626) 336-4561 FAX (626) 961-2200</p>	<p>TITLE APEX FLUSH MOUNTED SHOWER (410 SERIES)</p>		
	<p>MANUFACTURE DATE</p> <p>APRIL 2003</p> <p>TO PRESENT</p>	<p>DATE ISSUED</p> <p>04/03/03</p> <p>DATE REVISED</p> <p>02/13/07</p>	<p>DRAWING NUMBER</p> <p>9900-000-002</p>