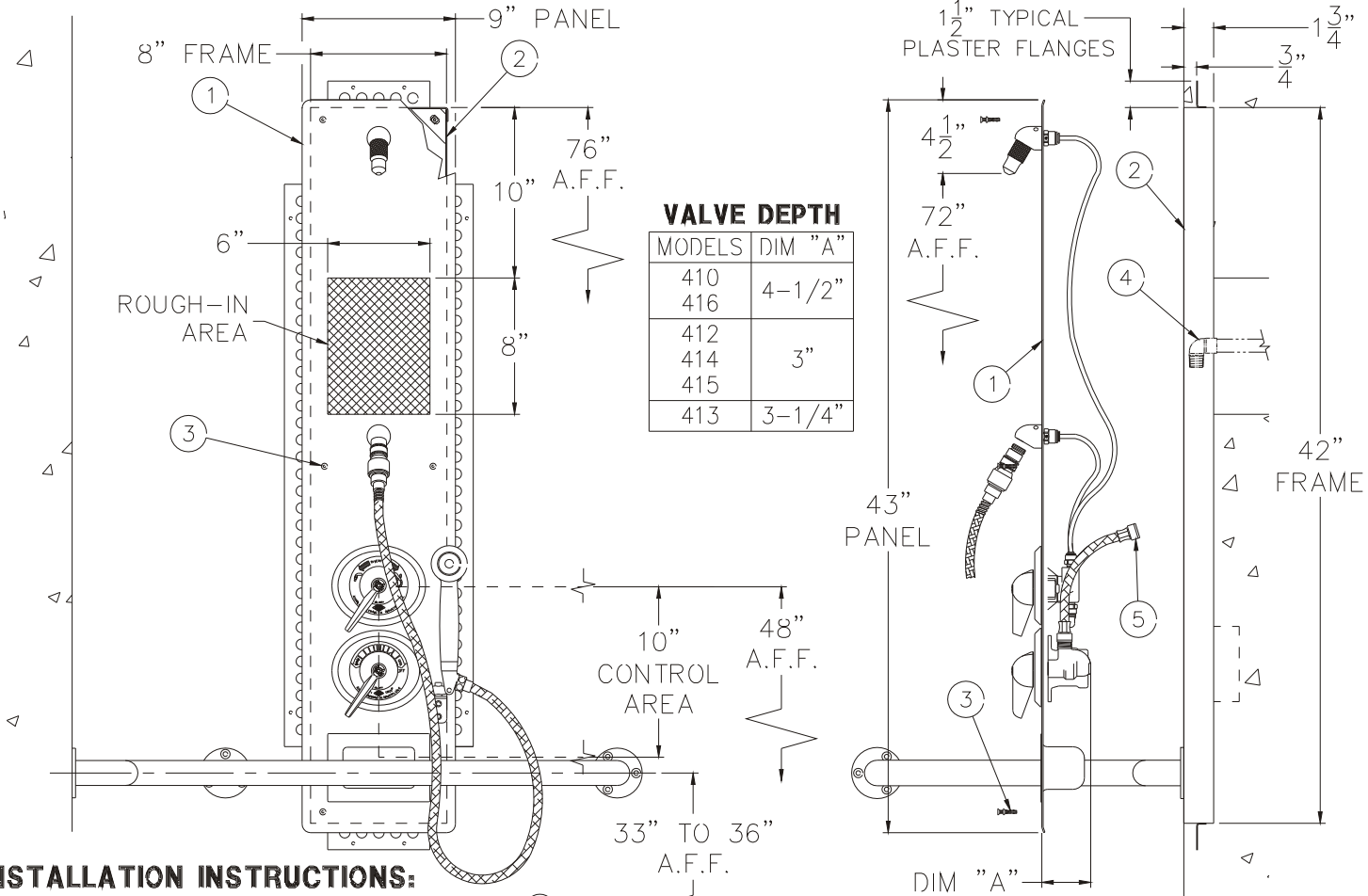




REFERENCE DRAWINGS				AIR-CONTROL VALVE	
SHOWER HEAD	9970-122-001	FLEX SHOWERHEAD	9970-102-003	VALVE BODY	9975-090-001
NOZZLE	9970-101-004	SAFTI-TROL VALVE	9975-032-001	METERING SERVOMOTOR	9955-000-002
HANDICAP SEAT	9900-350-001	CARTRIDGES		CHECKSTOP/STRAINER	9956-040-003
GLIDE RAIL	9970-103-001	SAFTI-TROL	9975-030-001	PUSHBUTTON/ESCUTCHEON	9957-300-001
DIVERTER	9975-080-001	FLO-CLOZ	9975-000-001		

NOTE: REFER TO ADA ACCESSIBILITY GUIDELINES FOR COMPLETE INSTALLATION REQUIREMENTS.



INSTALLATION INSTRUCTIONS:

- A-DISASSEMBLE SHOWER PANEL ASSEMBLY ① FROM WALL MOUNTING FRAME ② BY REMOVING VANDAL-RESISTANT SCREWS ③ FROM THE FACEPLATE.
- B-INSTALL MOUNTING FRAME ②. FRAME TOP MUST BE AT 76" ABOVE THE FINISHED FLOOR WITH THE FRAME FACE FLUSH WITH FINISHED WALL. BLOCKOUT FOR THE VALVE DEPTH REFERENCING DIM "A".
- C-PROVIDE SUPPLY ROUGH-IN(S) ④ IN THE AREA INDICATED. THOROUGHLY FLUSH SUPPLY LINES.
- D-MAKE-UP SUPPLY CONNECTIONS TO 1/2" NPS FLEX HOSE FEMALE ENDS ⑤ WHILE SUPPORTING PANEL OFF THE FLOOR. (NOTE: SUPPLY INLET CONNECTION WILL ACCOMMODATE 1/2" NPT MALE ADAPTER.)

*** NOTE:** INSTALLER MUST PROVIDE CHECKSTOPS WITH SAFTI-THERM VALVES IF OPTIONAL -GX CHECKSTOPS NOT ORDERED FROM ACORN.

- E-ASSEMBLE THE SHOWER PANEL ① TO MOUNTING FRAME ② USING SCREWS ③ PROVIDED.

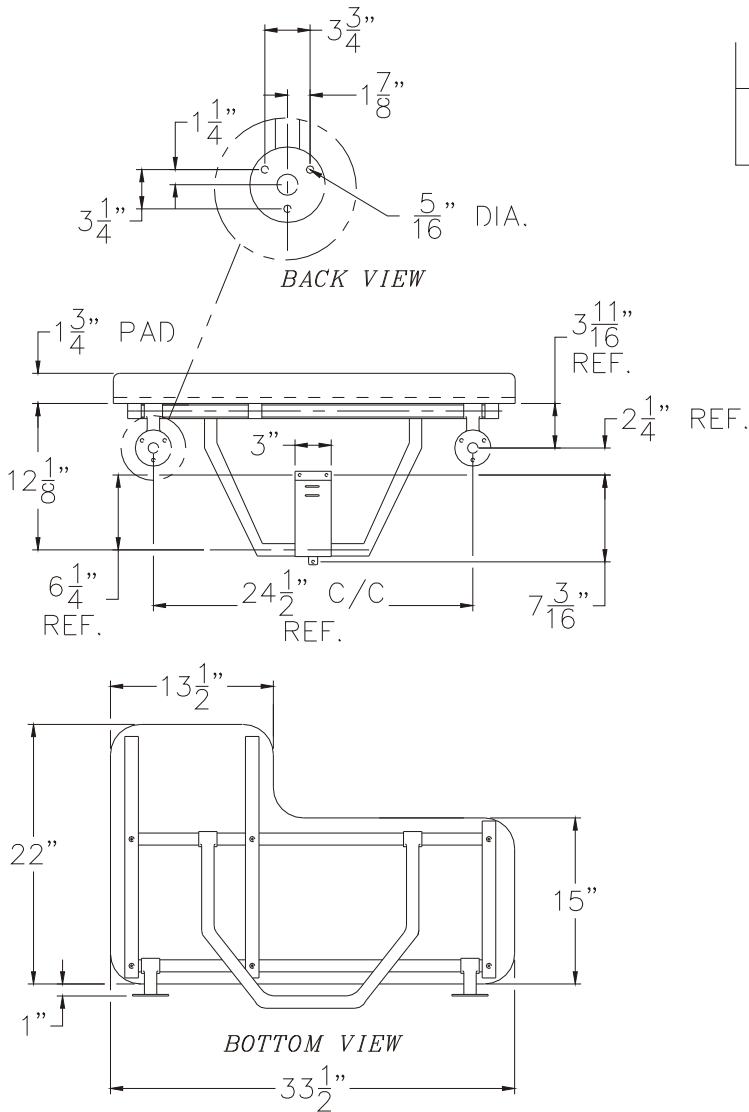
NOTE:

MAXIMUM RECOMMENDED WORKING PRESSURE IS 100PSI; TEMPERATURE IS 130°F; OUTLET TEMPERATURE IS RECOMMENDED AT A MAXIMUM OF 105°F.

WARNING:

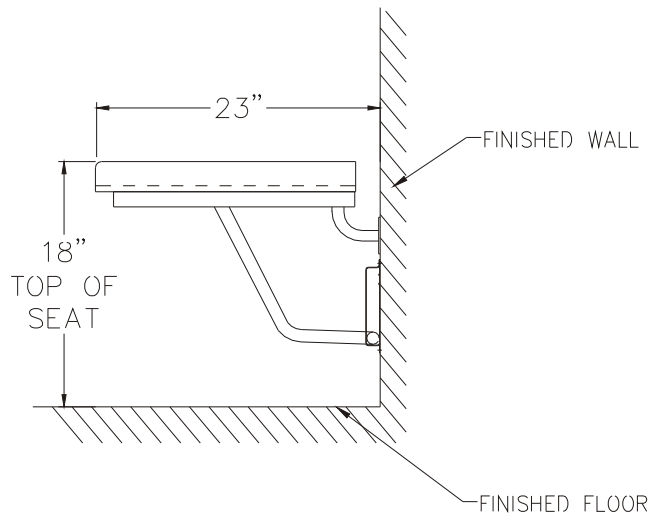
PRIOR TO MAKING INSTALLATION, SUPPLY LINES MUST BE FLUSHED OF ALL FOREIGN MATERIAL SUCH AS PIPE DOPE, CHIPS, SOLDER, ETC. VALVE MUST BE DRAINED PRIOR TO BEING SUBJECTED TO FREEZING TEMPERATURES.

<p>ACORN ENGINEERING COMPANY P.O. BOX 3527 INDUSTRY, CA. 91744 (626) 336-4561 FAX (626) 961-2200</p>	<p>TITLE APEX FLUSH MOUNTED ADA SHOWER - CAT. #410-BF SERIES</p>	
	<p>MANUFACTURE DATE SEPTEMBER 2001 TO PRESENT</p>	<p>DATE ISSUED 07/01/03</p> <p>DATE REVISED</p>



REFERENCE DRAWING	
SEAT MOUNTING TO -RP REINFORCED PANEL	9900-351-001

NOTE: FOR FOLDING SEAT WITH STAINLESS STEEL COVER ORDER USING PART NUMBER #1103 -31 FOR LEFT HAND / -32 FOR RIGHT HAND. INSTALLATION IS SAME AS STANDARD.



#1103-11 LEFT HAND MODEL SHOWN
#1103-12 RIGHT HAND OPPOSITE

INSTALLATION INSTRUCTIONS:

- A- CONSULT LOCAL CODES FOR REQUIRED SEAT HEIGHT. RECOMMENDED SEAT HEIGHT IS 18" ABOVE FLOOR.
- B- USING SEAT FRAME AS TEMPLATE MARK HOLES ON WALL OR PANEL FOR UPPER AND LOWER MOUNTING. FLANGES. (DO NOT ROTATE SUPPORT LEG ASSEMBLY UNTIL INSTALLATION IS COMPLETE.)
- C- FOR TILE WALL, DRILL 1/4" DIA. HOLES IN WALL AND INSERT EXPANSION PLUGS (PROVIDED BY OTHERS.) IF SEAT IS TO BE MOUNTED ON WOOD BACKNG OR A REINFORCED PRIVICY PANEL (FROM ACORN) USE SCREWS ONLY (PROVIDED BY OTHERS.)
- D- THE SEAT IS PROPERLY INSTALLED IF IT FOLDS UP AND DOWN FREELY, YET IT STAYS IN "UP" POSITION WITHOUT ASSISTANCE.

E-MOUNTING TO ACORN STAINLESS STEEL PRIVACY PANEL,

PANEL IS TAGGED FOR REINFORCMENT. PANEL SHOULD MOUNT 1/2" ABOVE FLOOR PADDED SEAT SHOULD BE MOUNTED (WITH EQUAL DISTANCE TO EITHER SIDE OF PANEL.)(REFER TO PANEL REINFORCEMENT DETAIL WITH JOB INSTALLATION INSTRUCTIONS FOR SPECIAL SIZE PANELS.) STANDARD PANEL WITDH IS 34".

- F- RECOMMENDED FASTENERS FOR SEAT TO PANEL ARE #14 SLOTTED FLAT HEAD S.S. WOOD SCREWS (BY OTHERS.)

IMPORTANT: THIS SHOWER SEAT IS MANUFACTURED TO CURRENT CODE REQUIREMENTS FOR SUPPORT OF 250 LBS. WALL BACKING IS RECOMMENDED BEHIND MOUNTING POINTS.



TITLE FOLDING PADDED SEAT CATALOG * 1103 SERIES (A.D.A.)		
MANUFACTURE DATE JANUARY 1, 1980 TO PRESENT	DATE ISSUED 04/07/93	DRAWING NUMBER 9900-350-001
	DATE REVISED 10/24/02	