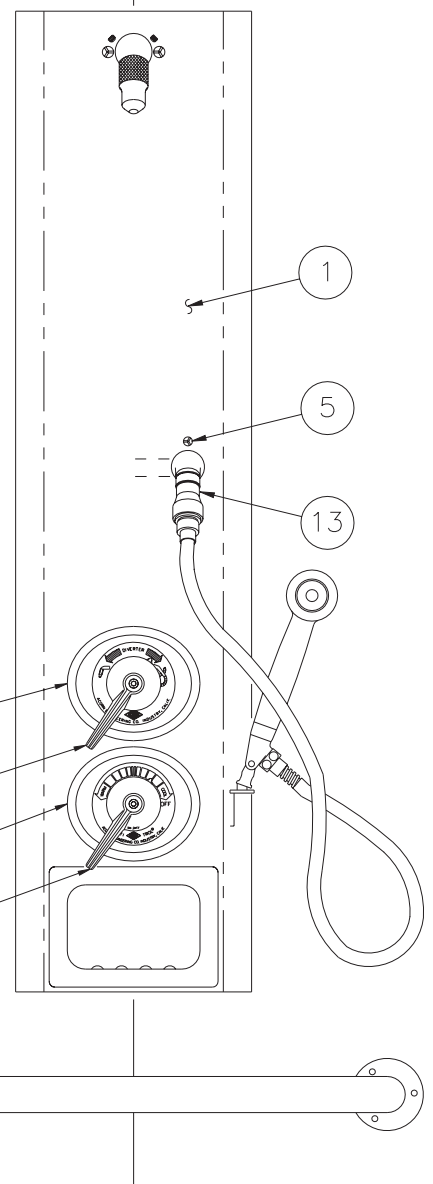


REFERENCE DRAWINGS	
ASSEMBLIES	NUMBERS
SHOWERHEAD	9970-120-003
NOZZLE	9970-101-004
FLEX SHOWERHEAD	9970-102-003
SAFTI-TROL VALVE	9975-032-001
DIVERTER	9975-080-001
FASTENERS	9951-005-001
CARTRIDGES	
FLO-CLOZ	9975-000-001
SAFTI-TROL	9975-030-001
METER-MATIC	9975-020-003
AIR-CONTROL	
VALVE BODY	9975-090-001
CHECKSTOP/STRAINER	9956-040-003
METERING SERVOMOTOR	9955-000-002
PUSHBUTTON/ESCUTCHEON	9957-300-001



NOTE: INSTALLER MUST PROVIDE CHECKSTOPS WITH SAFTI-THERM VALVES IF OPTIONAL -GX CHECKSTOPS NOT ORDERED FROM ACORN.

INSTALLATION INSTRUCTIONS

- A- DISASSEMBLY: REMOVE SHOWER HOUSING ① FROM WALL FRAME & PIPING ASSEMBLY ②. THIS IS DONE BY REMOVING THE (2) SET SCREWS ③ FROM THE SHOWER HEAD ④ & REMOVING THE SHOWER HEAD. REPEAT THIS PROCEDURE FOR HAND HELD SHOWER ⑬. THEN REMOVE THE (2) SCREWS ⑤ ADJACENT TO EACH SHOWER HEAD. NEXT, REMOVE SAFTI-TROL HANDLE ⑥, CARTRIDGE ⑦ AND ESCUTCHEON ⑧. REMOVE DIVERTER HANDLE ⑨ AND ESCUTCHEON ⑫.
- B- ATTACH PIPING ASSEMBLY ② TO THE WALL; FASTENERS ARE NOT SUPPLIED BY ACORN.

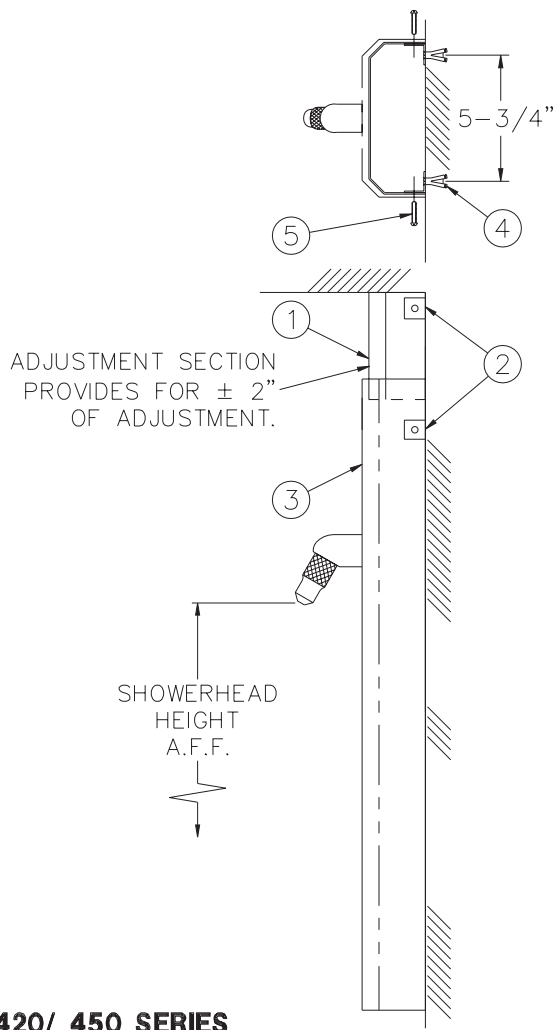
- C- MAKE 1/2" NCT SUPPLY CONNECTIONS ⑪. FLUSH SUPPLY LINES ⑩.
- D- ATTACH SHOWER HOUSING ① TO WALL FRAME & PIPING ASSEMBLY ②. REINSTALL SAFTI-TROL CARTRIDGE ⑦ ESCUTCHEONS ⑧ & ⑫, HANDLES ⑥ & ⑨ AND BOTH SHOWER HEADS ④ & ⑬.
- E- MOUNT GRAB BAR ⑭ AS WALL CONDITIONS REQUIRE USING SPAN-SLOT SCREWS PROVIDED.

<p>ACORN ENGINEERING COMPANY P.O. BOX 3527 INDUSTRY, CA. 91744 (626) 336-4561 FAX (626) 961-2200</p>	<p>TITLE APEX #420 CORNER MOUNTED HANDICAPPED SHOWERS</p>		
	<p>MANUFACTURE DATE MARCH 1980 TO PRESENT</p>	<p>DATE ISSUED 12/01/89</p>	<p>DRAWING NUMBER 9900-050-001</p>
		<p>DATE REVISED 10/16/02</p>	



IMPORTANT!

WALL ANCHORS AND ANCHORING HARDWARE ARE BY OTHERS.



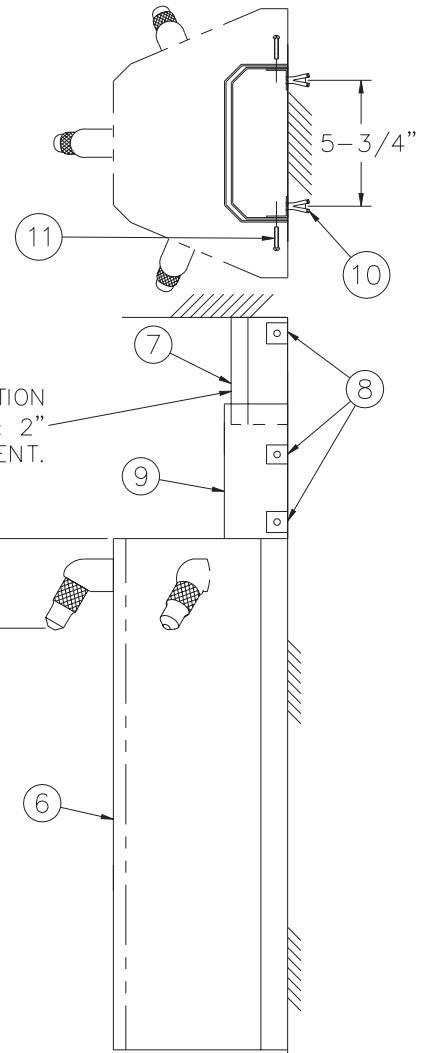
420/ 450 SERIES

INSTALLATION INSTRUCTIONS (420/450 SERIES)

AFTER COMPLETION OF TOP SUPPLY ROUGH-INS:

- A- POSITION ADJUSTMENT SECTION ① UP TO CEILING. USING ADJUSTMENT SECTION AS A TEMPLATE, MARK POSITION FOR L-CLIPS ②.
- B- FOLLOWING THE APPROPRIATE FIXTURE INSTALLATION INSTRUCTIONS, USE EXTENDED HOUSING ③ AS A TEMPLATE TO MARK POSITIONS FOR L-CLIPS ②.
- C- INSTALL WALL ANCHORS ④ (BY OTHERS) FOR L-CLIPS. POSITION L-CLIPS ② WITH CAGE NUT FACING OUTWARD FOR ATTACHMENT OF HOUSING AND FASTEN TO WALL (WALL FASTENERS BY OTHERS).
- D- ASSEMBLE ADJUSTMENT SECTION ① TO L-CLIPS USING #10-32 SCREWS ⑤ PROVIDED.
- E- COMPLETE FIXTURE INSTALLATION WITH HOUSING ② OVER ADJUSTMENT SECTION ①.

NOTE: FOR 420 SERIES SHOWERS (NOT SHOWN), CEILING ADJUSTMENT SECTION ASSEMBLES OVER HOUSING.



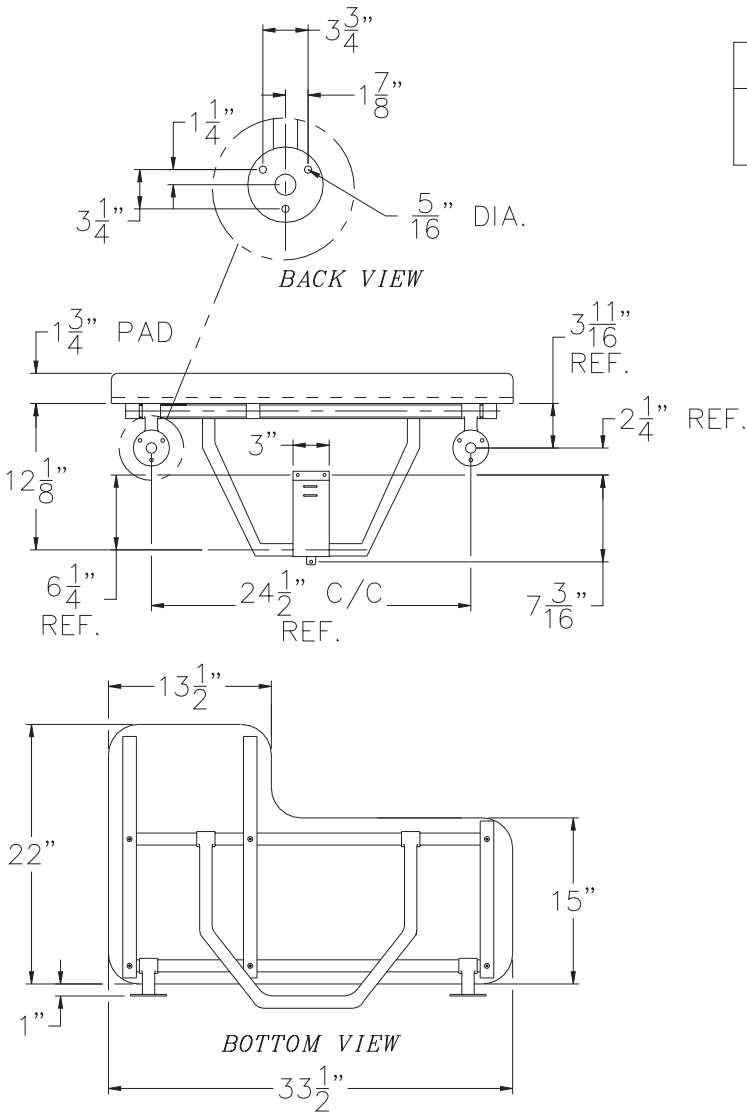
460/ 470 SERIES

INSTALLATION INSTRUCTIONS (460/470 SERIES)

AFTER COMPLETION OF TOP SUPPLY ROUGH-INS:

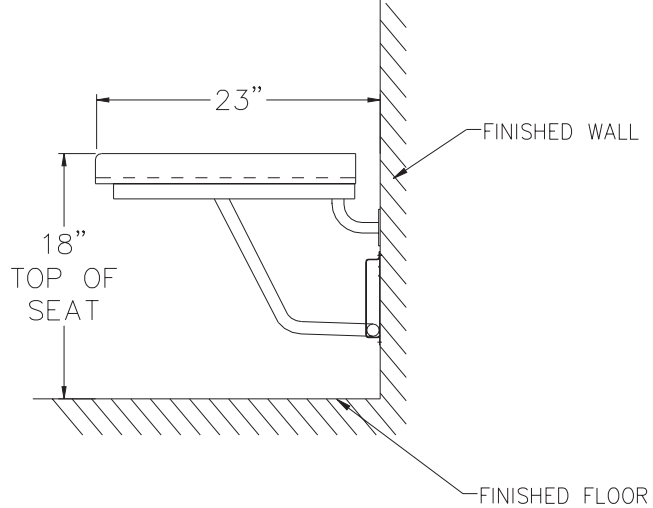
- A- MOUNT HOUSING ⑥ TO WALL PER APPROPRIATE FIXTURE INSTALLATION INSTRUCTIONS.
- B- POSITION ADJUSTMENT SECTION ⑦ UP TO CEILING. USING ADJUSTMENT SECTION AS A TEMPLATE, MARK POSITION FOR L-CLIPS ⑧.
- C- POSITION SUPPLY COVER ⑨ AND USE AS A TEMPLATE TO MARK POSITION FOR L-CLIPS ⑧.
- D- INSTALL WALL ANCHORS ⑩ (BY OTHERS) FOR L-CLIPS. POSITION L-CLIPS ⑧ WITH CAGE NUT FACING OUTWARD FOR ATTACHMENT OF HOUSING AND FASTEN TO WALL (WALL FASTENERS BY OTHERS).
- E- ASSEMBLE ADJUSTMENT SECTION ⑦ TO L-CLIPS USING #10-32 SCREWS ⑪ PROVIDED.
- F- ASSEMBLE SUPPLY COVER ⑨ TO L-CLIPS USING #10-32 SCREWS ⑪ PROVIDED.

<p>ACORN ENGINEERING COMPANY P.O. BOX 3527 INDUSTRY, CA. 91744 (626) 336-4561 FAX (626) 961-2200</p>	<p>TITLE APEX OPTION -SC SUPPLY COVER for MODEL #420, #450, #460 & #470</p>	
	<p>MANUFACTURE DATE JULY 1969 TO PRESENT</p>	<p>DATE ISSUED 10/05/92</p> <p>DATE REVISED 06/22/04</p>



REFERENCE DRAWING	
SEAT MOUNTING TO -RP REINFORCED PANEL	9900-351-001

NOTE: FOR FOLDING SEAT WITH STAINLESS STEEL COVER ORDER USING PART NUMBER #1103 -31 FOR LEFT HAND / -32 FOR RIGHT HAND. INSTALLATION IS SAME AS STANDARD.



#1103-11 LEFT HAND MODEL SHOWN
 #1103-12 RIGHT HAND OPPOSITE

INSTALLATION INSTRUCTIONS:

- A- CONSULT LOCAL CODES FOR REQUIRED SEAT HEIGHT. RECOMMENDED SEAT HEIGHT IS 18" ABOVE FLOOR.
- B- USING SEAT FRAME AS TEMPLATE MARK HOLES ON WALL OR PANEL FOR UPPER AND LOWER MOUNTING. FLANGES. (DO NOT ROTATE SUPPORT LEG ASSEMBLY UNTIL INSTALLATION IS COMPLETE.)
- C- FOR TILE WALL, DRILL $1/4$ " DIA. HOLES IN WALL AND INSERT EXPANSION PLUGS (PROVIDED BY OTHERS.) IF SEAT IS TO BE MOUNTED ON WOOD BACKNG OR A REINFORCED PRIVICY PANEL (FROM ACORN) USE SCREWS ONLY (PROVIDED BY OTHERS.)
- D- THE SEAT IS PROPERLY INSTALLED IF IT FOLDS UP AND DOWN FREELY, YET IT STAYS IN "UP" POSITION WITHOUT ASSISTANCE.

E-MOUNTING TO ACORN STAINLESS STEEL PRIVACY PANEL,

PANEL IS TAGGED FOR REINFORCMENT. PANEL SHOULD MOUNT $1/2$ " ABOVE FLOOR PADDED SEAT SHOULD BE MOUNTED (WITH EQUAL DISTANCE TO EITHER SIDE OF PANEL.)(REFER TO PANEL REINFORCMENT DETAIL WITH JOB INSTALLATION INSTRUCTIONS FOR SPECIAL SIZE PANELS.) STANDARD PANEL WITDH IS 34".

F- RECOMMENDED FASTENERS FOR SEAT TO PANEL ARE #14 SLOTTED FLAT HEAD S.S. WOOD SCREWS (BY OTHERS.)

IMPORTANT: THIS SHOWER SEAT IS MANUFACTURED TO CURRENT CODE REQUIREMENTS FOR SUPPORT OF 250 LBS. WALL BACKING IS RECOMMENDED BEHIND MOUNTING POINTS.

<p>ACORN ENGINEERING COMPANY P.O. BOX 3527 INDUSTRY, CA. 91744 (626) 336-4561 FAX (626) 961-2200</p>	TITLE FOLDING PADDED SEAT CATALOG * 1103 SERIES (A.D.A.)		
	MANUFACTURE DATE JANUARY 1, 1980 TO PRESENT	DATE ISSUED 04/07/93	DRAWING NUMBER 9900-350-001
		DATE REVISED 10/24/02	