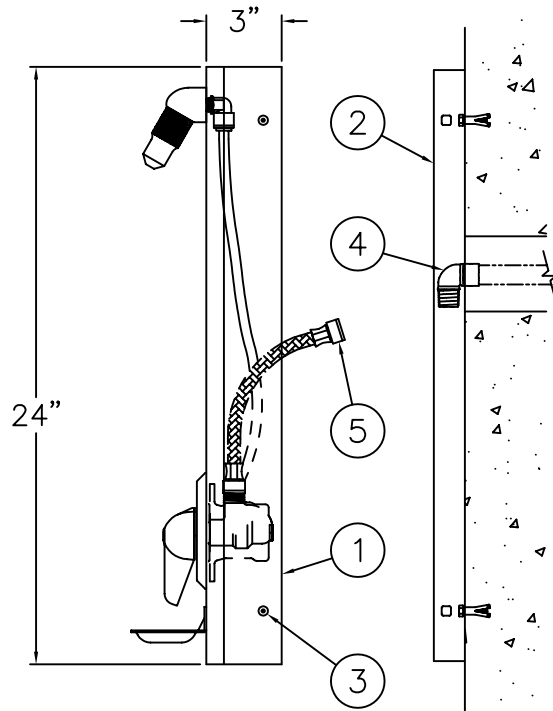
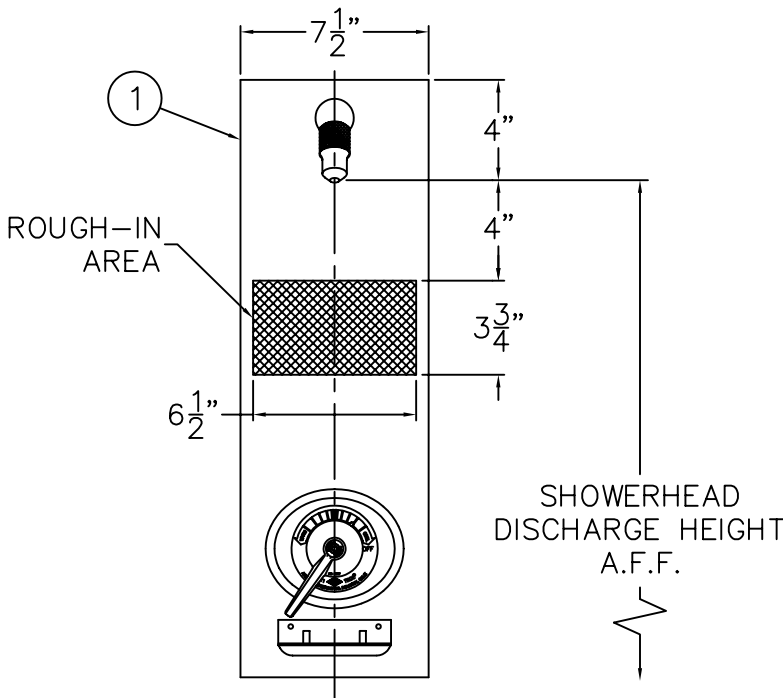
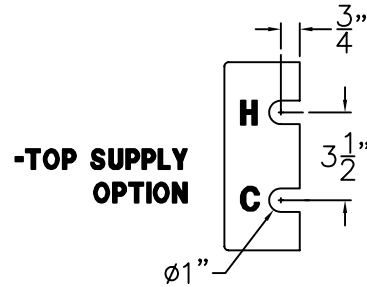




REFERENCE DRAWINGS			
ASSEMBLIES		PANEL MOUNTING FASTENERS	
SHOWERHEAD	9970-122-001	TINNERMAN NUT	9951-007-001
STANDARD NOZZLE	9970-101-004	PANEL SCREW	9951-005-001
SAFTI-TROL VALVE	9975-032-001		
CARTRIDGES			
FLO-CLOZ	9975-000-001		
METER-MATIC	9975-020-003		
SAFTI-TROL (SHOWN)	9975-030-001		



INSTALLATION INSTRUCTIONS:

- A—DISASSEMBLE SHOWER PANEL ASSEMBLY ① FROM WALL MOUNTING FRAME ② BY REMOVING VANDAL-RESISTANT SCREWS ③ FROM THE FACEPLATE.
- B—INSTALL MOUNTING FRAME ② AT DESIRED HEIGHT AND ANCHOR FRAME TO WALL USING HARDWARE BY OTHERS.
- C—PROVIDE SUPPLY ROUGH-IN(S) ④ IN THE AREA INDICATED. THOROUGHLY FLUSH SUPPLY LINES.
- D—MAKE-UP SUPPLY CONNECTIONS TO 1/2" NPS FLEX HOSE FEMALE ENDS ⑤ WHILE SUPPORTING PANEL OFF THE FLOOR. (NOTE: SUPPLY INLET CONNECTION WILL ACCOMMODATE 1/2" NPT MALE ADAPTER.)

* **NOTE:** INSTALLER MUST PROVIDE CHECKSTOPS WITH SAFTI-THERM VALVES IF OPTIONAL -GX CHECKSTOPS NOT ORDERED FROM ACORN.

- E— ASSEMBLE THE SHOWER PANEL ① TO MOUNTING FRAME ② USING SCREWS ③ PROVIDED.

NOTE: MAXIMUM RECOMMENDED WORKING PRESSURE IS 100PSI; TEMPERATURE IS 130°F; OUTLET TEMPERATURE IS RECOMMENDED AT A MAXIMUM OF 105°F.

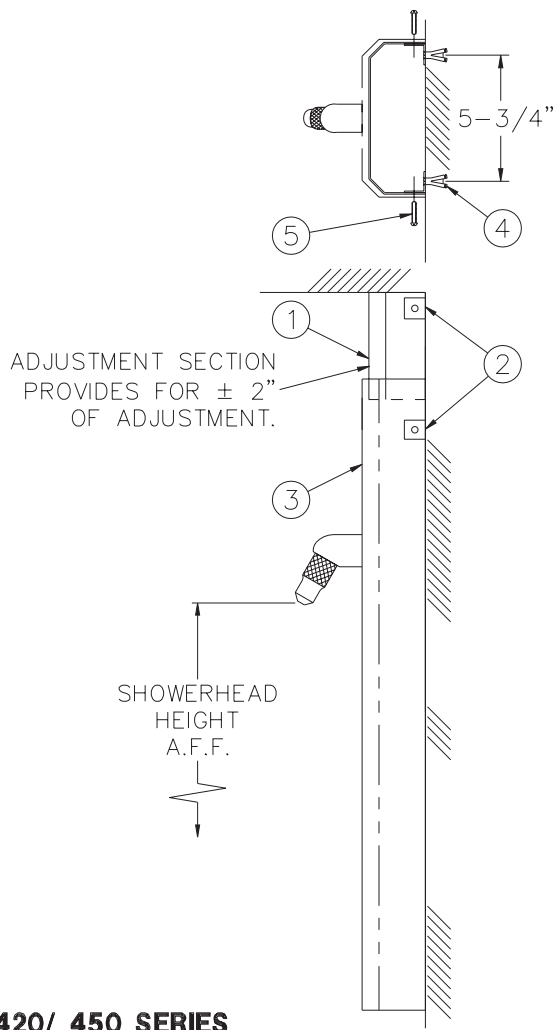
WARNING: PRIOR TO MAKING INSTALLATION, SUPPLY LINES MUST BE FLUSHED OF ALL FOREIGN MATERIAL SUCH AS PIPE DOPE, CHIPS, SOLDER, ETC. VALVE MUST BE DRAINED PRIOR TO BEING SUBJECTED TO FREEZING TEMPERATURES.

ACORN ENGINEERING COMPANY P.O. BOX 3527 INDUSTRY, CA. 91744 (626) 336-4561 FAX (626) 961-2200	TITLE APEX SURFACE MOUNTED SHOWER (450 SERIES)		
	MANUFACTURE DATE MARCH 2003 TO PRESENT	DATE ISSUED 04/03/03	DRAWING NUMBER 9900-005-002
	DATE REVISED 07/06/06		



IMPORTANT!

WALL ANCHORS AND ANCHORING HARDWARE ARE BY OTHERS.



420/ 450 SERIES

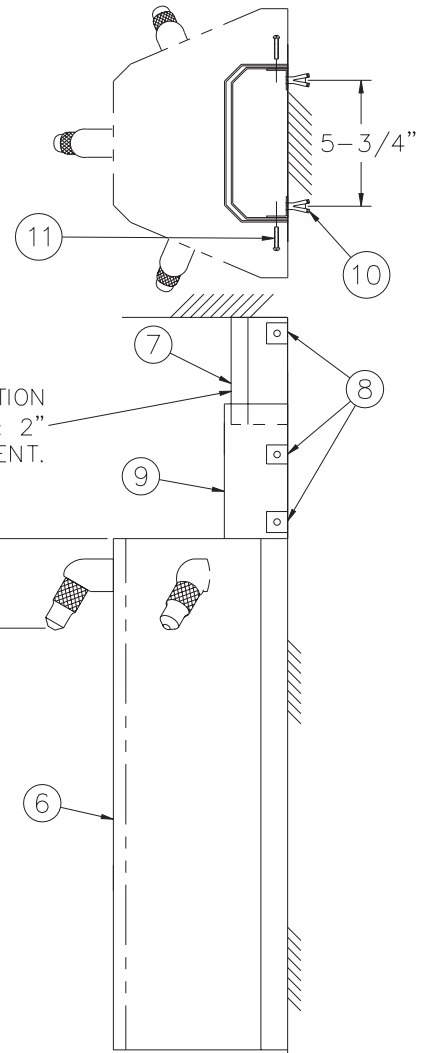
INSTALLATION INSTRUCTIONS (420/450 SERIES)

AFTER COMPLETION OF TOP SUPPLY ROUGH-INS:

- A- POSITION ADJUSTMENT SECTION ① UP TO CEILING. USING ADJUSTMENT SECTION AS A TEMPLATE, MARK POSITION FOR L-CLIPS ②.
- B- FOLLOWING THE APPROPRIATE FIXTURE INSTALLATION INSTRUCTIONS, USE EXTENDED HOUSING ③ AS A TEMPLATE TO MARK POSITIONS FOR L-CLIPS ②.
- C- INSTALL WALL ANCHORS ④ (BY OTHERS) FOR L-CLIPS. POSITION L-CLIPS ② WITH CAGE NUT FACING OUTWARD FOR ATTACHMENT OF HOUSING AND FASTEN TO WALL (WALL FASTENERS BY OTHERS).
- D- ASSEMBLE ADJUSTMENT SECTION ① TO L-CLIPS USING #10-32 SCREWS ⑤ PROVIDED.
- E- COMPLETE FIXTURE INSTALLATION WITH HOUSING ② OVER ADJUSTMENT SECTION ①.

NOTE: FOR 420 SERIES SHOWERS (NOT SHOWN), CEILING ADJUSTMENT SECTION ASSEMBLES OVER HOUSING.

SHOWERHEAD HEIGHT A.F.F.



460/ 470 SERIES

INSTALLATION INSTRUCTIONS (460/470 SERIES)

AFTER COMPLETION OF TOP SUPPLY ROUGH-INS:

- A- MOUNT HOUSING ⑥ TO WALL PER APPROPRIATE FIXTURE INSTALLATION INSTRUCTIONS.
- B- POSITION ADJUSTMENT SECTION ⑦ UP TO CEILING. USING ADJUSTMENT SECTION AS A TEMPLATE, MARK POSITION FOR L-CLIPS ⑧.
- C- POSITION SUPPLY COVER ⑨ AND USE AS A TEMPLATE TO MARK POSITION FOR L-CLIPS ⑧.
- D- INSTALL WALL ANCHORS ⑩ (BY OTHERS) FOR L-CLIPS. POSITION L-CLIPS ⑧ WITH CAGE NUT FACING OUTWARD FOR ATTACHMENT OF HOUSING AND FASTEN TO WALL (WALL FASTENERS BY OTHERS).
- E- ASSEMBLE ADJUSTMENT SECTION ⑦ TO L-CLIPS USING #10-32 SCREWS ⑪ PROVIDED.
- F- ASSEMBLE SUPPLY COVER ⑨ TO L-CLIPS USING #10-32 SCREWS ⑪ PROVIDED.

4" REF

<p>ACORN ENGINEERING COMPANY P.O. BOX 3527 INDUSTRY, CA. 91744 (626) 336-4561 FAX (626) 961-2200</p>	<p>TITLE APEX OPTION -SC SUPPLY COVER for MODEL #420, #450, #460 & #470</p>	
	<p>MANUFACTURE DATE</p> <p>JULY 1969</p> <p>TO PRESENT</p>	<p>DATE ISSUED</p> <p>10/05/92</p> <p>DATE REVISED</p> <p>06/22/04</p>