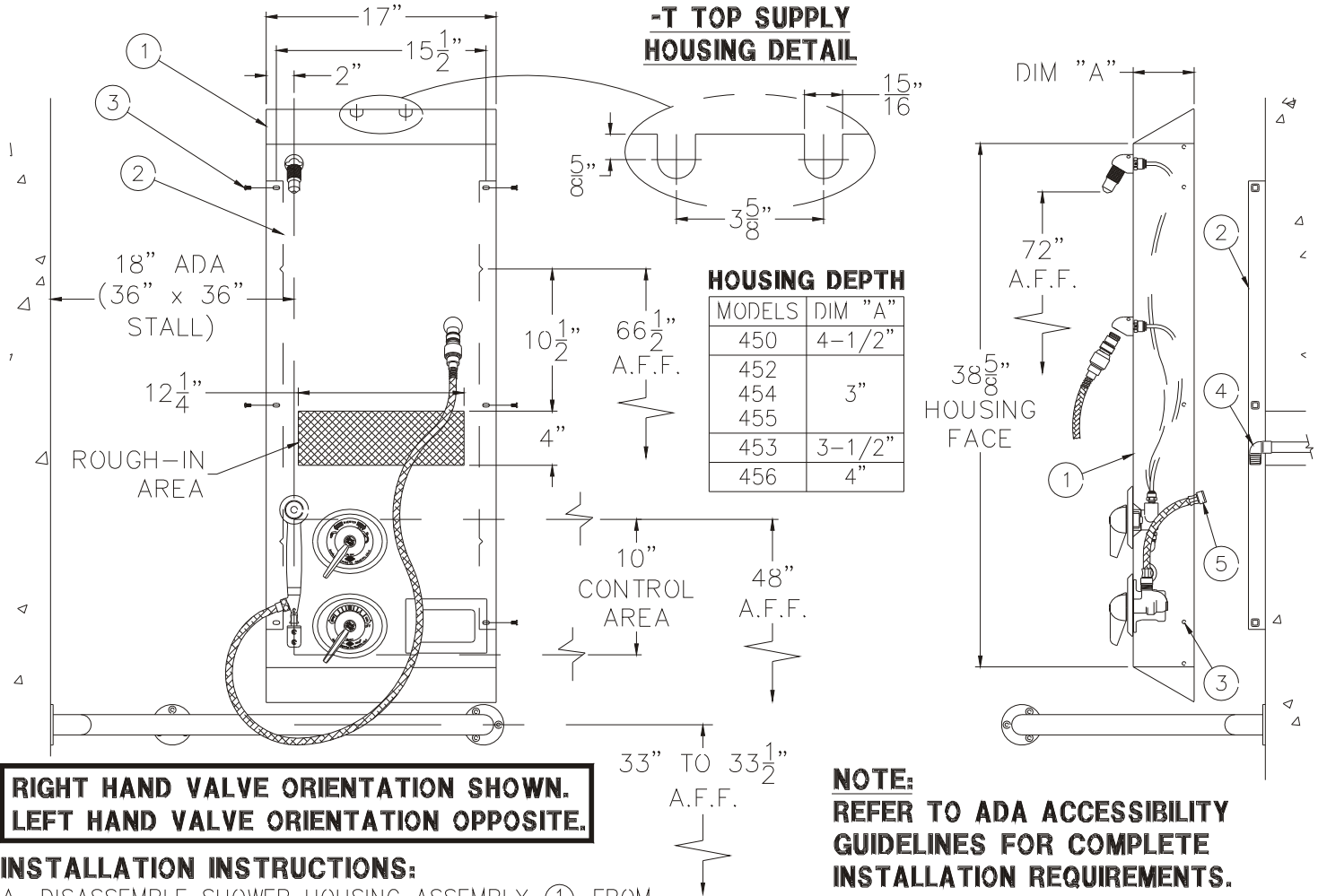




REFERENCE DRAWINGS					
SHOWER HEAD	9970-122-001	FLEX SHOWERHEAD	9970-102-003	AIR-CONTROL VALVE	
NOZZLE	9970-101-004	SAFTI-TROL VALVE	9975-032-001	VALVE BODY	9975-090-001
HANDICAP SEAT	9900-350-001	CARTRIDGES		METERING SERVOMOTOR	9955-000-002
GLIDE RAIL	9970-103-001	SAFTI-TROL	9975-030-001	CHECKSTOP/STRAINER	9956-040-003
DIVERTER	9975-080-001	FLO-CLOZ	9975-000-001	PUSHBUTTON/ESCUTCHEON	9957-300-001



RIGHT HAND VALVE ORIENTATION SHOWN. LEFT HAND VALVE ORIENTATION OPPOSITE.

NOTE: REFER TO ADA ACCESSIBILITY GUIDELINES FOR COMPLETE INSTALLATION REQUIREMENTS.

INSTALLATION INSTRUCTIONS:

- A- DISASSEMBLE SHOWER HOUSING ASSEMBLY ① FROM WALL MOUNTING ANGLES ② BY REMOVING VANDAL-RESISTANT SCREWS ③ FROM HOUSING SIDES. DO NOT REMOVE VALVES AND OTHER ACCESSORIES.
- B- INSTALL MOUNTING ANGLES ②. TOP ANGLE NOTCH MUST BE AT 66-1/2" ABOVE THE FINISHED FLOOR. ANGLES MUST BE PLUMB & TRUE TO WALL.
- C- PROVIDE SUPPLY ROUGH-IN(S) ④ IN THE AREA INDICATED. THOROUGHLY FLUSH SUPPLY LINES.
- D- MAKE-UP SUPPLY CONNECTIONS TO 1/2" NPS FLEX HOSE FEMALE ENDS ⑤ WHILE SUPPORTING HOUSING OFF THE FLOOR. (NOTE: SUPPLY INLET CONNECTION WILL ACCOMMODATE 1/2" NPT MALE ADAPTER.)

*** NOTE:** INSTALLER MUST PROVIDE CHECKSTOPS WITH SAFTI-THERM VALVES IF OPTIONAL -GX CHECKSTOPS NOT ORDERED FROM ACORN.

- E- ASSEMBLE SHOWER HOUSING ① TO MOUNTING ANGLES ② USING SCREWS ③ PROVIDED.

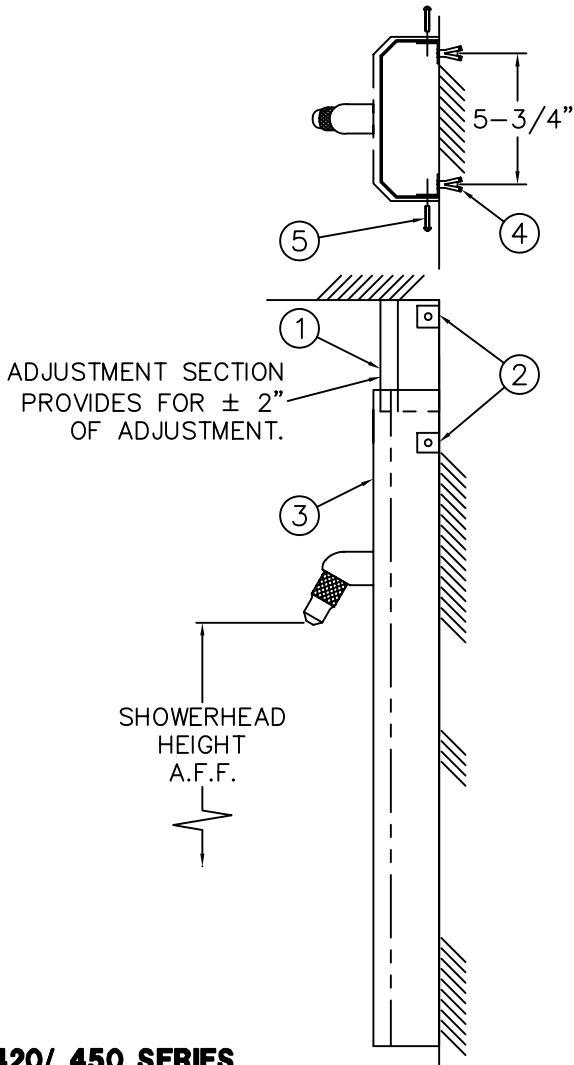
NOTE: MAXIMUM RECOMMENDED WORKING PRESSURE IS 100PSI; TEMPERATURE IS 130°F; OUTLET TEMPERATURE IS RECOMMENDED AT A MAXIMUM OF 105°F.
WARNING: PRIOR TO MAKING INSTALLATION, SUPPLY LINES MUST BE FLUSHED OF ALL FOREIGN MATERIAL SUCH AS PIPE DOPE, CHIPS, SOLDER, ETC. VALVE MUST BE DRAINED PRIOR TO BEING SUBJECTED TO FREEZING TEMPERATURES.

ACORN ENGINEERING COMPANY P.O. BOX 3527 INDUSTRY, CA. 91744 (626) 336-4561 FAX (626) 961-2200	TITLE APEX WIDE HOUSING SURFACE MOUNTED ADA SHOWER - CAT. #450ADAWH-A	
	MANUFACTURE DATE JANUARY 2002 TO PRESENT	DATE ISSUED 07/01/03 DATE REVISED



IMPORTANT!

WALL ANCHORS AND ANCHORING HARDWARE ARE BY OTHERS.



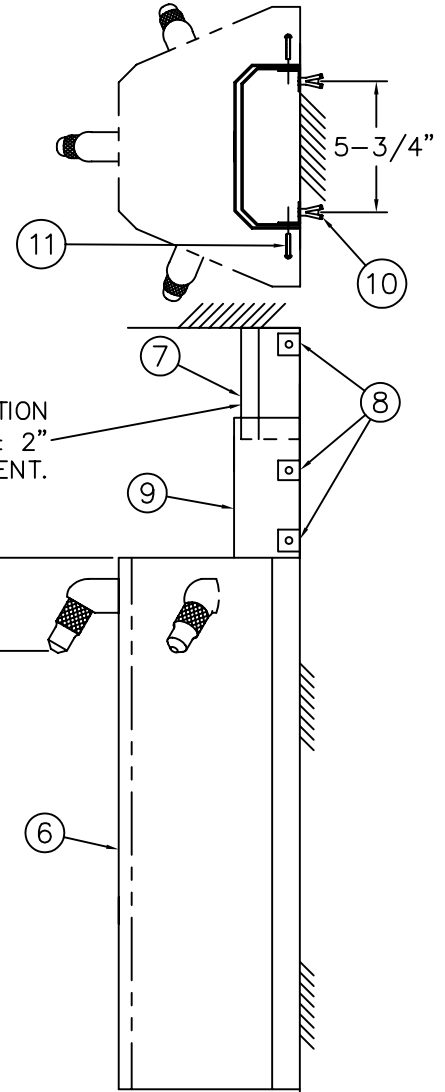
420/ 450 SERIES

INSTALLATION INSTRUCTIONS (420/450 SERIES)

AFTER COMPLETION OF TOP SUPPLY ROUGH-INS:

- A- POSITION ADJUSTMENT SECTION ① UP TO CEILING. USING ADJUSTMENT SECTION AS A TEMPLATE, MARK POSITION FOR L-CLIPS ②.
- B- FOLLOWING THE APPROPRIATE FIXTURE INSTALLATION INSTRUCTIONS, USE EXTENDED HOUSING ③ AS A TEMPLATE TO MARK POSITIONS FOR L-CLIPS ②.
- C- INSTALL WALL ANCHORS ④ (BY OTHERS) FOR L-CLIPS. POSITION L-CLIPS ② WITH CAGE NUT FACING OUTWARD FOR ATTACHMENT OF HOUSING AND FASTEN TO WALL (WALL FASTENERS BY OTHERS).
- D- ASSEMBLE ADJUSTMENT SECTION ① TO L-CLIPS USING #10-32 SCREWS ⑤ PROVIDED.
- E- COMPLETE FIXTURE INSTALLATION WITH HOUSING ② OVER ADJUSTMENT SECTION ①.

NOTE: FOR 420 SERIES SHOWERS (NOT SHOWN), CEILING ADJUSTMENT SECTION ASSEMBLES OVER HOUSING.



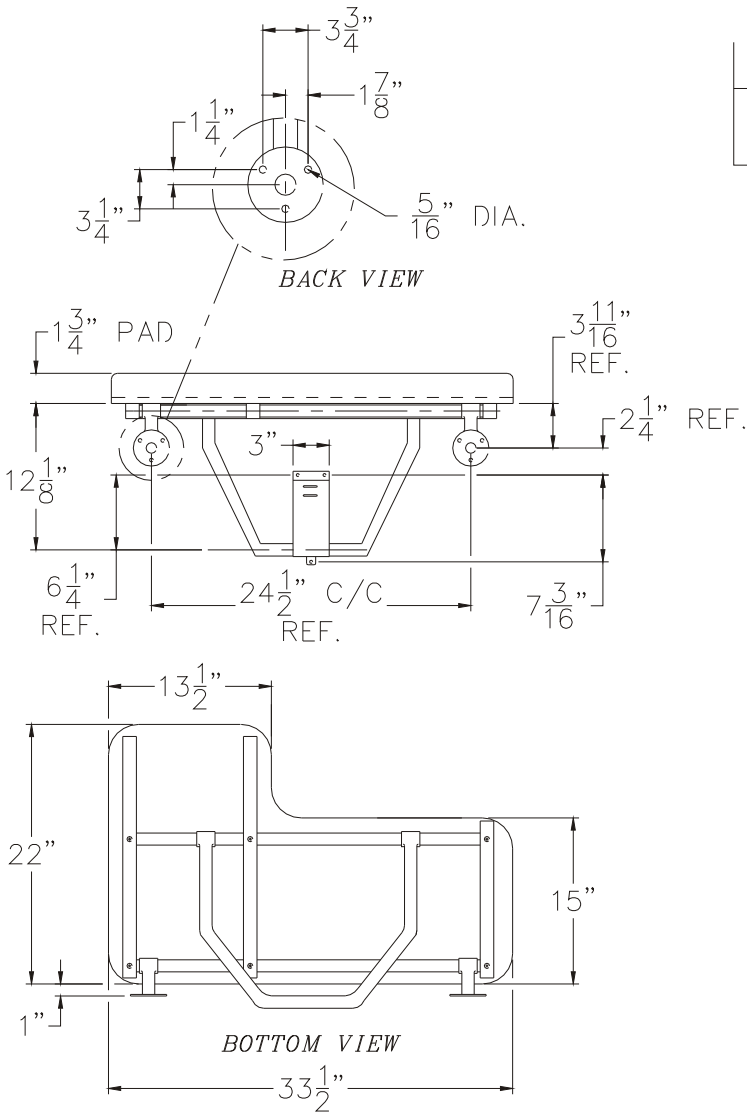
460/ 470 SERIES

INSTALLATION INSTRUCTIONS (460/470 SERIES)

AFTER COMPLETION OF TOP SUPPLY ROUGH-INS:

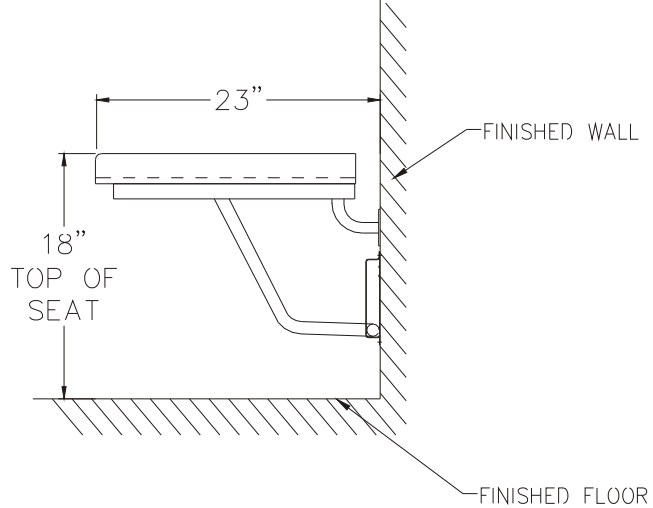
- A- MOUNT HOUSING ⑥ TO WALL PER APPROPRIATE FIXTURE INSTALLATION INSTRUCTIONS.
- B- POSITION ADJUSTMENT SECTION ⑦ UP TO CEILING. USING ADJUSTMENT SECTION AS A TEMPLATE, MARK POSITION FOR L-CLIPS ⑧.
- C- POSITION SUPPLY COVER ⑨ AND USE AS A TEMPLATE TO MARK POSITION FOR L-CLIPS ⑧.
- D- INSTALL WALL ANCHORS ⑩ (BY OTHERS) FOR L-CLIPS. POSITION L-CLIPS ⑧ WITH CAGE NUT FACING OUTWARD FOR ATTACHMENT OF HOUSING AND FASTEN TO WALL (WALL FASTENERS BY OTHERS).
- E- ASSEMBLE ADJUSTMENT SECTION ⑦ TO L-CLIPS USING #10-32 SCREWS ⑪ PROVIDED.
- F- ASSEMBLE SUPPLY COVER ⑨ TO L-CLIPS USING #10-32 SCREWS ⑪ PROVIDED.

<p>ACORN ENGINEERING COMPANY P.O. BOX 3527 INDUSTRY, CA. 91744 (626) 336-4561 FAX (626) 961-2200</p>	<p>TITLE APEX OPTION -SC SUPPLY COVER for MODEL #420, #450, #460 & #470</p>	
	<p>MANUFACTURE DATE</p> <p>JULY 1969</p> <p>TO PRESENT</p>	<p>DATE ISSUED</p> <p>10/05/92</p> <p>DATE REVISED</p> <p>06/22/04</p>



REFERENCE DRAWING	
SEAT MOUNTING TO -RP REINFORCED PANEL	9900-351-001

NOTE: FOR FOLDING SEAT WITH STAINLESS STEEL COVER ORDER USING PART NUMBER #1103 -31 FOR LEFT HAND / -32 FOR RIGHT HAND. INSTALLATION IS SAME AS STANDARD.



#1103-11 LEFT HAND MODEL SHOWN
#1103-12 RIGHT HAND OPPOSITE

INSTALLATION INSTRUCTIONS:

- A- CONSULT LOCAL CODES FOR REQUIRED SEAT HEIGHT. RECOMMENDED SEAT HEIGHT IS 18" ABOVE FLOOR.
- B- USING SEAT FRAME AS TEMPLATE MARK HOLES ON WALL OR PANEL FOR UPPER AND LOWER MOUNTING. FLANGES. (DO NOT ROTATE SUPPORT LEG ASSEMBLY UNTIL INSTALLATION IS COMPLETE.)
- C- FOR TILE WALL, DRILL 1/4" DIA. HOLES IN WALL AND INSERT EXPANSION PLUGS (PROVIDED BY OTHERS.) IF SEAT IS TO BE MOUNTED ON WOOD BACKNG OR A REINFORCED PRIVICY PANEL (FROM ACORN) USE SCREWS ONLY (PROVIDED BY OTHERS.)
- D- THE SEAT IS PROPERLY INSTALLED IF IT FOLDS UP AND DOWN FREELY, YET IT STAYS IN "UP" POSITION WITHOUT ASSISTANCE.

E-MOUNTING TO ACORN STAINLESS STEEL PRIVACY PANEL,

PANEL IS TAGGED FOR REINFORCMENT. PANEL SHOULD MOUNT 1/2" ABOVE FLOOR PADDED SEAT SHOULD BE MOUNTED (WITH EQUAL DISTANCE TO EITHER SIDE OF PANEL.)(REFER TO PANEL REINFORCMENT DETAIL WITH JOB INSTALLATION INSTRUCTIONS FOR SPECIAL SIZE PANELS.) STANDARD PANEL WITDH IS 34".

F- RECOMMENDED FASTENERS FOR SEAT TO PANEL ARE #14 SLOTTED FLAT HEAD S.S. WOOD SCREWS (BY OTHERS.)

IMPORTANT: THIS SHOWER SEAT IS MANUFACTURED TO CURRENT CODE REQUIREMENTS FOR SUPPORT OF 250 LBS. WALL BACKING IS RECOMMENDED BEHIND MOUNTING POINTS.

<p>ACORN ENGINEERING COMPANY P.O. BOX 3527 INDUSTRY, CA. 91744 (626) 336-4561 FAX (626) 961-2200</p>	<p>TITLE FOLDING PADDED SEAT CATALOG * 1103 SERIES (A.D.A.)</p>		
	<p>MANUFACTURE DATE</p> <p>JANUARY 1, 1980</p> <p>TO PRESENT</p>	<p>DATE ISSUED</p> <p>04/07/93</p> <p>DATE REVISED</p> <p>10/24/02</p>	<p>DRAWING NUMBER</p> <p>9900-350-001</p>
	<p>1/16</p>		