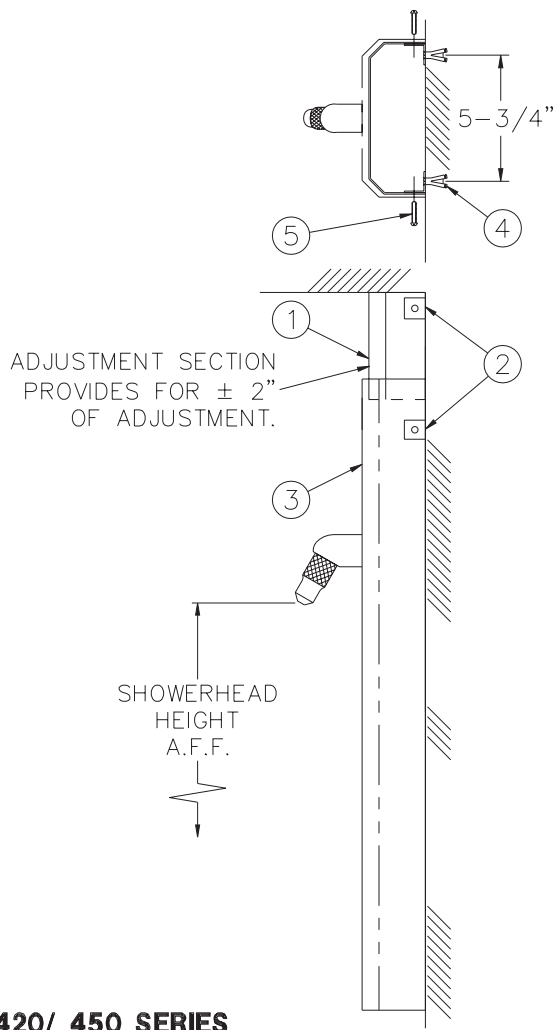






**IMPORTANT!**

WALL ANCHORS AND ANCHORING HARDWARE ARE BY OTHERS.



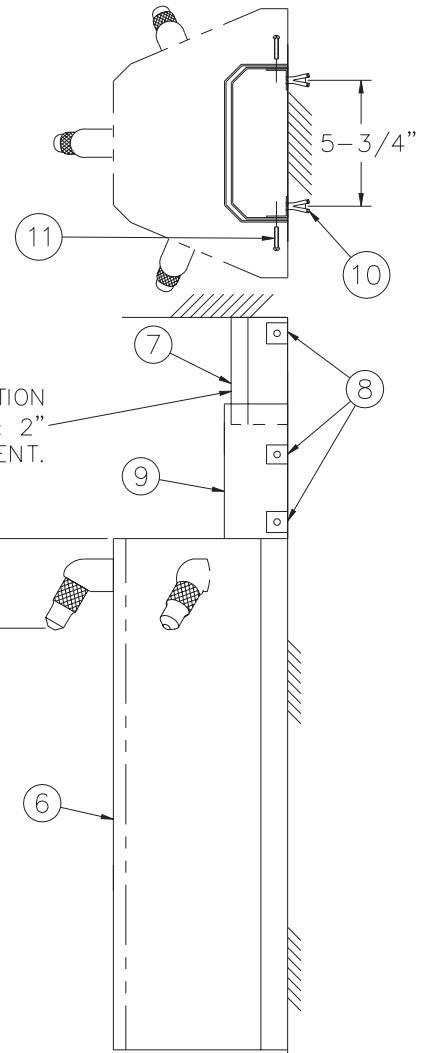
**420/ 450 SERIES**

**INSTALLATION INSTRUCTIONS (420/450 SERIES)**

AFTER COMPLETION OF TOP SUPPLY ROUGH-INS:

- A- POSITION ADJUSTMENT SECTION ① UP TO CEILING. USING ADJUSTMENT SECTION AS A TEMPLATE, MARK POSITION FOR L-CLIPS ②.
- B- FOLLOWING THE APPROPRIATE FIXTURE INSTALLATION INSTRUCTIONS, USE EXTENDED HOUSING ③ AS A TEMPLATE TO MARK POSITIONS FOR L-CLIPS ②.
- C- INSTALL WALL ANCHORS ④ (BY OTHERS) FOR L-CLIPS. POSITION L-CLIPS ② WITH CAGE NUT FACING OUTWARD FOR ATTACHMENT OF HOUSING AND FASTEN TO WALL (WALL FASTENERS BY OTHERS).
- D- ASSEMBLE ADJUSTMENT SECTION ① TO L-CLIPS USING #10-32 SCREWS ⑤ PROVIDED.
- E- COMPLETE FIXTURE INSTALLATION WITH HOUSING ② OVER ADJUSTMENT SECTION ①.

**NOTE:** FOR 420 SERIES SHOWERS (NOT SHOWN), CEILING ADJUSTMENT SECTION ASSEMBLES OVER HOUSING.



**460/ 470 SERIES**

**INSTALLATION INSTRUCTIONS (460/470 SERIES)**

AFTER COMPLETION OF TOP SUPPLY ROUGH-INS:

- A- MOUNT HOUSING ⑥ TO WALL PER APPROPRIATE FIXTURE INSTALLATION INSTRUCTIONS.
- B- POSITION ADJUSTMENT SECTION ⑦ UP TO CEILING. USING ADJUSTMENT SECTION AS A TEMPLATE, MARK POSITION FOR L-CLIPS ⑧.
- C- POSITION SUPPLY COVER ⑨ AND USE AS A TEMPLATE TO MARK POSITION FOR L-CLIPS ⑧.
- D- INSTALL WALL ANCHORS ⑩ (BY OTHERS) FOR L-CLIPS. POSITION L-CLIPS ⑧ WITH CAGE NUT FACING OUTWARD FOR ATTACHMENT OF HOUSING AND FASTEN TO WALL (WALL FASTENERS BY OTHERS).
- E- ASSEMBLE ADJUSTMENT SECTION ⑦ TO L-CLIPS USING #10-32 SCREWS ⑪ PROVIDED.
- F- ASSEMBLE SUPPLY COVER ⑨ TO L-CLIPS USING #10-32 SCREWS ⑪ PROVIDED.

<p><b>ACORN ENGINEERING COMPANY</b> P.O. BOX 3527 INDUSTRY, CA. 91744 (626) 336-4561 FAX (626) 961-2200</p>	<p>TITLE <b>APEX OPTION -SC SUPPLY COVER for MODEL #420, #450, #460 &amp; #470</b></p>	
	<p>MANUFACTURE DATE</p> <p><b>JULY 1969</b></p> <p><b>TO PRESENT</b></p>	<p>DATE ISSUED</p> <p><b>10/05/92</b></p> <p>DATE REVISED</p> <p><b>06/22/04</b></p>