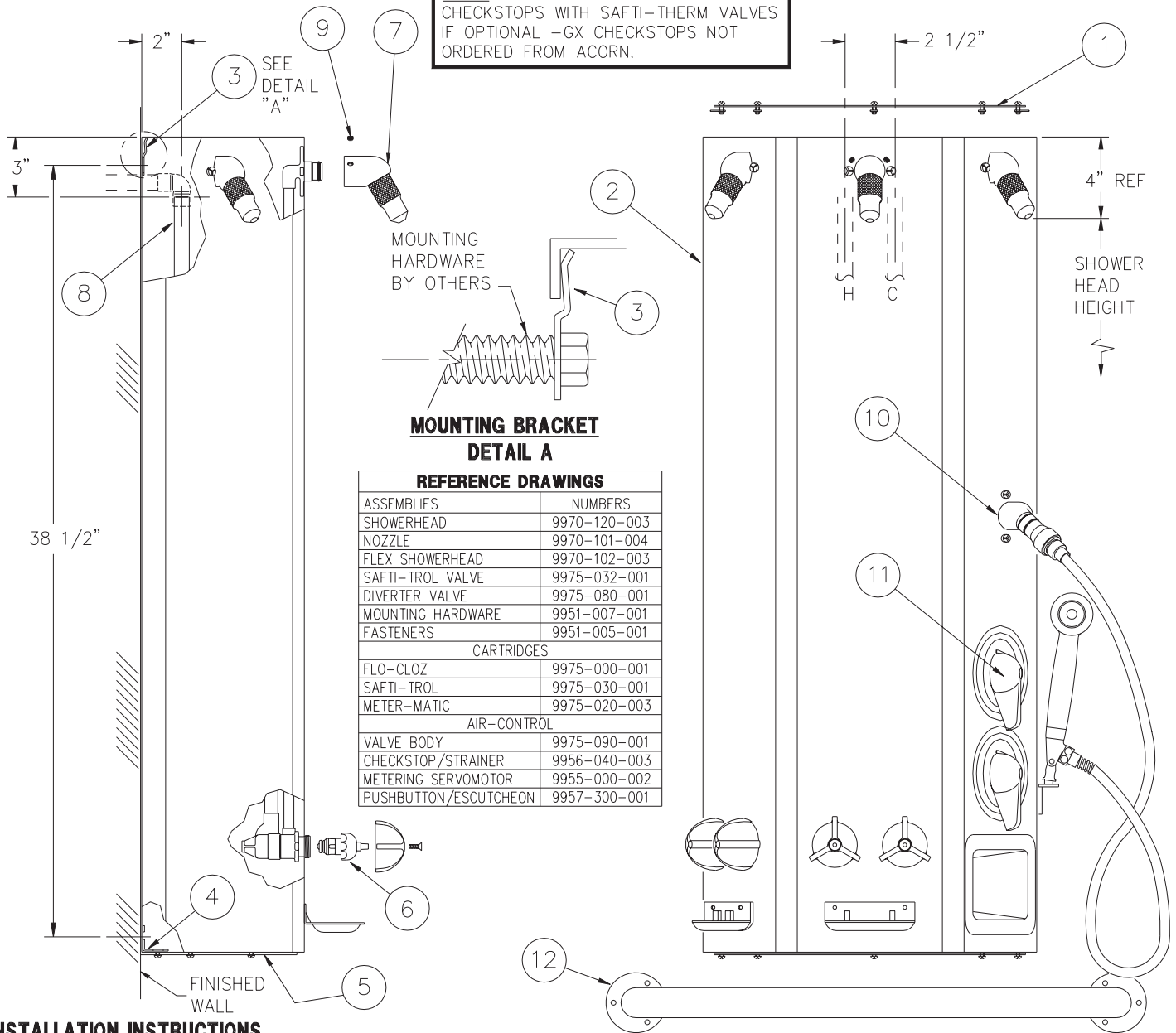




NOTE: INSTALLER MUST PROVIDE CHECKSTOPS WITH SAFTI-THERM VALVES IF OPTIONAL -GX CHECKSTOPS NOT ORDERED FROM ACORN.

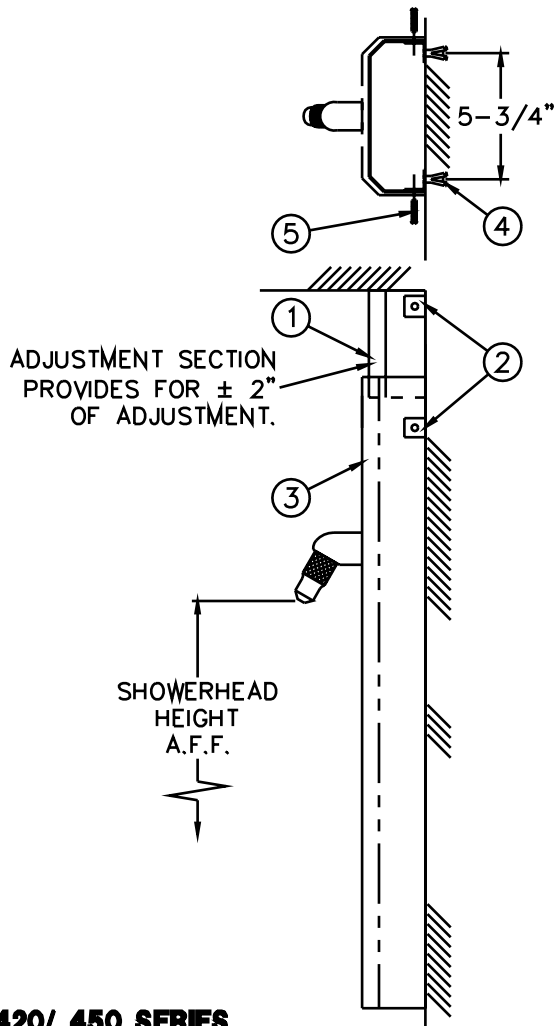


INSTALLATION INSTRUCTIONS

- A- REMOVE TOP PLATE (1) FROM SHOWER HOUSING (2). MOUNT S-CLIPS (3) AND L-CLIPS (4) TO WALL. USE HOLES IN BOTTOM PLATE (5) AS TEMPLATE FOR LOCATING L-CLIPS.
- B- HANG SHOWER HOUSING (2) ONTO S-CLIPS (3) AND ATTACH THRU BOTTOM PLATE (5) TO L-CLIPS (4).
- C- CONNECT 3/4" NCT SUPPLIES (8) THRU THE TOP. WHEN SINGLE TEMPERATURE IS SPECIFIED, THE HOT SIDE SUPPLY ROUGH-IN IS USED.
- D- REMOVE (2) SET SCREWS (9) FROM EACH SHOWER HEAD (7)

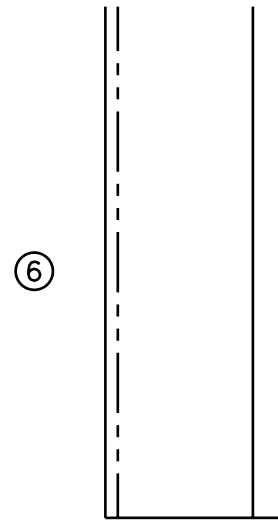
- AND REMOVE THE SHOWER HEADS. REPEAT THIS PROCEDURE FOR HAND HELD SHOWER (10). NEXT, REMOVE CARTRIDGES (6), DIVERTER PISTON (11).
- NOTE: MODEL IS SHOWN WITH HOT & COLD FLO-CLOZ VALVE- FOR DETAILS ON SPECIFIC VALVE CARTRIDGE DISASSEMBLY, SEE REFERENCE DRAWINGS.
- E- FLUSH SUPPLY LINES (8). REINSTALL SHOWER HEADS (7) & (10), CARTRIDGES (6) & (11) AND ESCUTCHEON (12).
- F- MOUNT GRAB BAR (12) AS WALL CONDITIONS REQUIRE USING CENTER REJECT FLAT HEAD SCREWS PROVIDED.

ACORN ENGINEERING COMPANY P.O. BOX 3527 INDUSTRY, CA. 91744 (626) 336-4561 FAX (626) 961-2200	TITLE APEX 2 OR 3 STATION WALL MOUNTED HANDICAPPED SHOWERS		
	MANUFACTURE DATE APRIL 1980 TO PRESENT	DATE ISSUED 12/01/89 DATE REVISED 10/17/02	DRAWING NUMBER 9900-055-001



IMPORTANT!

WALL ANCHORS AND ANCHORING HARDWARE ARE BY OTHERS.



420/ 450 SERIES

INSTALLATION INSTRUCTIONS (420/450 SERIES)

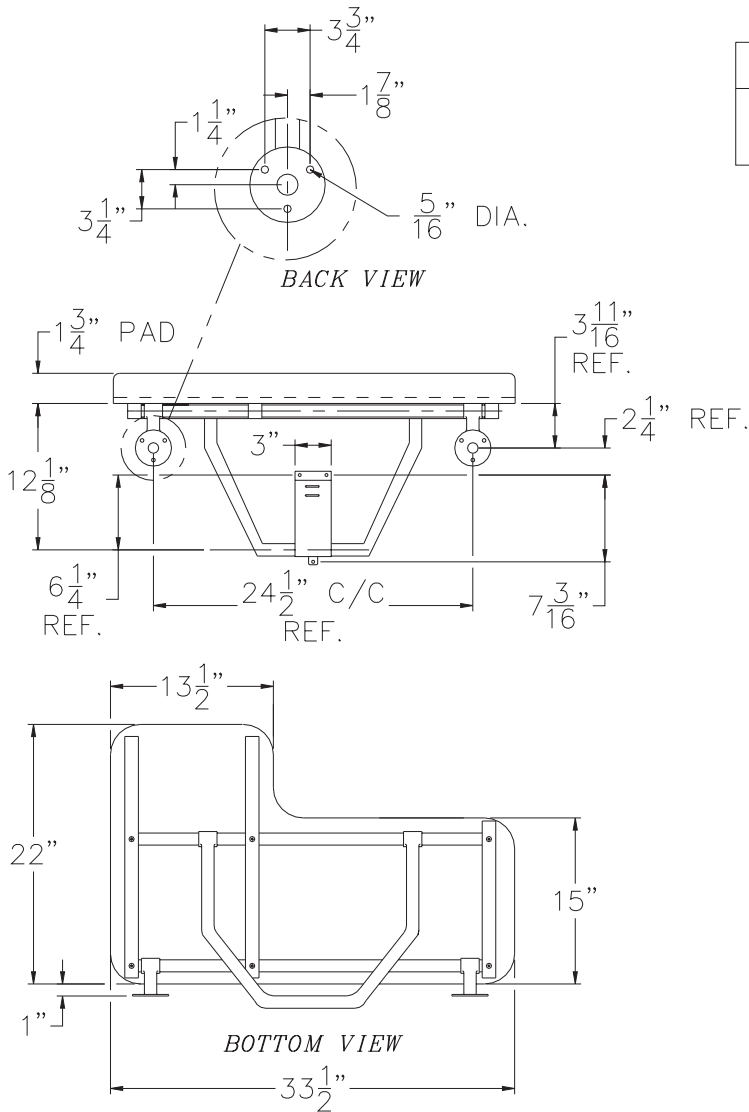
AFTER COMPLETION OF TOP SUPPLY ROUGH-INS:

- A- POSITION ADJUSTMENT SECTION ① UP TO CEILING. USING ADJUSTMENT SECTION AS A TEMPLATE, MARK POSITION FOR L-CLIPS ②.
- B- FOLLOWING THE APPROPRIATE FIXTURE INSTALLATION INSTRUCTIONS, USE EXTENDED HOUSING ③ AS A TEMPLATE TO MARK POSITIONS FOR L-CLIPS ②.
- C- INSTALL WALL ANCHORS ④ (BY OTHERS) FOR L-CLIPS. POSITION L-CLIPS ② WITH CAGE NUT FACING OUTWARD FOR ATTACHMENT OF HOUSING AND FASTEN TO WALL (WALL FASTENERS BY OTHERS).
- D- ASSEMBLE ADJUSTMENT SECTION ① TO L-CLIPS USING #10-32 SCREWS ⑤ PROVIDED.
- E- COMPLETE FIXTURE INSTALLATION WITH HOUSING ② OVER ADJUSTMENT SECTION ①.

NOTE: FOR 420 SERIES SHOWERS (NOT SHOWN), CEILING ADJUSTMENT SECTION ASSEMBLES OVER HOUSING.

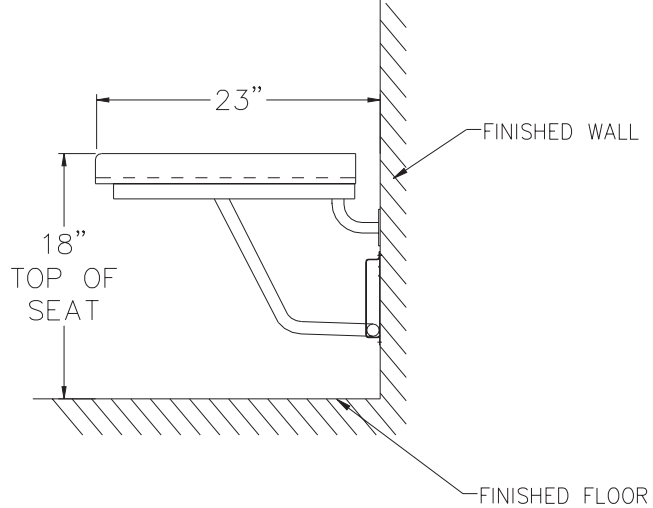
E ADJUSTMENT SECTION 7 TO L-CLIPS USING #10-32 SCREWS 11 PROVIDED.
 ASSEMBLE SUPPLY COVER 9 TO L-CLIPS USING #10-32 SCREWS 11 PROVIDED.

ACORN ENGINEERING COMPANY P.O. BOX 3527 INDUSTRY, CA 91744 (626) 336-4561 FAX (626) 961-2200	TITLE APEX OPTION -SC SUPPLY COVER for MODEL #420, #450, #460 & #470		
	MANUFACTURE DATE <p style="text-align: center;">JULY 1969 TO PRESENT</p>	DATE ISSUED <p style="text-align: center;">10/05/92</p> DATE REVISED <p style="text-align: center;">06/22/04</p>	DRAWING NUMBER <p style="text-align: center;">9900-056-001</p>



REFERENCE DRAWING	
SEAT MOUNTING TO -RP REINFORCED PANEL	9900-351-001

NOTE: FOR FOLDING SEAT WITH STAINLESS STEEL COVER ORDER USING PART NUMBER #1103 -31 FOR LEFT HAND / -32 FOR RIGHT HAND. INSTALLATION IS SAME AS STANDARD.



#1103-11 LEFT HAND MODEL SHOWN
 #1103-12 RIGHT HAND OPPOSITE

INSTALLATION INSTRUCTIONS:

- A- CONSULT LOCAL CODES FOR REQUIRED SEAT HEIGHT. RECOMMENDED SEAT HEIGHT IS 18" ABOVE FLOOR.
- B- USING SEAT FRAME AS TEMPLATE MARK HOLES ON WALL OR PANEL FOR UPPER AND LOWER MOUNTING. FLANGES. (DO NOT ROTATE SUPPORT LEG ASSEMBLY UNTIL INSTALLATION IS COMPLETE.)
- C- FOR TILE WALL, DRILL 1/4" DIA. HOLES IN WALL AND INSERT EXPANSION PLUGS (PROVIDED BY OTHERS.) IF SEAT IS TO BE MOUNTED ON WOOD BACKNG OR A REINFORCED PRIVICY PANEL (FROM ACORN) USE SCREWS ONLY (PROVIDED BY OTHERS.)
- D- THE SEAT IS PROPERLY INSTALLED IF IT FOLDS UP AND DOWN FREELY, YET IT STAYS IN "UP" POSITION WITHOUT ASSISTANCE.

E-MOUNTING TO ACORN STAINLESS STEEL PRIVACY PANEL,

PANEL IS TAGGED FOR REINFORCMENT. PANEL SHOULD MOUNT 1/2" ABOVE FLOOR PADDED SEAT SHOULD BE MOUNTED (WITH EQUAL DISTANCE TO EITHER SIDE OF PANEL.)(REFER TO PANEL REINFORCMENT DETAIL WITH JOB INSTALLATION INSTRUCTIONS FOR SPECIAL SIZE PANELS.) STANDARD PANEL WITDH IS 34".

F- RECOMMENDED FASTENERS FOR SEAT TO PANEL ARE #14 SLOTTED FLAT HEAD S.S. WOOD SCREWS (BY OTHERS.)

IMPORTANT: THIS SHOWER SEAT IS MANUFACTURED TO CURRENT CODE REQUIREMENTS FOR SUPPORT OF 250 LBS. WALL BACKING IS RECOMMENDED BEHIND MOUNTING POINTS.

<p>ACORN ENGINEERING COMPANY P.O. BOX 3527 INDUSTRY, CA. 91744 (626) 336-4561 FAX (626) 961-2200</p>	TITLE FOLDING PADDED SEAT CATALOG * 1103 SERIES (A.D.A.)		
	MANUFACTURE DATE JANUARY 1, 1980 TO PRESENT	DATE ISSUED 04/07/93	DRAWING NUMBER 9900-350-001
		DATE REVISED 10/24/02	