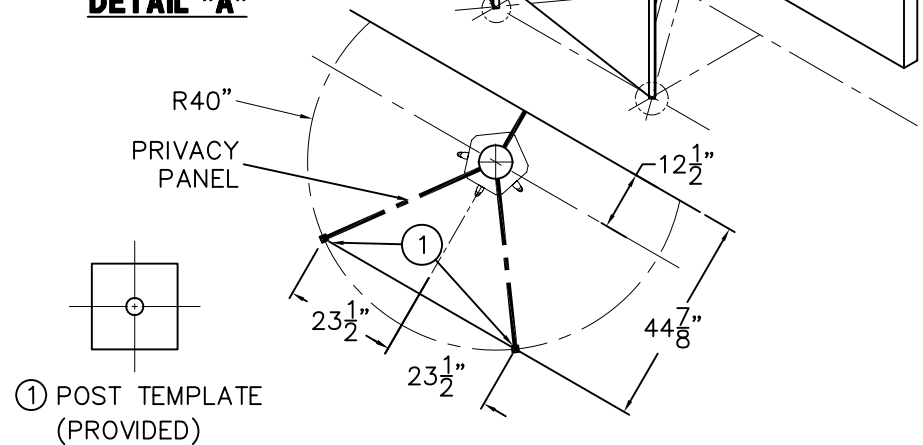
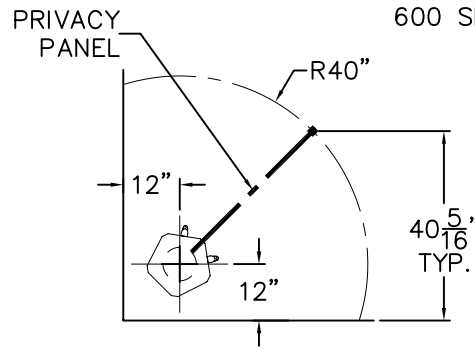


DETAIL "A"



① POST TEMPLATE (PROVIDED)

REFERENCE DRAWINGS	
ASSEMBLIES	NUMBER
PANEL INSTALLATION	9920-115-001
HEAD RAIL & DETAILS	9920-116-001
REPAIR PARTS	
POST ANCHOR ASSEMBLY	9959-100-001
CURTAIN & BRACKETS	9959-102-001



INSTALLATION INSTRUCTIONS

- A-REVIEW THE FLOOR LAYOUT DRAWINGS FOR DETAILS. ENSURE THAT ADEQUATE WALL AND FLOOR BACKING EXISTS BEFORE STARTING.
- B-INSTALL SHOWERS PER APPLICABLE INSTALLATION INSTRUCTIONS.
- C-USE A CHALK LINE TO LOCATE AND MARK LOCATION OF WALL BRACKETS AND POST CENTERLINES. MARK POST ANCHORING LOCATIONS USING TEMPLATES ① INCLUDED. DRILL FOR EXPANSION SHIELDS ② (PROVIDED), USING A 9/16" MASONRY BIT 1-9/16" DEEP.

- D-INSERT EXPANSION SHIELDS ②. THREAD STUDS ③ INTO FLOOR ANCHORS ② AND POSITION ESCUTCHEON RETAINER ④, LOCKWASHER ⑤, HEX NUT ⑥, AND TIGHTEN ASSEMBLY TO THE FLOOR. THREAD LEVELING HEX NUT ⑥ AND LOCKWASHER ⑤ ONTO ASSEMBLY AND PLACE POST ① OR PILASTER ② ONTO ASSEMBLY. PLUMB POSTS / PILASTERS AND SECURE WITH LOCKWASHERS ⑤ AND HEX NUTS ⑥. SEE DETAIL "A" FOR REFERENCE.

- E-USE A WALL BRACKET AS A TEMPLATE TO LOCATE WALL ANCHORING. TOP OF HEAD RAILS IS 82" ABOVE FINISHED FLOOR. SEE DETAIL "B", #9920-116-001.

- F-WALL ANCHORS AND ANCHORING HARDWARE ARE BY OTHERS.



ACORN ENGINEERING COMPANY
P.O. BOX 3527 INDUSTRY, CA. 91744
(626) 336-4561 FAX (626) 961-2200

TITLE **DIANA CIRCULAR -LAYOUT & ANCHORING 2, 3-STATIONS (APEX, COLUMN)**

MANUFACTURE DATE

MARCH 1971

PRESENT

DATE ISSUED

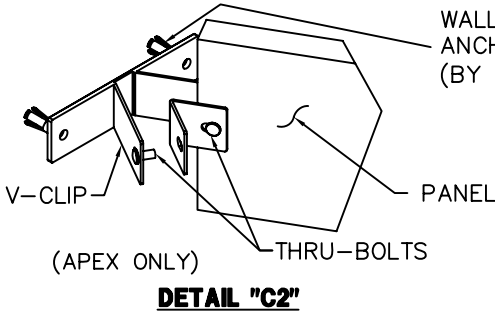
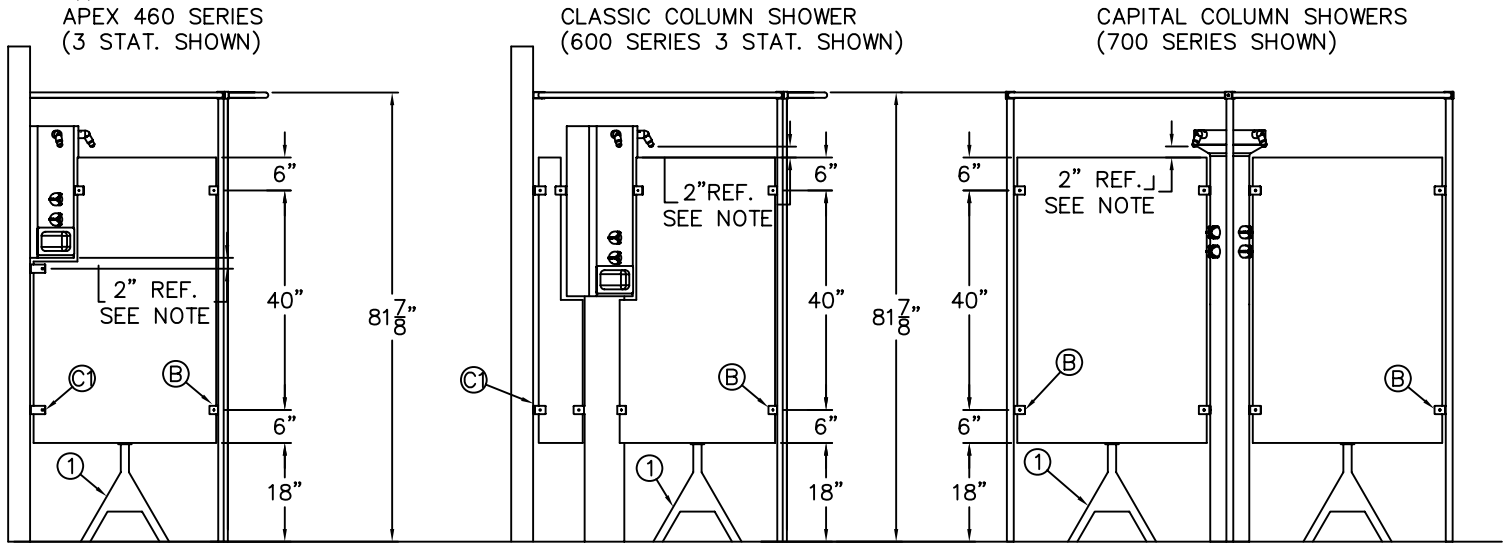
12/01/89

DATE REVISED

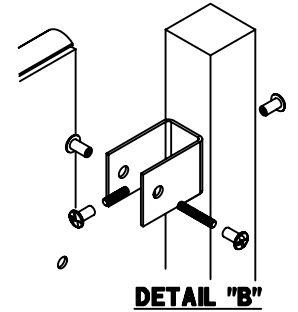
02/12/09

DRAWING NUMBER

9920-114-001



NOTE:
 DIMENSION IS FOR 72" SHOWERHEAD DISCHARGE HEIGHT. FOR SHOWERS WITH DIFFERENT DISCHARGE HEIGHTS, CONSULT FACTORY.



DRILLING INSTRUCTIONS

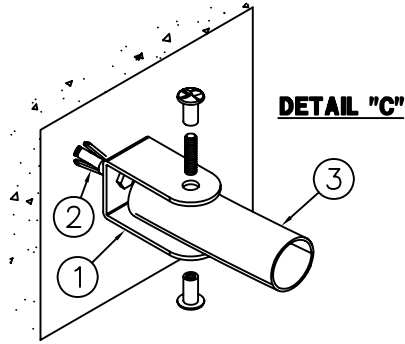
IMPORTANT; USE SHARP HEAT TREATED DRILL BIT AND A VARIABLE SPEED DRILL, KEEPING RPM'S LOW. DRILL MUST CUT AT ALL TIMES. DO NOT ALLOW BIT TO RIDE ON MATERIAL, THIS WILL CAUSE WORK-HARDENING. WORK-HARDENED STAINLESS STEEL IS VERY DIFFICULT TO DRILL OR TAP. USE OF DULL DRILL WITH HIGH SPEEDS WILL CAUSE DRILL TO BURN AND STAINLESS STEEL TO WORK-HARDEN. BURNED DRILL BITS CANNOT BE RE-SHARPENED AND SHOULD BE DISCARDED.

- A-USE A CENTER PUNCH TO LOCATE YOUR HOLE CENTER, TO KEEP DRILL BIT FROM WANDERING.
- B-USE A SHORT, SHARP, HEAT TREATED BIT AND APPLY HEAVY PRESSURE. USE ANY GOOD GRADE CUTTING OIL AS NEEDED WHILE DRILLING.
- C-USE OF BIBB WASHERS ON SHANK OF BIT IS RECOMMENDED TO PREVENT DRILL CHUCK FROM MARRING FINISH OF MATERIAL WHEN BREAKING THROUGH MATERIAL.

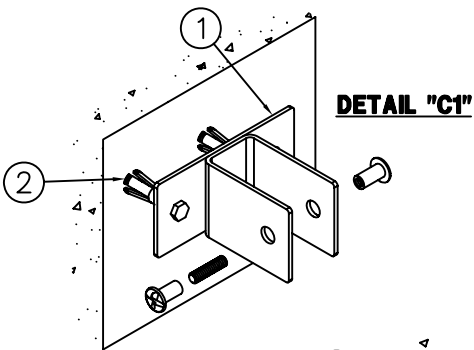
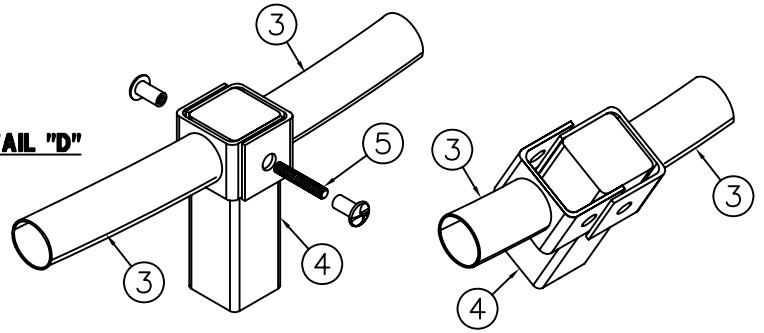
INSTALLATION INSTRUCTIONS

- A-ATTACH PANEL BRACKETS AS REQUIRED (SEE LAYOUT PRINT). UPPER AND LOWER PANEL BRACKETS ARE 40" O/C. CENTERLINE IS 6" BELOW TOP OF PANEL. SEE DRILLING INSTRUCTION ABOVE.
- PANEL TO WALL: DRILL WALL FOR PANEL BRACKETS. TOP OF PANELS ARE 2" BELOW SHOWER DISCHARGE HEIGHT (SEE NOTE ABOVE). LOCATE CENTER OF TOP BRACKET 6" BELOW TOP OF PANEL AND CENTER OF BOTTOM BRACKET 6" ABOVE THE BOTTOM OF PANEL, AS SHOWN ABOVE. IN CASE OF WALL MOUNTED SHOWERS (I.E. APEX) THE CENTER OF TOP BRACKET IS 2" BELOW THE BOTTOM OF SHOWER HOUSING. ACORN ENGINEERING DOES NOT FURNISH WALL ANCHORS OR ANCHORING HARDWARE. SEE APPLICABLE DETAIL "C", "C1" & "C2" THIS DRAWING AND DRAWING #9920-116-001.
- PANEL TO POST: DRILL POSTS USING THE SAME LOCATIONS AS SHOWN ABOVE. MOUNT WITH THRU-BOLTS SUPPLIED. SEE DETAIL "B", THIS DRAWING.
- B-PLACE PANELS AT CORRECT HEIGHT. USE A TEMPORARY SUPPORT ① UNDER THE PANEL. DRILL THROUGH PANELS USING BRACKETS AS TEMPLATES; ATTACH WITH THRU-BOLTS.

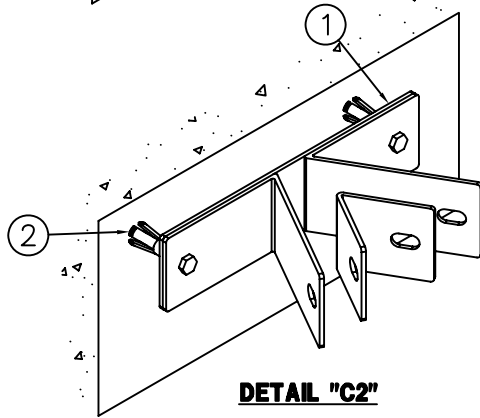
ACORN ENGINEERING COMPANY P.O. BOX 3527 INDUSTRY, CA. 91744 (626) 336-4561 FAX (626) 961-2200	TITLE DIANA CIRCULAR PANEL & DRILLING INSTRUCTIONS		
	MANUFACTURE DATE MARCH 1971 TO PRESENT	DATE ISSUED 12/01/89	DRAWING NUMBER 9920-115-001
		DATE REVISED 09/19/07	



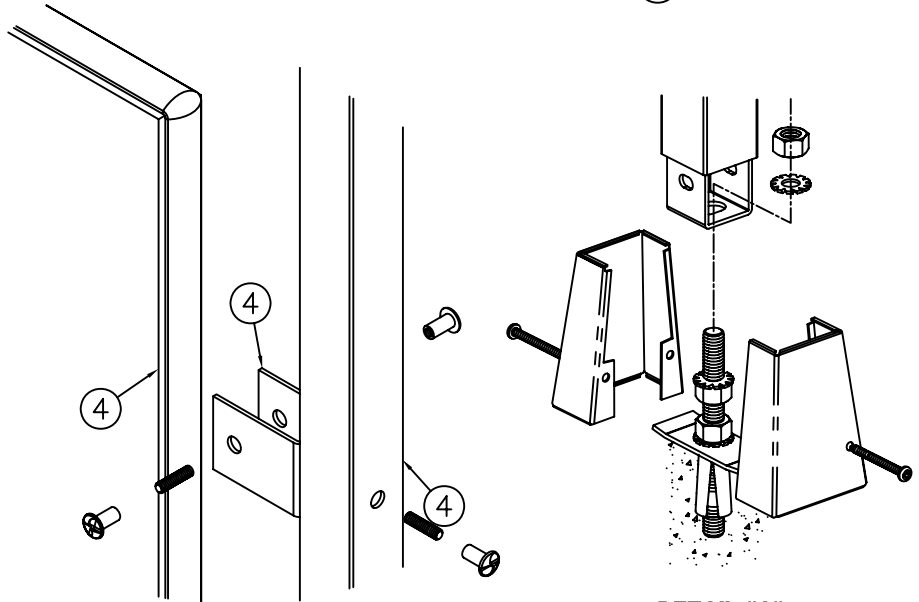
DETAIL "D"



DETAIL "C1"



DETAIL "C2"



DETAIL "B"

DETAIL "A"

PART DESCRIPTIONS / INSTRUCTIONS:

HEAD RAIL TO WALL: USE WALL BRACKET ① AS TEMPLATE. ALIGN WALL BRACKET ① ON CHALK CENTERLINE TO LOCATE AND INSTALL WALL ANCHORING HARDWARE ② BY OTHERS. TOP OF HEAD RAIL ③ SHOULD BE 82" ABOVE FINISHED FLOOR. SEE DETAIL "C" AND REFER TO DRAWING #9920-114-001.

HEAD RAIL TO CAPPED POSTS: AFTER POSTS ④ ARE PLUMB AND LEVEL, ATTACH HEAD RAIL ③ TO THE TOP OF POSTS ④ AS SHOWN IN DETAIL "D" USING 1-1/8" LONG THRU BOLTS ⑤ PROVIDED.

ESCUTCHEONS: INSTALL ESCUTCHEONS ⑨ AT THE FOOT OF ALL POSTS AND PILASTERS. SEE DETAIL "A".

CURTAINS: CURTAINS ARE OPTIONALLY AVAILABLE.

REFERENCE DRAWINGS	
ASSEMBLIES	NUMBER
COLUMN CIR LAYOUT	9920-110-002
APEX / COLUMN LAYOUT	9920-114-001
PANEL / DRILL INSTRS	9920-115-001
REPAIR PARTS	
POST ANCHORING ASSY	9959-100-001
HEAD RAIL & BRACKETS	9959-102-001



ACORN ENGINEERING COMPANY
P.O. BOX 3527 INDUSTRY, CA. 91744
(626) 336-4561 FAX (626) 961-2200

TITLE DIANA CIRCULAR, APEX & COLUMN -HEAD RAIL & ASSEMBLY DETAIL		
MANUFACTURE DATE MARCH 1971 TO PRESENT	DATE ISSUED 09/20/07	DRAWING NUMBER 9920-116-001
	DATE REVISED	