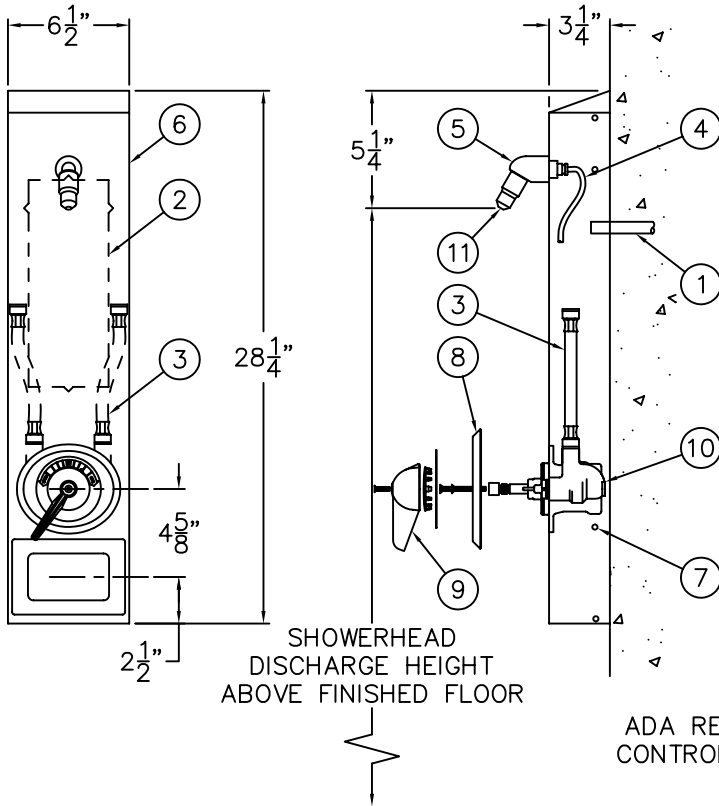




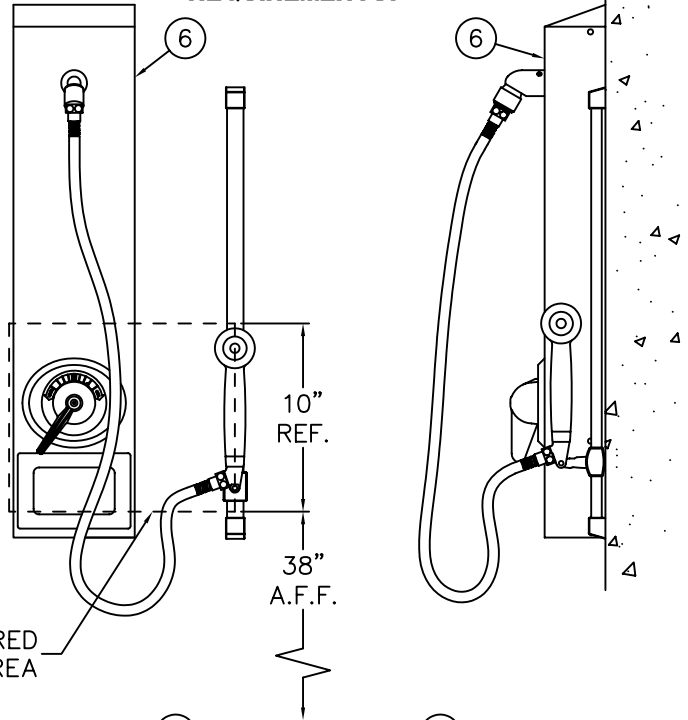
**MODEL #482**



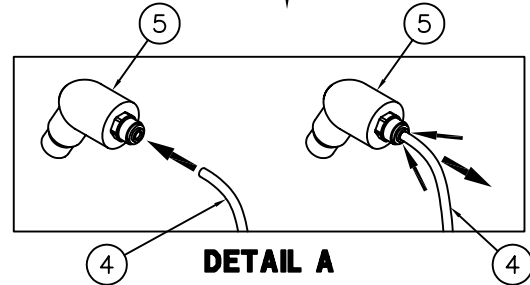
SHOWERHEAD  
DISCHARGE HEIGHT  
ABOVE FINISHED FLOOR

**MODEL #482-ADA**

**NOTE: REFER TO ADA ACCESSIBILITY  
GUIDELINES FOR COMPLETE INSTALLATION  
REQUIREMENTS.**



ADA REQUIRED  
CONTROL AREA



**DETAIL A**

REFERENCE DRAWINGS	
ASSEMBLIES	NUMBER
SHOWER HEAD	9970-122-001
SAFTI-TROL CARTRIDGE	9975-030-001
SAFTI-TROL VALVE ASSY	9975-031-001
HANDSHOWER EQUIPMENT	9970-103-001
FLEX SHOWERHEAD	9970-102-003

**INSTALLATION INSTRUCTIONS:**

- A- ROUGH-IN SUPPLY LINE ① FOR FIXTURE AND INSTALL WALL TEMPLATE ②. REFERENCING DRAWING NUMBER 9900-080-001.
- B- FLUSH SUPPLY LINE ①. MAKE UP SUPPLY CONNECTIONS TO ③ 1/2" NPS FLEX HOSE FEMALE ENDS.  
NOTE: SUPPLY INLET CONNECTIONS WILL ACCOMMODATE 1/2" NPT MALE ADAPTER.
- C- ASSEMBLE SHOWERHEAD RISER ④ TO SHOWERHEAD ⑤. SEE DETAIL A.
- D- ASSEMBLE SHOWER HOUSING ⑥ TO WALL TEMPLATE ② USING VANDAL RESISTANT SCREWS ⑦ PROVIDED.

- E- ASSEMBLE ESCUTCHEON ⑧ AND HANDLE ⑨ TO VALVE BODY ⑩.
- F- ASSEMBLE OPTIONAL SHOWER NOZZLES ⑪.
- G- PEEL PVC FILM OFF SHOWER HOUSING ⑥.

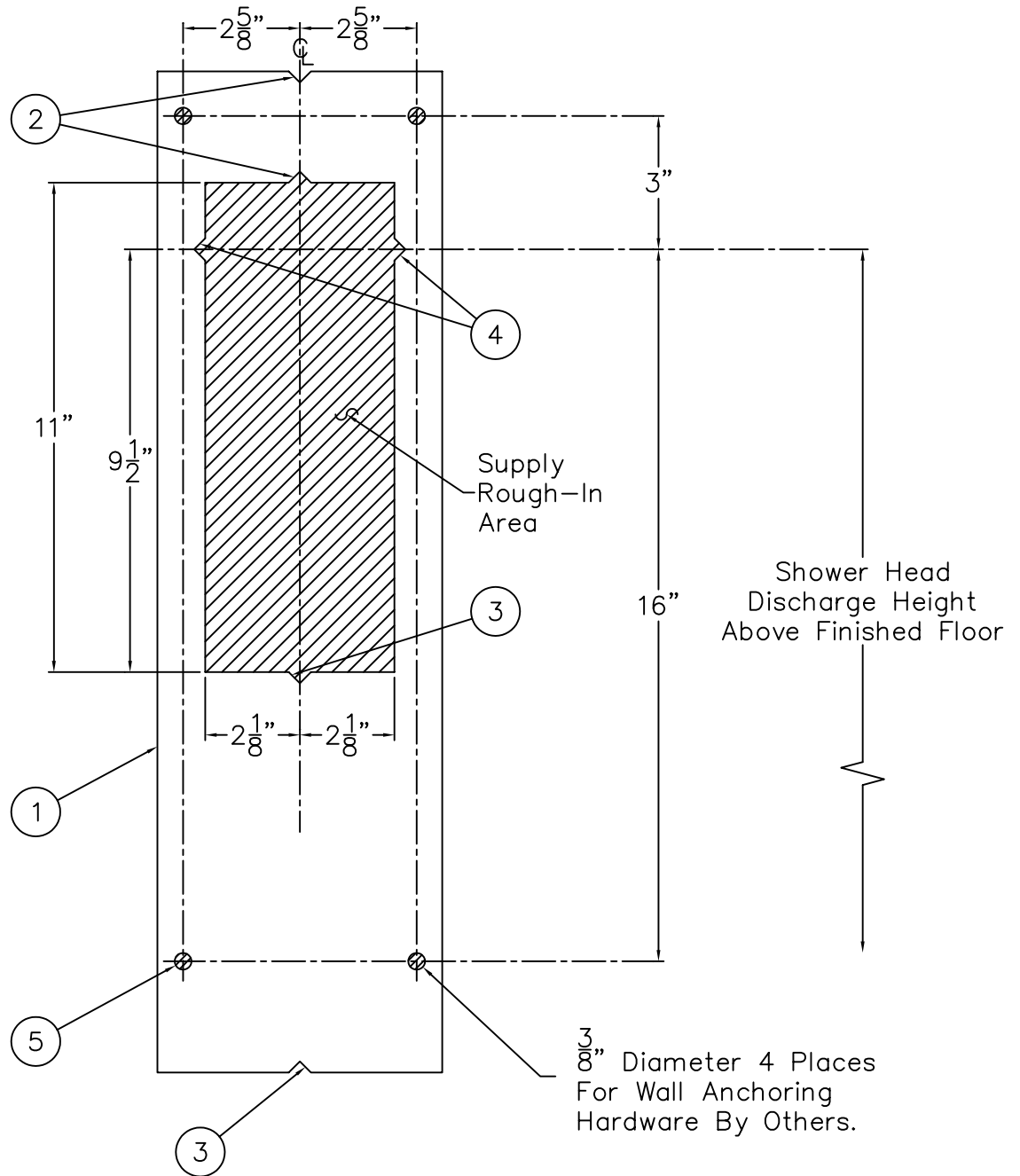
**NOTE:**

MAXIMUM RECOMMENDED WORKING PRESSURE IS 100 PSI; TEMPERATURE IS 130° F; OUTLET TEMPERATURE IS RECOMMENDED AT A MAXIMUM OF 105° F.

**WARNING:**

PRIOR TO MAKING INSTALLATION, SUPPLY LINES MUST BE FLUSHED OF ALL FOREIGN MATERIAL SUCH AS PIPE DOPE, CHIPS, SOLDER, ETC. VALVE MUST BE DRAINED PRIOR TO SUBJECTED TO FREEZING TEMPERATURES.

<p>ACORN ENGINEERING COMPANY P.O. BOX 3527 INDUSTRY, CA. 91744 (626) 336-4561 FAX (626) 961-2200</p>	<p>TITLE <b>ECO-RAIN MODEL #482 &amp; #482-ADA INSTALLATION INSTRUCTIONS</b></p>		
	<p>MANUFACTURE DATE</p> <p><b>OCTOBER 2000 TO PRESENT</b></p>	<p>DATE ISSUED</p> <p><b>12/12/01</b></p>	<p>DRAWING NUMBER</p> <p><b>9900-081-001</b></p>
		<p>DATE REVISED</p> <p><b>05/03/06</b></p>	



**INSTALLATION INSTRUCTIONS**

- A- DISASSEMBLE SHOWER HOUSING FROM WALL TEMPLATE ①.
- B- MARK VERTICAL SHOWER CENTERLINE AND SHOWERHEAD DISCHARGE HEIGHT.
- C- PLACE WALL TEMPLATE ① ALIGNING TOP ② AND BOTTOM ③ NOTCHES ON CENTERLINE OF FIXTURE AND SIDE NOTCHES ④ AT SHOWERHEAD DISCHARGE HEIGHT.
- D- ANCHOR TEMPLATE TO WALL AT MOUNTING POINTS ⑤ WITH WALL ANCHORING HARDWARE BY OTHERS.
- E- ROUGH-IN SUPPLIES IN DESIGNATED AREA.
- F- FLUSH SUPPLIES OF ALL FOREIGN MATERIALS INCLUDING PIPE DOPE, PIPE CHIPS, SOLDER, SAND, ETC.
- G- INSTALLATION CONTINUES ON DWG #9900-081-001 FOR 482 AND 482-ADA MODELS AND DWG 9900-082-001 FOR 486 AND 486-ADA MODELS.



ACORN ENGINEERING COMPANY  
 P.O. BOX 3527 INDUSTRY, CA. 91744  
 (626) 336-4561 FAX (626) 961-2200

TITLE <b>ECO-RAIN MODEL *482, *482ADA, *486, &amp; *486ADA ROUGH-INS</b>		
MANUFACTURE DATE	DATE ISSUED	DRAWING NUMBER
<b>OCTOBER 2000 TO PRESENT</b>	<b>12/12/01</b>	<b>9900-080-001</b>
	DATE REVISED	