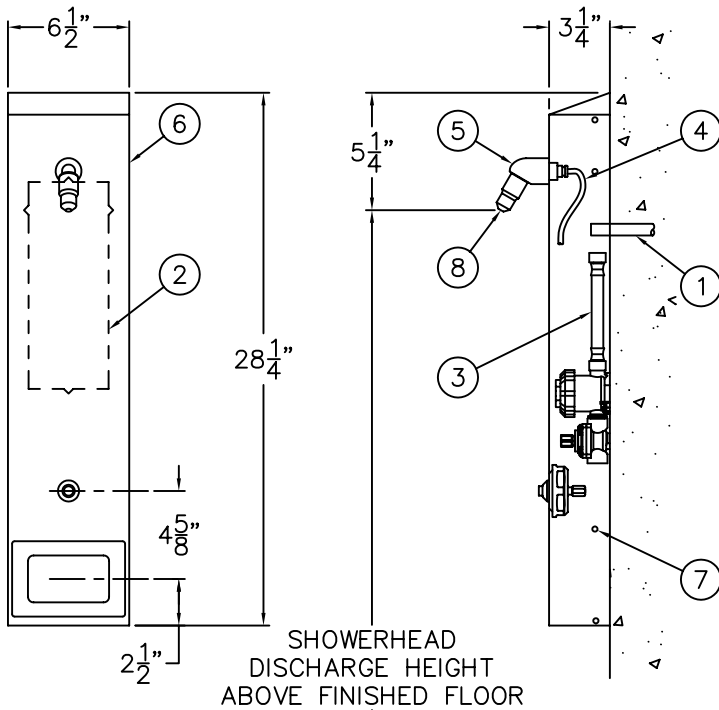




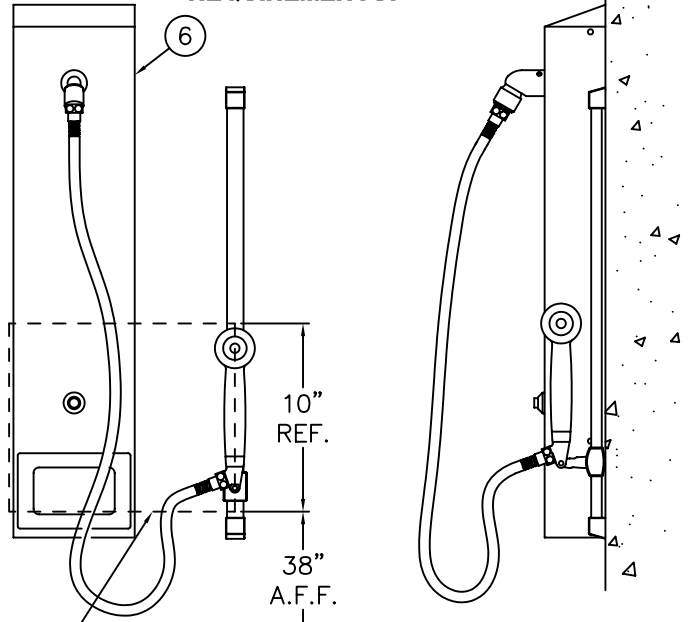
MODEL #486



SHOWERHEAD
DISCHARGE HEIGHT
ABOVE FINISHED FLOOR

MODEL #486-ADA

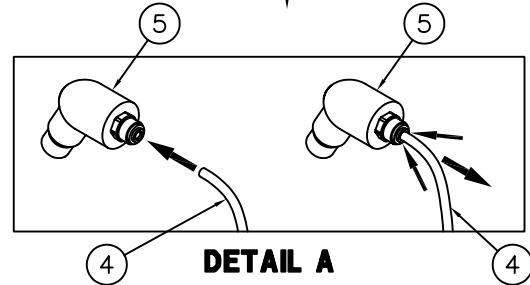
**NOTE: REFER TO ADA ACCESSIBILITY
GUIDELINES FOR COMPLETE INSTALLATION
REQUIREMENTS.**



ADA REQUIRED
CONTROL AREA

REFERENCE DRAWINGS

ASSEMBLIES	NUMBER
STANDARD NOZZLE	9970-101-004
METERING SERVOMOTOR	9955-000-002
VALVE BODY	9975-090-001
CHECKSTOP/STRAINER	9956-040-003
PUSHBUTTON	9957-300-001
HANDSHOWER EQUIPMENT	9970-103-001
FLEX SHOWERHEAD	9970-102-003
TINNERMAN	9951-007-001
FASTENERS	9951-005-001



INSTALLATION INSTRUCTIONS:

- A- ROUGH-IN SUPPLY LINE (1) FOR FIXTURE AND INSTALL WALL TEMPLATE (2). REFERENCING DRAWING NUMBER 9900-080-001.
- B- FLUSH SUPPLY LINE (1). MAKE UP SUPPLY CONNECTIONS TO (3) 1/2" NPS FLEX HOSE FEMALE ENDS.
NOTE: SUPPLY INLET CONNECTIONS WILL ACCOMMODATE 1/2" NPT MALE ADAPTER.
- C- ASSEMBLE SHOWERHEAD RISER (4) TO SHOWERHEAD (5). SEE DETAIL A.
- C- ASSEMBLE SHOWER HOUSING (6) TO WALL TEMPLATE (2) USING VANDAL RESISTANT SCREWS (7) PROVIDED.

- E- ASSEMBLE OPTIONAL SHOWER NOZZLES (8).
- F- PEEL PVC FILM OFF SHOWER HOUSING (6).

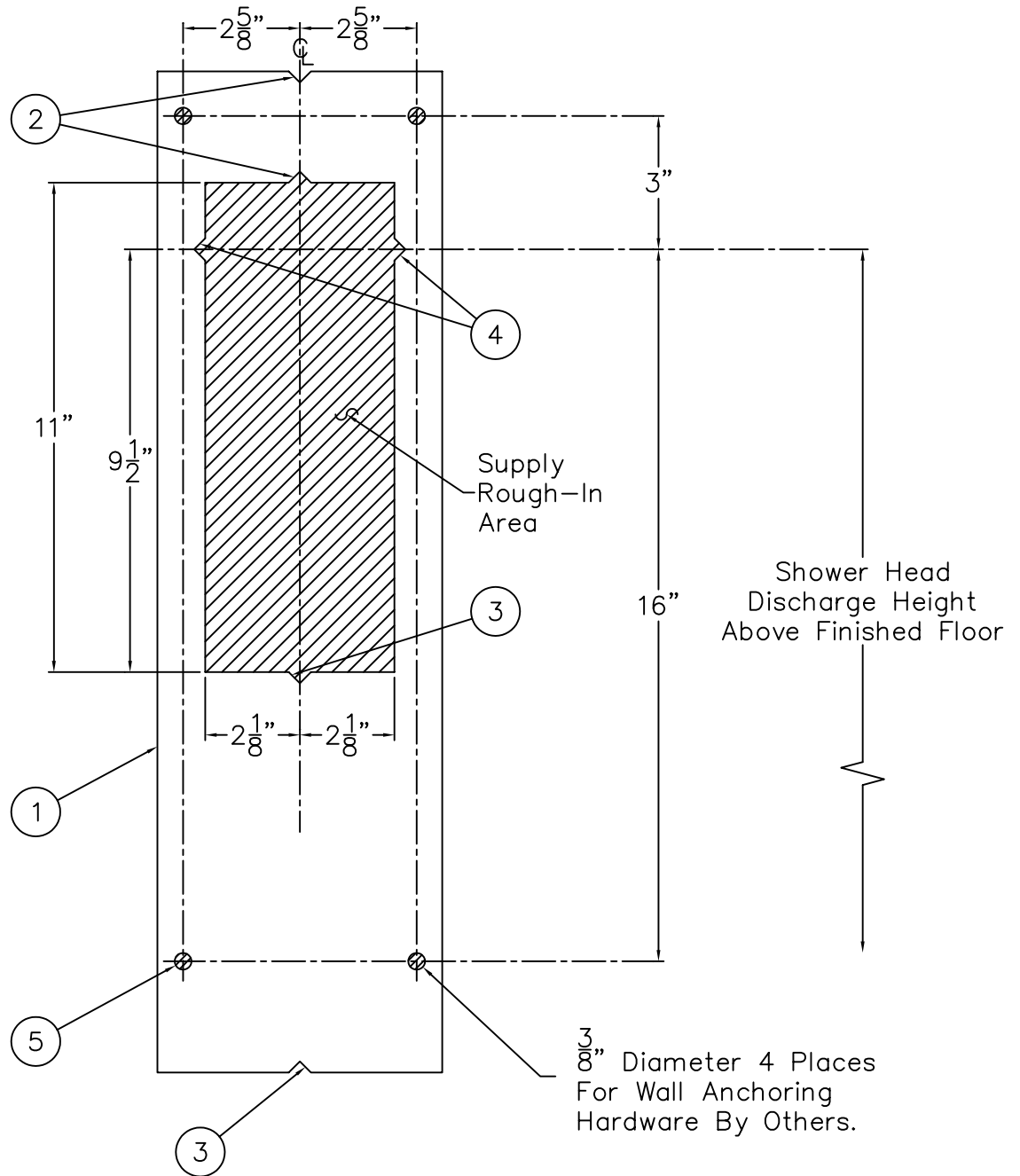
NOTE:

MAXIMUM RECOMMENDED WORKING PRESSURE IS 100 PSI; TEMPERATURE IS 130° F; OUTLET TEMPERATURE IS RECOMMENDED AT A MAXIMUM OF 105° F.

WARNING:

PRIOR TO MAKING INSTALLATION, SUPPLY LINES MUST BE FLUSHED OF ALL FOREIGN MATERIAL SUCH AS PIPE DOPE, CHIPS, SOLDER, ETC. VALVE MUST BE DRAINED PRIOR TO SUBJECTED TO FREEZING TEMPERATURES.

ACORN ENGINEERING COMPANY P.O. BOX 3527 INDUSTRY, CA. 91744 (626) 336-4561 FAX (626) 961-2200	TITLE ECO-RAIN MODEL #486 & #486-ADA INSTALLATION INSTRUCTIONS		
	MANUFACTURE DATE OCTOBER 2000 TO PRESENT	DATE ISSUED 12/12/01	DRAWING NUMBER 9900-082-001
		DATE REVISED 12/10/03	



INSTALLATION INSTRUCTIONS

- A- DISASSEMBLE SHOWER HOUSING FROM WALL TEMPLATE ①.
- B- MARK VERTICAL SHOWER CENTERLINE AND SHOWERHEAD DISCHARGE HEIGHT.
- C- PLACE WALL TEMPLATE ① ALIGNING TOP ② AND BOTTOM ③ NOTCHES ON CENTERLINE OF FIXTURE AND SIDE NOTCHES ④ AT SHOWERHEAD DISCHARGE HEIGHT.
- D- ANCHOR TEMPLATE TO WALL AT MOUNTING POINTS ⑤ WITH WALL ANCHORING HARDWARE BY OTHERS.
- E- ROUGH-IN SUPPLIES IN DESIGNATED AREA.
- F- FLUSH SUPPLIES OF ALL FOREIGN MATERIALS INCLUDING PIPE DOPE, PIPE CHIPS, SOLDER, SAND, ETC.
- G- INSTALLATION CONTINUES ON DWG #9900-081-001 FOR 482 AND 482-ADA MODELS AND DWG 9900-082-001 FOR 486 AND 486-ADA MODELS.



ACORN ENGINEERING COMPANY
 P.O. BOX 3527 INDUSTRY, CA. 91744
 (626) 336-4561 FAX (626) 961-2200

TITLE ECO-RAIN MODEL *482, *482ADA, *486, & *486ADA ROUGH-INS		
MANUFACTURE DATE OCTOBER 2000 TO PRESENT	DATE ISSUED 12/12/01	DRAWING NUMBER 9900-080-001
	DATE REVISED	