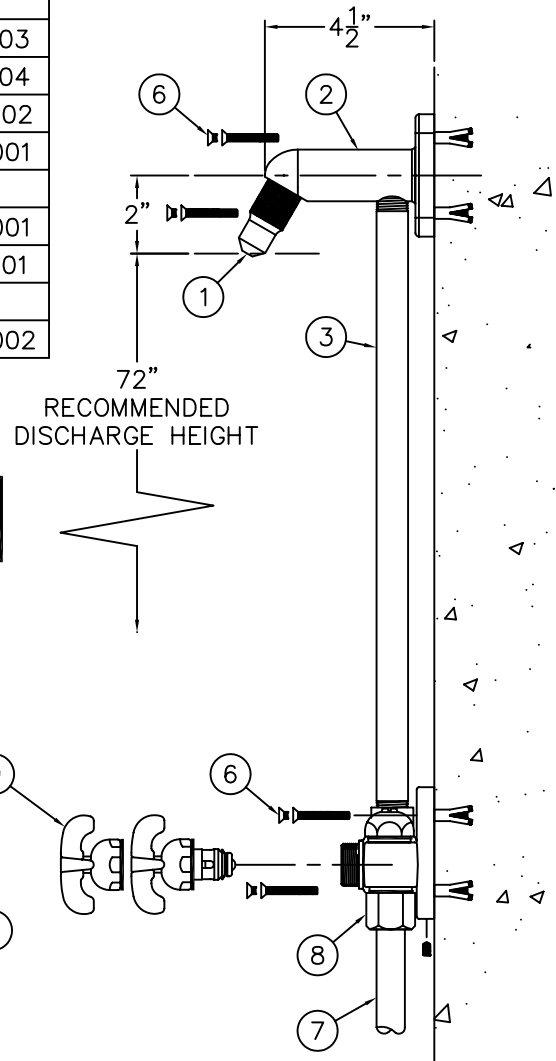
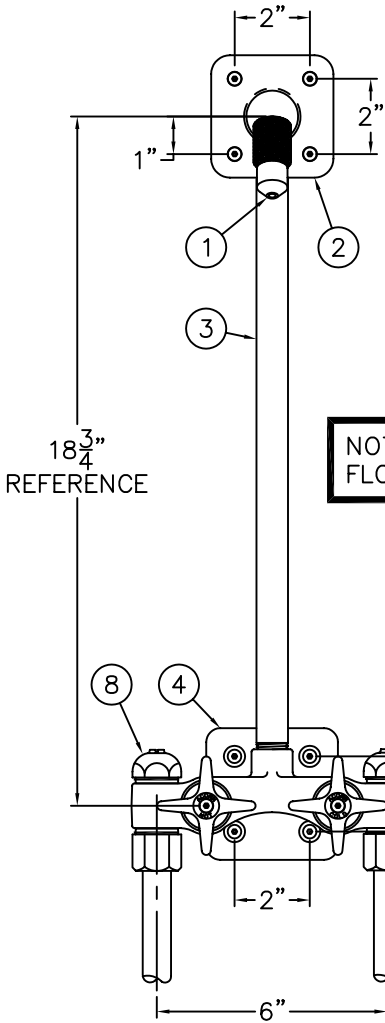




REFERENCE DRAWINGS	
SHOWERHEAD	9970-110-003
NOZZLE	9970-101-004
STOPS	9975-125-002
FLO-CLOZ CARTRIDGE	9975-000-001
VALVE BODY PARTS	
FLO-CLOZ -H & C	9975-060-001
FLO-CLOZ -S/T	9975-061-001
SUPPLEMENTARY DRAWINGS	
ANCHOR PLATE	9900-320-002

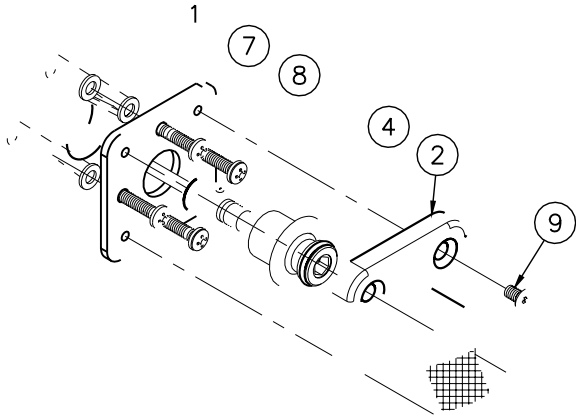
NOTE: MODEL SHOWN IS 521 HOT & COLD FLO-CLOZ VALVE.



NOTE: TEFLON TAPE RECOMMENDED ON MALE THREADED RISER/INLET CONNECTIONS.

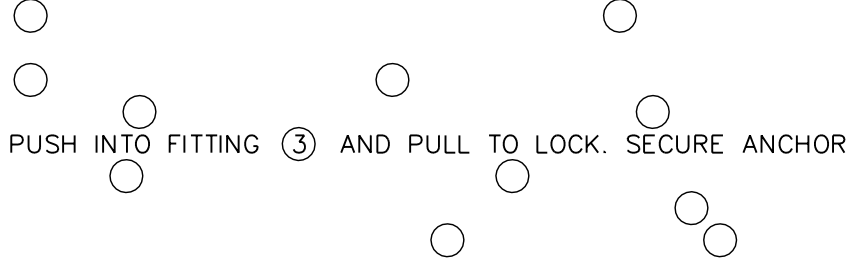
- A- ASSEMBLE SHOWER NOZZLE (1), SHOWERHEAD BASE (2), SHOWERHEAD RISER (3) AND VALVE BASE ASSEMBLY (4) TOGETHER.
- B- USING COMPLETED SHOWER ASSEMBLY AS A TEMPLATE, LOCATE AND INSTALL WALL ANCHORS (5) BY OTHERS AT DESIRED SHOWERHEAD HEIGHT.
- C- ANCHOR ASSEMBLY TO WALL USING 1/4-20 x 1-1/2" LONG HARDWARE PROVIDED (6).
- D- CONNECT 1/2" NPS X 25" LONG CHROME PLATED SUPPLY INLET RISER(S) (7) PROVIDED TO UNION INLET CONNECTION (8) ON VALVE BASE (4) USING 40 TO 50 LBS TORQUE. MAKE UP 1/2" NPS SUPPLY CONNECTION(S) BY OTHERS TO CHROME PLATED SUPPLY INLET(S) (7). FLUSH SUPPLY LINE(S) THOROUGHLY.
- E- INSTALL VALVE CARTRIDGE(S) (9). TIGHTEN BONNET(S) TO 30 LBS TORQUE.

<p>ACORN ENGINEERING COMPANY P.O. BOX 3527 INDUSTRY, CA. 91744 (626) 336-4561 FAX (626) 961-2200</p>	<p>TITLE <b>ZENITH EXPOSED FLO-CLOZ VALVE</b></p>		
	<p>MANUFACTURE DATE</p> <p><b>SEPT 1968</b></p> <p><b>TO PRESENT</b></p>	<p>DATE ISSUED</p> <p><b>12/01/89</b></p> <p>DATE REVISED</p> <p><b>11/08/06</b></p>	<p>DRAWING NUMBER</p> <p><b>9900-305-001</b></p>



**SHOWERHEAD HAVING -A ANCHOR PLATE OPTION FOR ZENITH WITH 3/8" PE TUBING RISER CONNECTION**

PRIOR TO MAKING UP CONNECTIONS TO VALVE ASSEMBLY, FLUSH SUPPLY LINES THOROUGHLY. INSTALL WALL ANCHORS

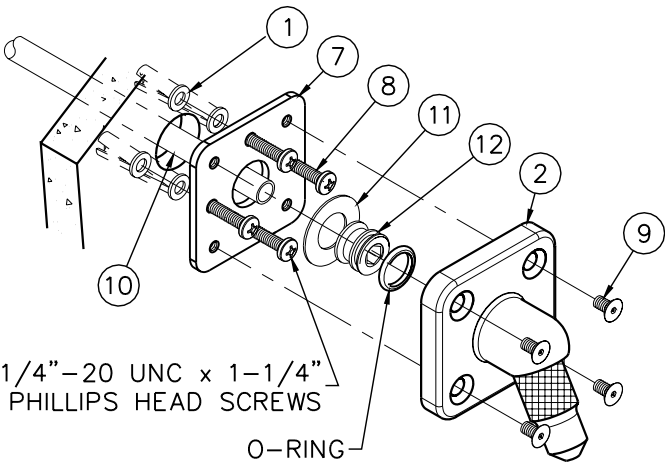
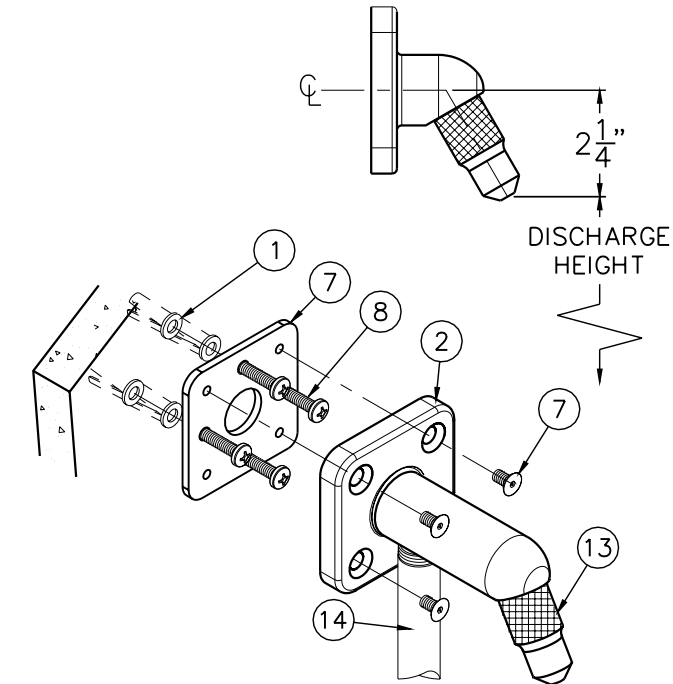


**SHOWERHEAD HAVING -A ANCHOR PLATE OPTION FOR ZENITH WITH EXPOSED 1/2" NPT RISER CONNECTION**

ASSEMBLE SHOWER NOZZLE (13), SHOWERHEAD BASE (2), SHOWERHEAD RISER (14) AND VALVE BASE ASSEMBLY (NOT SHOWN REFER TO DRAWING 9900-305-001) TOGETHER. USING COMPLETED SHOWER ASSEMBLY AS A TEMPLATE, LOCATE AND INSTALL WALL ANCHORS (1) BY OTHERS AT DESIRED SHOWERHEAD HEIGHT. ANCHOR -A ANCHORING PLATE (7) TO WALL USING 1/4" -20 x 1-1/2" LONG HARDWARE PROVIDED (8). SECURE ASSEMBLED SHOWERHEAD BASE (2) TO ANCHORING PLATE (7) USING HARDWARE (8) PROVIDED, AND CONTINUE WITH INSTALLATION AS DISCRIBED ON DRAWING 9900-305-001.

**SHOWERHEAD HAVING -A ANCHOR PLATE OPTION FOR ZENITH WITH 1/2" NCT RISER CONNECTION**

PRIOR TO MAKING UP CONNECTIONS TO VALVE ASSEMBLY, FLUSH SUPPLY LINES THOROUGHLY. USE ANCHOR PLATE (7) AS A TEMPLATE AND INSTALL WALL ANCHORS (1) BY OTHERS. INSTALL 1/2" NCT SHOWER RISER (10) BY OTHERS THRU WALL, ANCHOR PLATE (7) AND STUB-OUT 1" FROM FINISHED WALL. PLACE RETAINING WASHER (11) AND O-RING ADAPTER (12) OVER STUB-OUT (10) AND POSITION AGAINST ANCHOR PLATE (7). REMOVE O-RING BEFORE SOLDERING O-RING ADAPTER (12) TO STUB-OUT (10). REINSTALL O-RING AND INSTALL SHOWERHEAD (2) TO ANCHOR PLATE (7) USING SCREWS (9) PROVIDED.



TITLE		
MANUFACTURE DATE	DATE ISSUED	DRAWING NUMBER
	DATE REVISED	