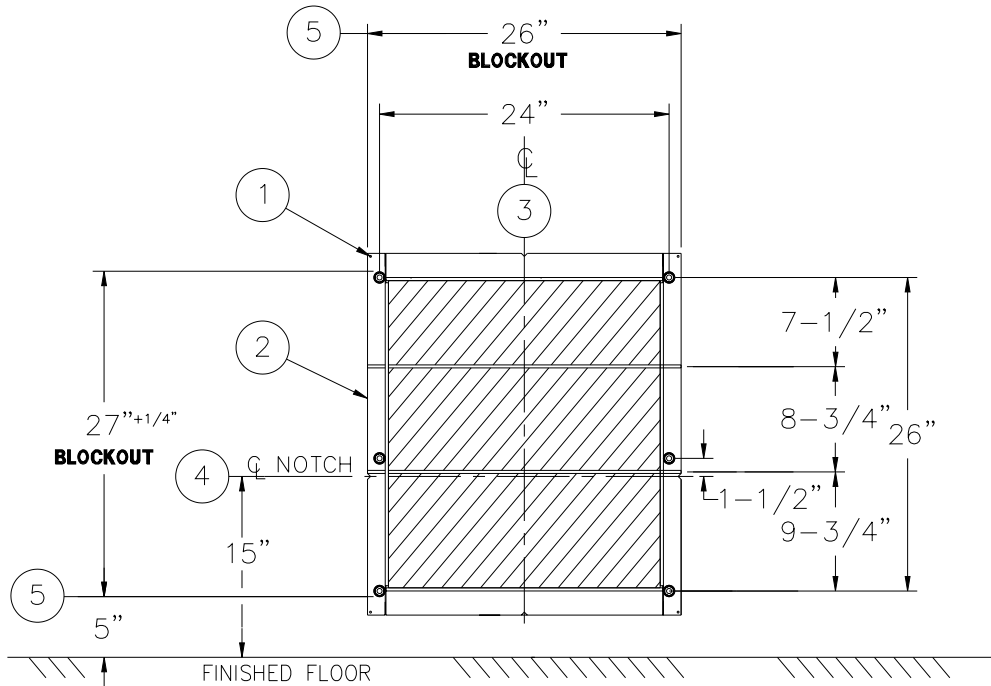


T FRONT ACCESS COMBY ANCHORING CAT. #1426-FA

**APRIL 30, 1998
TO PRESENT**

**3/19/98
07/17/08**

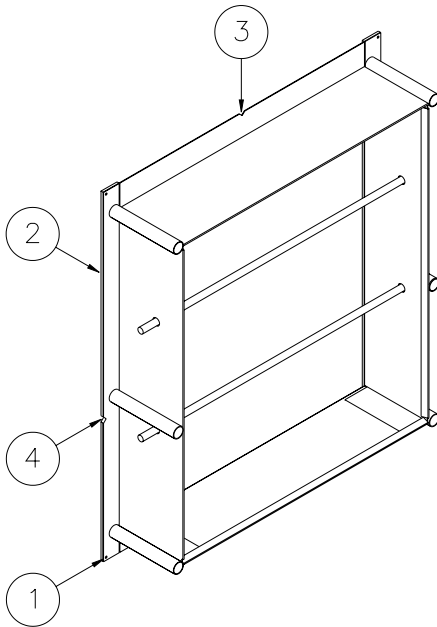
9925-032-002



WALL SLEEVE (-SW)

VIEW IS FROM CELL SIDE

SHADED AREAS ARE REQUIRED WALL OPENINGS



WALL SLEEVE

SLEEVES ARE INSTALLED IN FORMS (USING NAIL HOLES ① PROVIDED) OR GROUTED INTO BLOCK WALLS, BECOMING A PERMANENT PART OF WALL.

- A. INSTALL SLEEVE WITH FLANGE ② ON CHASE SIDE OF WALL.
- B. LOCATE TOP AND BOTTOM NOTCHES AT VERTICAL CENTERLINE ③ OF PLUMBING FIXTURE.
- C. LOCATE SIDE NOTCHES ④ AT DIMENSION SHOWN, MEASURED FROM THE FINISHED FLOOR ON CELL (FIXTURE) SIDE.

NOTES:

- 1. FOR POURED WALL CONSTRUCTION, TEMPORARY BRACING SHOULD BE INSTALLED WITHIN SLEEVE OPENING TO PREVENT DEFORMATION TO SLEEVE WHICH MAY OCCUR DURING POUR. DO NOT POUR CONCRETE DIRECTLY ON TOP OF WALL SLEEVE.
- 2. WHEN SLEEVES ARE NOT AVAILABLE BLOCKOUT FOR SLEEVE OPENING IN WALL PER DIMENSIONS SHOWN ⑤.

WALL SLEEVE (-SW)

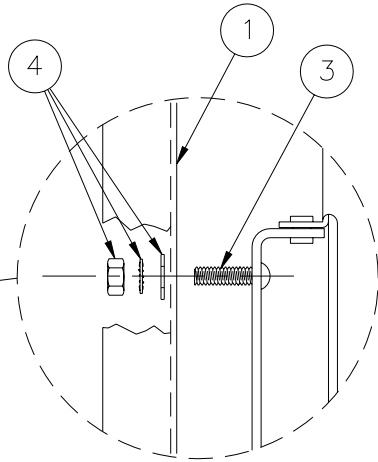


ACORN ENGINEERING COMPANY
 P.O. BOX 3527 INDUSTRY, CA. 91744
 (626) 336-4561 FAX (626) 961-2200

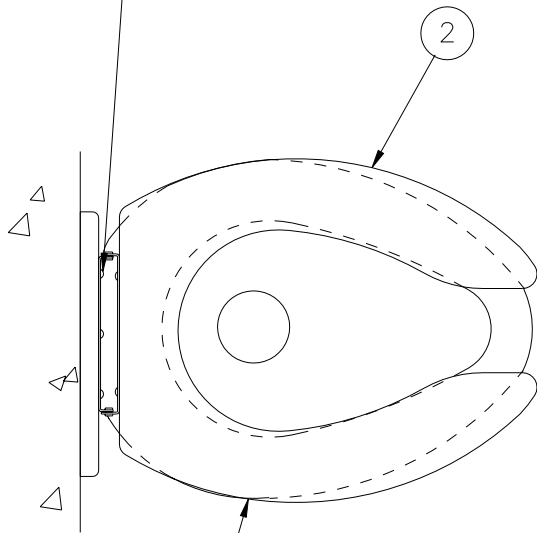
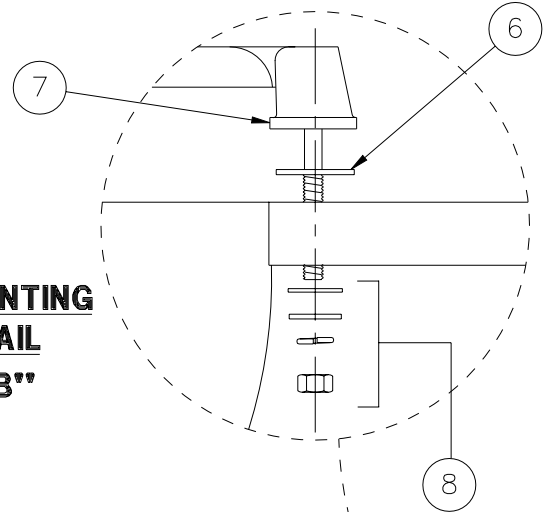
TITLE WALL SLEEVE FRONT ACCESS (CAT. #1426 -FA)		
MANUFACTURE DATE	DATE ISSUED	DRAWING NUMBER
JUNE 1971	9-23-92	9925-209-001
TO PRESENT	DATE REVISED	
	6/17/98	



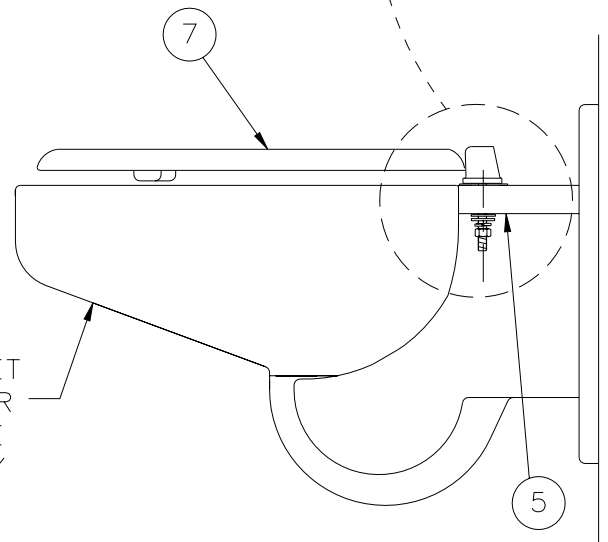
**MOUNTING
DETAIL
"A-A"**



**MOUNTING
DETAIL
"B-B"**



1679 TOILET
SHOWN FOR
REFERENCE
ONLY



1675 TOILET
SHOWN FOR
REFERENCE
ONLY

**INSTALLATION INSTRUCTIONS-COMBY AND 1679 TOILET
PRIOR TO MOUNTING FIXTURE ON WALL:**

- A- LOCATE HINGED SEAT MOUNTING HOLES ON FIXTURE ①.
- B- POSITION HINGED SEAT ② AGAINST UNIT ① BY INSERTING SCREWS ③ INTO MOUNTING HOLES.
- C- ASSEMBLE NUT, WASHER AND LOCK-WASHER ④ AS SHOWN IN MOUNTING DETAIL "A-A".

**INSTALLATION INSTRUCTIONS-TOILETS
PRIOR TO MOUNTING FIXTURE ON WALL:**

- A- LOCATE HINGED SEAT MOUNTING HOLES IN FIXTURE ⑤.
- B- INSERT WASHERS ⑥ BETWEEN TOP OF TOILET AND HINGE SEAT ⑦.
- C- POSITION HINGED SEAT ⑦ ON TOP OF UNIT.
- D- ASSEMBLE HARDWARE ⑧ AS SHOWN IN MOUNTING DETAIL "B-B"



ACORN ENGINEERING COMPANY
P.O. BOX 3527 INDUSTRY, CA. 91744
(626) 336-4561 FAX (626) 961-2200

TITLE **-HS HINGED SEAT OPTION INSTALLATION DETAIL - COMBYS AND TOILETS**

MANUFACTURE DATE
FEBRUARY 1999
TO PRESENT

DATE ISSUED
02/22/99
DATE REVISED
03/26/01

DRAWING NUMBER
9925-048-001



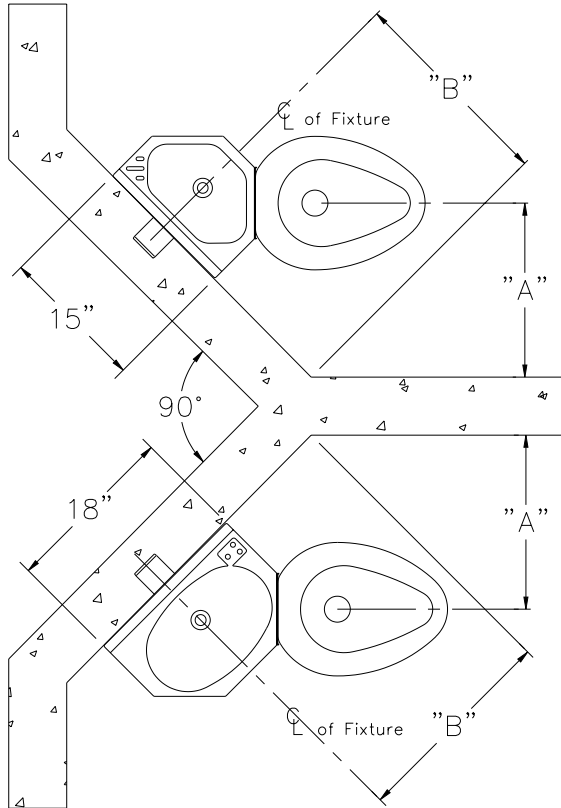
Model #	Dimensions	
	"A"	"B"
1415	15"	18"
1415	18"	22"

Note:
"B" Dimensions are taken from cell side.

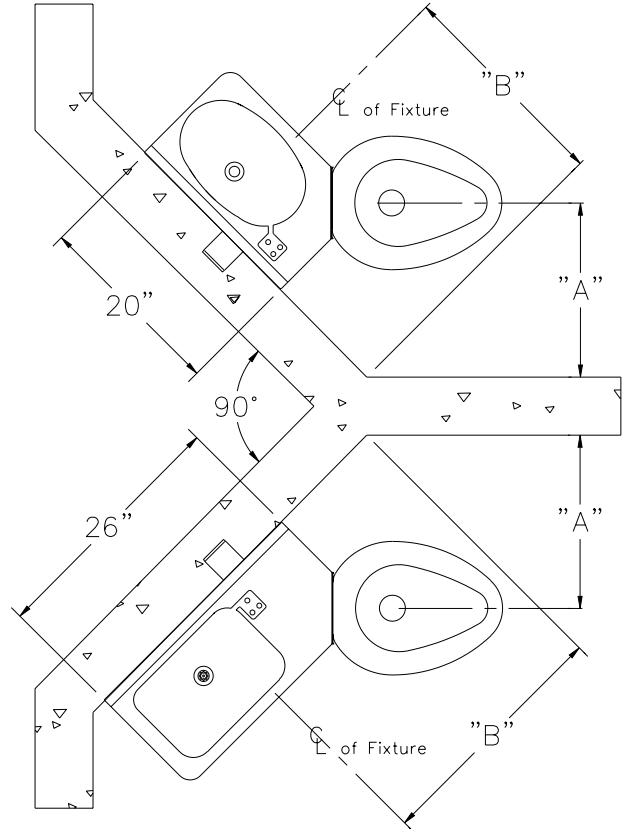
Model #	Dimensions	
	"A"	"B"
1420	15"	18"
1420	18"	23"

Note:
"B" Dimensions are taken from cell side.

1415-AL Angled left shown
-AR Angled right opposite



1420-AL Angled left shown
-AR Angled right opposite



1418-AR Angled right shown
-AL Angled left opposite

Model #	Dimensions	
	"A"	"B"
1418	15"	17"
1418	18"	22"

Note:
"B" Dimensions are taken from cell side.

Model #	Dimensions	
	"A"	"B"
1426	15"	21"
1426	18"	26"

Note:
"B" Dimensions are taken from cell side.

THIS SHEET IS INTENDED TO ASSIST INSTALLER WITH LOCATION OF UNIT CENTERLINE ON CHASE WALL WHEN ANGLED TOILET BOWLS ARE SPECIFIED.

ACORN ENGINEERING COMPANY P.O. BOX 3527 INDUSTRY, CA. 91744 (626) 336-4561 FAX (626) 961-2200	TITLE CELL LAYOUT FOR COMBY FIXTURES WITH -AL/-AR ANGLED TOILET BOWLS		
	MANUFACTURE DATE JUNE 1997 TO PRESENT	DATE ISSUED 6/5/97	DRAWING NUMBER 9925-038-001
		DATE REVISED	