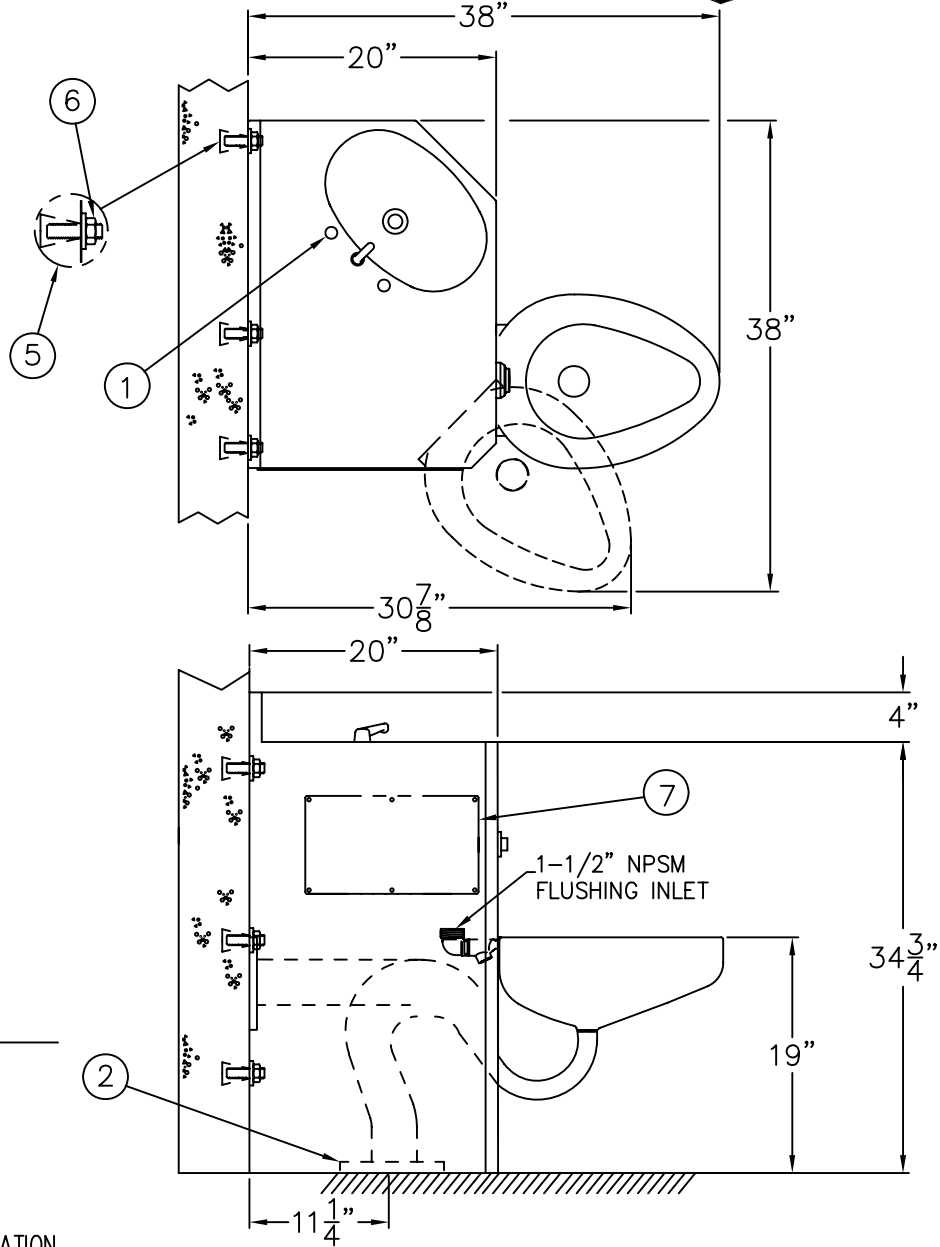
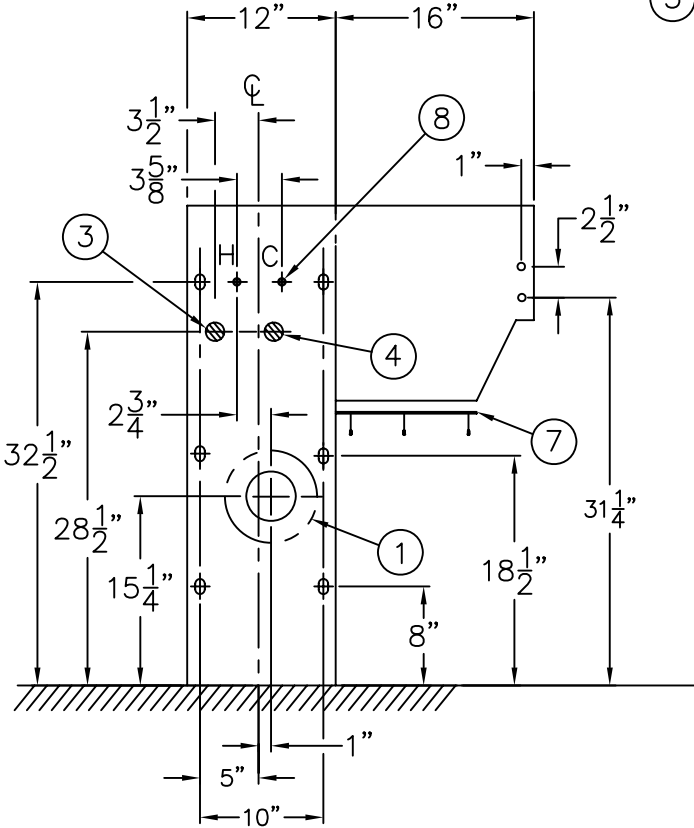




REFERENCE DRAWINGS	
-4 AIR-CONTROL HOT & COLD	9905-000-003
-3 AIR-CONTROL SINGLE TEMP	9905-001-003
-SW WALL SLEEVE	9925-206-001

**L.H. UNIT SHOWN/R.H. OPPOSITE  
VIEW SHOWN FROM FIXTURE SIDE**



**INSTALLATION INSTRUCTIONS:**

**IMPORTANT:** SOME OPTIONS MAY SLIGHTLY ALTER INSTALLATION PROCEDURES. READ ALL SUPPLEMENTAL DRAWINGS BEFORE INSTALLATION OF FIXTURE. ALL FASTENERS, PLATES AND NUTS PROVIDED ARE ESSENTIAL IN PROPERLY ANCHORING THE FIXTURE. ACORN CANNOT ASSUME ANY RESPONSIBILITY FOR UNITS IMPROPERLY INSTALLED.

**A- ROUGH-IN PLUMBING FOR THE FOLLOWING CONNECTIONS:**

- TOILET WALL WASTE CONNECTION 7-1/2" DIA. RECESSED GASKET FLANGE (1).
- **TOILET FLOOR WASTE OUTLET:** - 7-1/2" DIA RECESSED GASKET FLANGE WITH 5/16" TAPPINGS AT 6" O/C (2).
- FLUSH VALVE INLET CONNECTION 1" NPT FEMALE (3).
- LAVY WASTE CONNECTION 1-1/2" O.D. P-TRAP (4).
- SEE INDIVIDUAL VALVE SHEET FOR LAVY VALVE ROUGH-IN (8).

- B- INSTALL 1/2" WALL ANCHORS (5) BY OTHERS. SECURE (6) 1/2"-13 STUDS (6) INTO WALL ANCHORS.
- C- BEFORE FASTENING FIXTURE TO THE WALL, FLOOR OUTLET TYPE FIXTURES MUST BE SET IN PLACE ON WASTE CONNECTION.
- D- LOCATE FIXTURE INTO PLACE, REMOVE ACCESS PANELS, (7) SECURE FIXTURE TO STUDS (6) WITH NUTS AND WASHERS, MAKE SUPPLY AND WASTE CONNECTIONS AS REQUIRED.

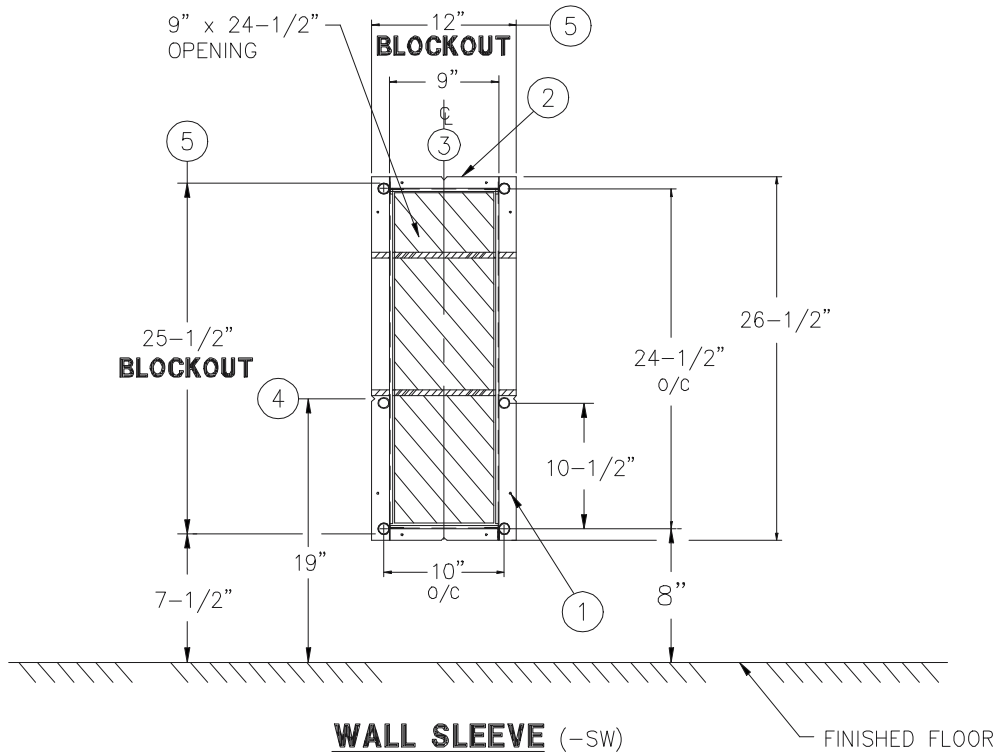
**HYDRAULIC FLUSH VALVE NOTES:**

1. DO NOT CUT LENGTH OF TUBING PROVIDED.
2. DO NOT TAPE OR FIX TUBING IN A STATIONARY POSITION.

ACORN ENGINEERING COMPANY P.O. BOX 3527 INDUSTRY, CA. 91744 (626) 336-4561 FAX (626) 961-2200	<b>TITLE 1428-FA HANDICAP NON-ADA LAV-TOILET COMBY ANCHORING INSTRUCTIONS</b>		
	MANUFACTURE DATE <b>MAY 1997</b> <b>TO PRESENT</b>	DATE ISSUED <b>05-06-97</b>	DRAWING NUMBER <b>9925-033-001</b>
	DATE REVISED <b>7/17/08</b>		



**VIEW IS FROM CELL SIDE**



**INSTALLATION INSTRUCTIONS**

**WALL SLEEVES (-SW)**

SLEEVES ARE INSTALLED IN FORMS (USING NAIL HOLES ① PROVIDED) OR GROUTED INTO BLOCK WALLS, BECOMING A PERMANENT PART OF THE WALL.

- A- INSTALL SLEEVE WITH FLANGE ② ON CHASE SIDE OF WALL.
- B- TOP AND BOTTOM NOTCHES TO BE LOCATED AT VERTICAL CENTERLINE ③ OF SLEEVE.
- C- SIDE NOTCHES ④ TO BE LOCATED AT 19" ABOVE THE FINISHED CELL SIDE FLOOR (INTEGRAL TOILET SEAT HEIGHT).
- D- WHEN SLEEVES ARE NOT AVAILABLE USE BLOCKOUT DIMENSIONS SHOWN ⑤.

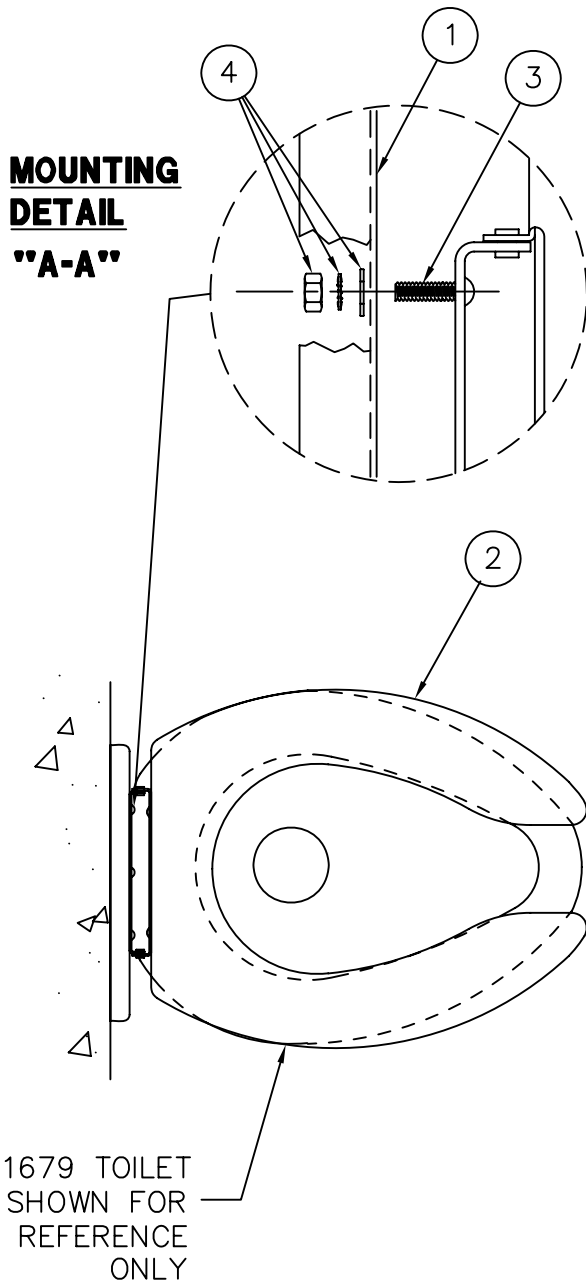


**ACORN ENGINEERING COMPANY**  
 P.O. BOX 3527 INDUSTRY, CA. 91744  
 (626) 336-4561 FAX (626) 961-2200

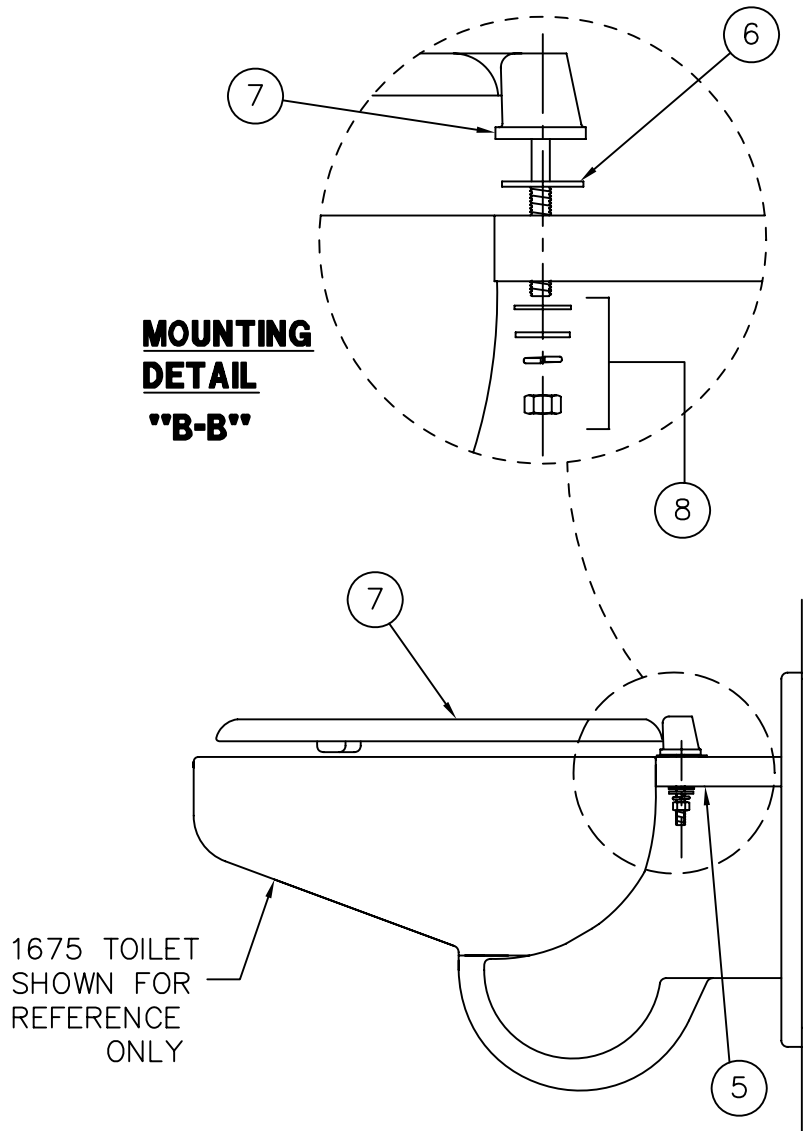
<b>TITLE -SW WALL SLEEVE 1428 -FA FRONT ACCESS HANDICAP COMBY</b>		
<b>MANUFACTURE DATE</b> JUNE 1971 TO PRESENT	<b>DATE ISSUED</b> 08-01-93	<b>DRAWING NUMBER</b> 9925-206-001
	<b>DATE REVISED</b> 03-12-99	



**MOUNTING  
DETAIL  
"A-A"**



**MOUNTING  
DETAIL  
"B-B"**



**INSTALLATION INSTRUCTIONS-COMBY AND 1679 TOILET  
PRIOR TO MOUNTING FIXTURE ON WALL:**

- A- LOCATE HINGED SEAT MOUNTING HOLES ON FIXTURE ①.
- B- POSITION HINGED SEAT ② AGAINST UNIT ① BY INSERTING SCREWS ③ INTO MOUNTING HOLES.
- C- ASSEMBLE NUT, WASHER AND LOCK-WASHER ④ AS SHOWN IN MOUNTING DETAIL "A-A".

**INSTALLATION INSTRUCTIONS-TOILETS  
PRIOR TO MOUNTING FIXTURE ON WALL:**

- A- LOCATE HINGED SEAT MOUNTING HOLES IN FIXTURE ⑤.
- B- INSERT WASHERS ⑥ BETWEEN TOP OF TOILET AND HINGE SEAT ⑦.
- C- POSITION HINGED SEAT ⑦ ON TOP OF UNIT.
- D- ASSEMBLE HARDWARE ⑧ AS SHOWN IN MOUNTING DETAIL "B-B"



ACORN ENGINEERING COMPANY  
P.O. BOX 3527 INDUSTRY, CA. 91744  
(626) 336-4561 FAX (626) 961-2200

TITLE **-HS HINGED SEAT OPTION INSTALLATION DETAIL - COMBYS AND TOILETS**

MANUFACTURE DATE  
**FEBRUARY 1999  
TO PRESENT**

DATE ISSUED  
**02/22/99**  
DATE REVISED  
**03/26/01**

DRAWING NUMBER  
**9925-048-001**