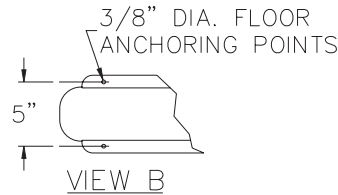
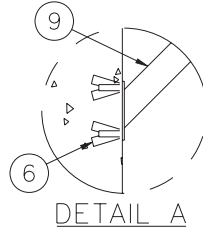
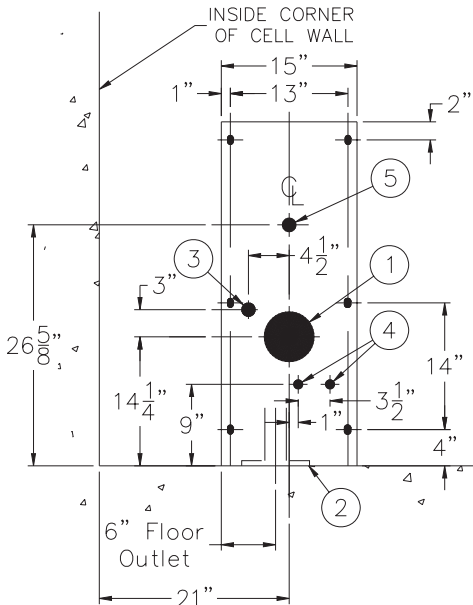


PENAL-WARE FIXTURES



REFERENCE DRAWINGS	
ITEM	INSTALLATION
AIR CONTROL (HOT & COLD)	9905-000-003
AIR CONTROL (SINGLE TEMP)	9905-001-003
WALL SLEEVE	9925-087-001



ROUGH-IN VIEW SHOWN FROM FIXTURE/CELL SIDE

-AL ANGLED LEFT ROUGH-INS SHOWN
-AR ANGLED RIGHT MODEL OPPOSITE

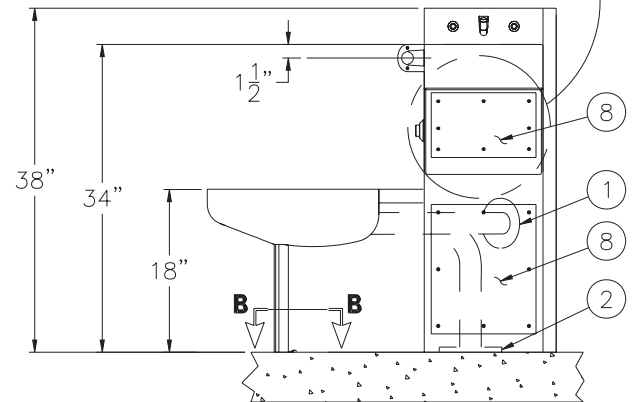
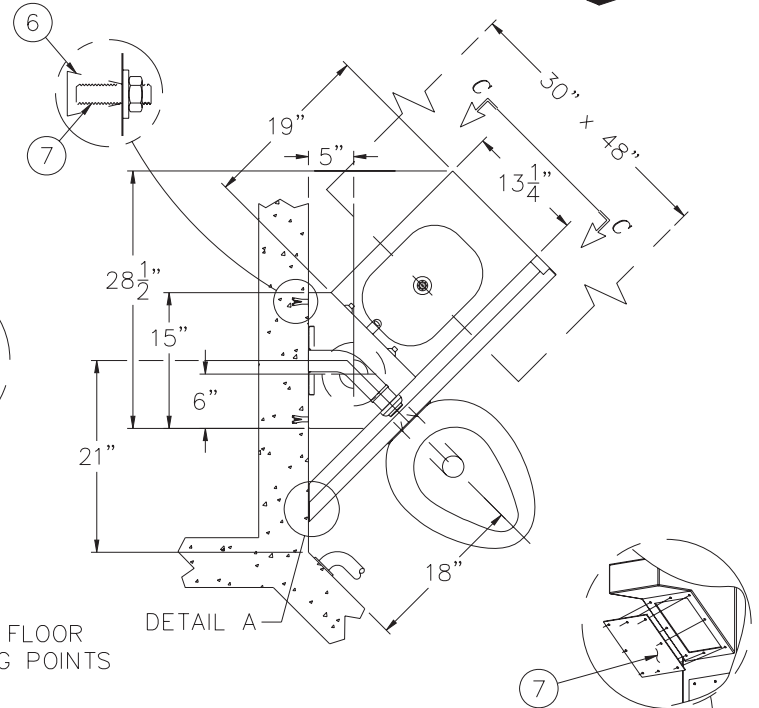
IMPORTANT: SOME OPTIONS MAY SLIGHTLY ALTER INSTALLATION PROCEDURES. READ ALL SUPPLEMENTAL DRAWINGS BEFORE INSTALLATION OF FIXTURE. ALL FASTENERS, PLATES, AND NUTS ARE ESSENTIAL IN PROPERLY ANCHORING THE FIXTURE. ACORN CANNOT ASSUME RESPONSIBILITY FOR UNITS IMPROPERLY INSTALLED.

A- ROUGH-IN PLUMBING FOR THE FOLLOWING CONNECTIONS:

- TOILET WALL WASTE OUTLET (1): 5-1/2" DIAMETER RECESSED GASKET FLANGE.
- TOILET FLOOR WASTE OUTLET (2): 7-1/2" DIAMETER RECESSED GASKET FLANGE.
- FLUSH VALVE INLET CONNECTION 1" NPT FEMALE (3).
- VALVE INLET(S) (4): 1/2" NPS HOSE END.
- LAVY WASTE: 1-1/2" OD (5) PLAIN END.

B- INSTALL WALL ANCHORS (6) BY OTHERS AND THREAD 1/2"-13 UNC STUDS (7) PROVIDED THRU MOUNTING SLOTS. FOR UNITS WITH OPTIONAL -SW WALL SLEEVE SECURE STUDS TO SLEEVE ANCHOR TAPINGS.

D- BEFORE FASTENING FIXTURE TO WALL, FLOOR OUTLET TYPE FIXTURE MUST BE SET IN PLACE ON WASTE CONNECTION.



D- INSTALL HYDRAULIC FLUSH VALVE AND PUSHBUTTON (SHIPPED LOOSE) TO CABINET.

E- REMOVE ACCESS PANELS (8), POSITION FIXTURE INTO PLACE AND SECURE TO WALL USING STUDS, WASHERS AND NUTS PROVIDED. TORQUE NUTS TO 60 FT-LBS. MAKE UP SUPPLY AND WASTE CONNECTIONS AS REQUIRED. LAVY WASTE OUTLET 1-1/2" OD PLAIN END IS SUITABLE FOR COMPRESSION CONNECTION.

F- SECURE GRAB BAR (9) TO WALL USING WALL ANCHORS BY OTHERS (6) AND ANCHORING HARDWARE PROVIDED.

HYDRAULIC FLUSH VALVE NOTES:

- DO NOT CUT LENGTH OF TUBING PROVIDED.
- DO NOT TAPE OR FIX TUBING IN A STATIONARY POSITION.

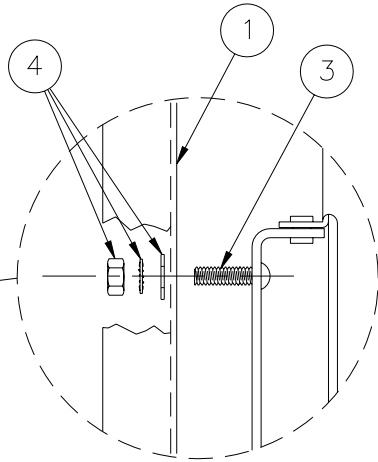


P.O. BOX 3527 INDUSTRY, CA. 91744
(626) 336-4561 FAX (626) 961-2200

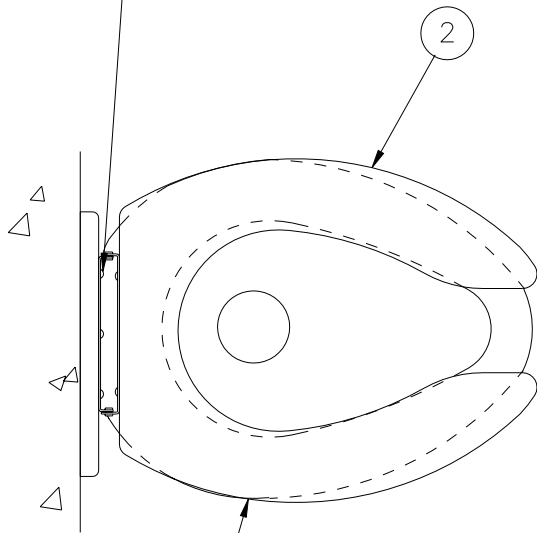
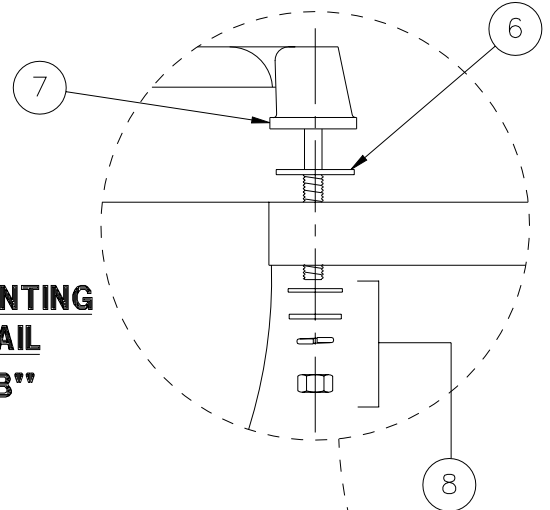
TITLE ADA COMPLIANT LAV-TOILET COMBY ANCHORING INST ~1432FA		
MANUFACTURE DATE FEBRUARY 2008 TO PRESENT	DATE ISSUED 02/19/08	DRAWING NUMBER 9925-079-001
	DATE REVISED	



**MOUNTING
DETAIL
"A-A"**

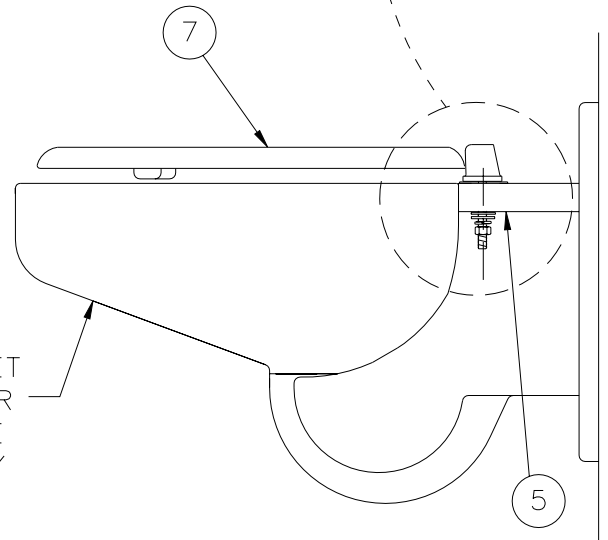


**MOUNTING
DETAIL
"B-B"**



1679 TOILET
SHOWN FOR
REFERENCE
ONLY

1675 TOILET
SHOWN FOR
REFERENCE
ONLY



**INSTALLATION INSTRUCTIONS-COMBY AND 1679 TOILET
PRIOR TO MOUNTING FIXTURE ON WALL:**

- A- LOCATE HINGED SEAT MOUNTING HOLES ON FIXTURE ①.
- B- POSITION HINGED SEAT ② AGAINST UNIT ① BY INSERTING SCREWS ③ INTO MOUNTING HOLES.
- C- ASSEMBLE NUT, WASHER AND LOCK-WASHER ④ AS SHOWN IN MOUNTING DETAIL "A-A".

**INSTALLATION INSTRUCTIONS-TOILETS
PRIOR TO MOUNTING FIXTURE ON WALL:**

- A- LOCATE HINGED SEAT MOUNTING HOLES IN FIXTURE ⑤.
- B- INSERT WASHERS ⑥ BETWEEN TOP OF TOILET AND HINGE SEAT ⑦.
- C- POSITION HINGED SEAT ⑦ ON TOP OF UNIT.
- D- ASSEMBLE HARDWARE ⑧ AS SHOWN IN MOUNTING DETAIL "B-B"



ACORN ENGINEERING COMPANY
P.O. BOX 3527 INDUSTRY, CA. 91744
(626) 336-4561 FAX (626) 961-2200

TITLE **-HS HINGED SEAT OPTION INSTALLATION DETAIL - COMBYS AND TOILETS**

MANUFACTURE DATE
FEBRUARY 1999
TO PRESENT

DATE ISSUED
02/22/99
DATE REVISED
03/26/01

DRAWING NUMBER
9925-048-001