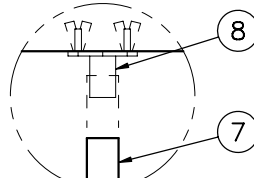
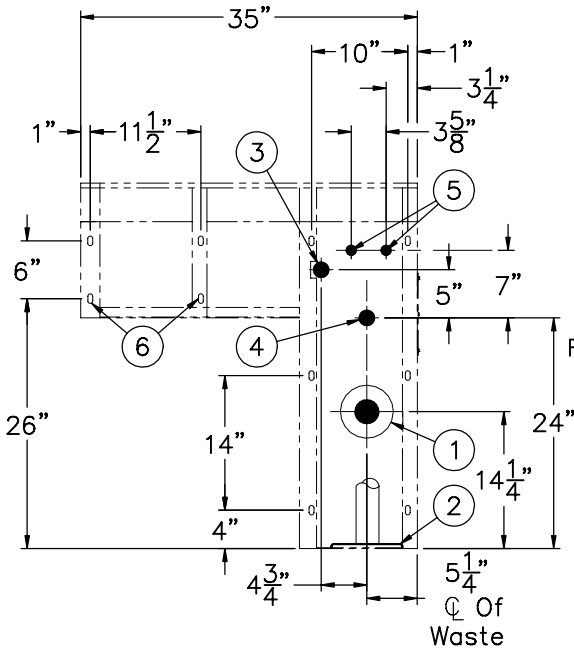


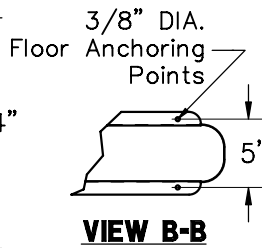


REFERENCE DRAWINGS	
ITEM	INSTALLATION
AIR CONTROL (HOT & COLD)	9905-000-003
AIR CONTROL (SINGLE TEMP)	9905-001-003
WALL SLEEVE	9925-098-001

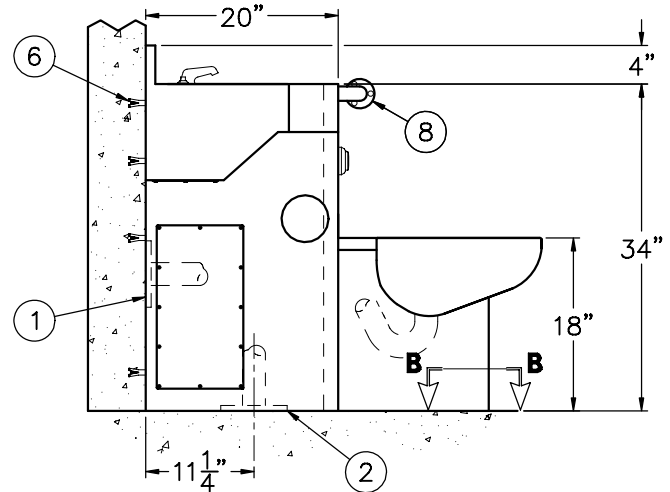
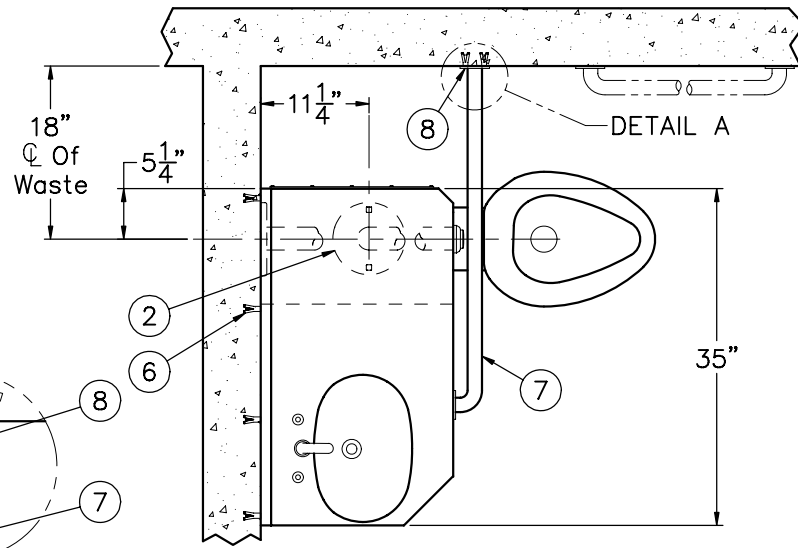
**R.H. UNIT SHOWN, L.H. UNIT OPPOSITE
ROUGH-IN VIEW SHOWN FROM FIXTURE SIDE**



DETAIL A



VIEW B-B



INSTALLATION INSTRUCTIONS

IMPORTANT: SOME OPTIONS MAY ALTER INSTALLATION PROCEDURES. READ ALL SUPPLEMENTAL DRAWINGS BEFORE STARTING. ALL ANCHORING POINTS MUST BE SECURED WITH INSTALLER PROVIDED HARDWARE OR WITH HARDWARE PROVIDED. ACORN ASSUMES NO RESPONSIBILITY FOR UNITS IMPROPERLY INSTALLED.

- A- ROUGH-IN PLUMBING FOR THE FOLLOWING CONNECTIONS:
 - TOILET WALL WASTE OUTLET: 5-1/2" DIA. RECESSED GASKET FLANGE ①.
 - TOILET FLOOR WASTE CONNECTION: 7-1/2" DIA. RECESSED GASKET FLANGE WITH 5/16" TAPPINGS AT 6" O/C ②.
 - FLUSH VALVE INLET CONNECTION: 1" NPT FEMALE ③.
 - LAVY P-TRAP WASTE CONNECTION: 1-1/2" O.D. PLAIN END ④.
 - LAVATORY VALVE WALL SUPPLY CONNECTION: 1/2" NPS ⑤ FEMALE FLEX HOSE CONNECTION.
- B- LOCATE INSTALLER PROVIDED WALL ANCHORS FOR 5/8" DIA. x 1" LONG MOUNTING SLOTS ⑥ (10) PLACES. SECURE WITH INSTALLER PROVIDED FASTENERS. FOR UNITS WITH OPTIONAL -SW WALL SLEEVE: SECURE 1/2"-13 UNC STUDS TO SLEEVE ANCHOR TAPPINGS AND FASTEN WITH HARDWARE PROVIDED.

- C- INSTALL HYDRAULIC FLUSH VALVE AND PUSHBUTTON (SHIPPED LOOSE) TO CABINET.
- D- BEFORE FASTENING FIXTURE TO WALL, FLOOR OUTLET TYPE FIXTURES MUST BE SET IN PLACE ON WASTE CONNECTION.
- E- LOCATE FIXTURE INTO PLACE & REMOVE ACCESS PANELS. SECURE FIXTURE TO WALL ANCHORS ⑥ OR SLEEVE ANCHORS, NUTS AND WASHERS. MAKE SUPPLY AND WASTE CONNECTIONS AS REQUIRED. LAVY WASTE OF 1-1/2" O.D. PLAIN END SUITABLE FOR A COMPRESSION CONNECTION.
- F- INSTALL GRAB BAR ⑦ TO UNIT TO LOCATE WALL BRACKET ⑧ ANCHORING POINTS. REMOVE & MOUNT WALL BRACKET TO WALL. BRACKET PROVIDES HORIZONTAL ADJUSTMENT. SLIDE GRAB BAR ⑦ OVER ADJUSTMENT EXTENSION ⑧ AND SECURE TO UNIT. WALL ANCHORS ARE BY OTHERS.

HYDRAULIC FLUSH VALVE NOTES:

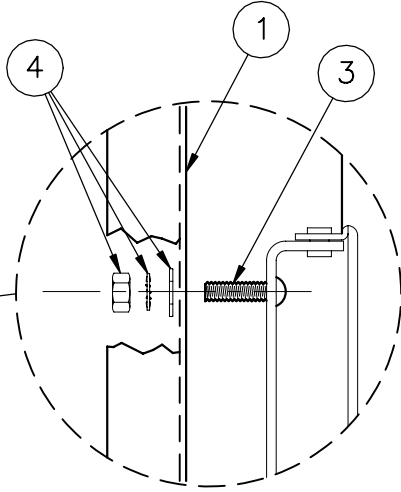
1. DO NOT CUT LENGTH OF TUBING PROVIDED.
2. DO NOT TAPE OR FIX TUBING IN A STATIONARY POSITION.

NOTE: REFER TO A.D.A. ACCESSIBILITY GUIDELINES FOR COMPLETE INSTALLATION REQUIREMENTS.

<p>ACORN ENGINEERING COMPANY P.O. BOX 3527 INDUSTRY, CA. 91744 (626) 336-4561 FAX (626) 961-2200</p>	TITLE ADA COMPLIANT FRONT ACCESS COMBY ANCHORING 1435FA-LO/RO	
	MANUFACTURE DATE APRIL 1999	DATE ISSUED 04/06/99
	TO PRESENT	DATE REVISED 07/17/07
		DRAWING NUMBER 9925-081-001

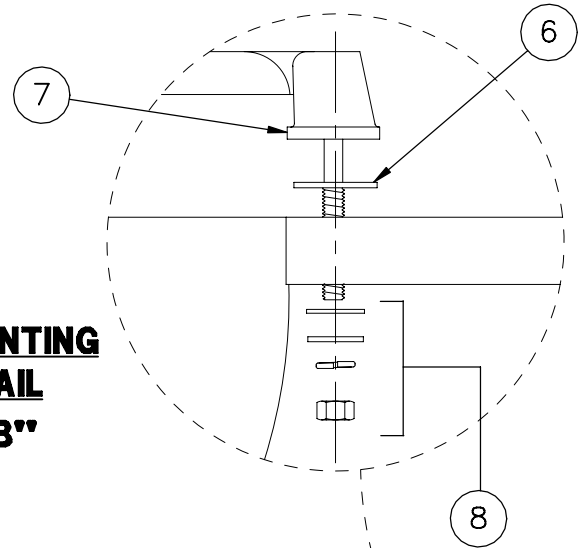


**MOUNTING
DETAIL
"A-A"**



1679 TOILET
SHOWN FOR
REFERENCE
ONLY

**MOUNTING
DETAIL
"B-B"**



1675 TOILET
SHOWN FOR
REFERENCE
ONLY

**INSTALLATION INSTRUCTIONS-COMBY AND 1679 TOILET
PRIOR TO MOUNTING FIXTURE ON WALL:**

- A- LOCATE HINGED SEAT MOUNTING HOLES ON FIXTURE ①.
- B- POSITION HINGED SEAT ② AGAINST UNIT ① BY INSERTING SCREWS ③ INTO MOUNTING HOLES.
- C- ASSEMBLE NUT, WASHER AND LOCK-WASHER ④ AS SHOWN IN MOUNTING DETAIL "A-A".

**INSTALLATION INSTRUCTIONS-TOILETS
PRIOR TO MOUNTING FIXTURE ON WALL:**

- A- LOCATE HINGED SEAT MOUNTING HOLES IN FIXTURE ⑤.
- B- INSERT WASHERS ⑥ BETWEEN TOP OF TOILET AND HINGE SEAT ⑦.
- C- POSITION HINGED SEAT ⑦ ON TOP OF UNIT.
- D- ASSEMBLE HARDWARE ⑧ AS SHOWN IN MOUNTING DETAIL "B-B"



ACORN ENGINEERING COMPANY
P.O. BOX 3527 INDUSTRY, CA. 91744
(626) 336-4561 FAX (626) 961-2200

TITLE **-HS HINGED SEAT OPTION INSTALLATION DETAIL - COMBYS AND TOILETS**

MANUFACTURE DATE
FEBRUARY 1999
TO PRESENT

DATE ISSUED
02/22/99
DATE REVISED
03/26/01

DRAWING NUMBER
9925-048-001