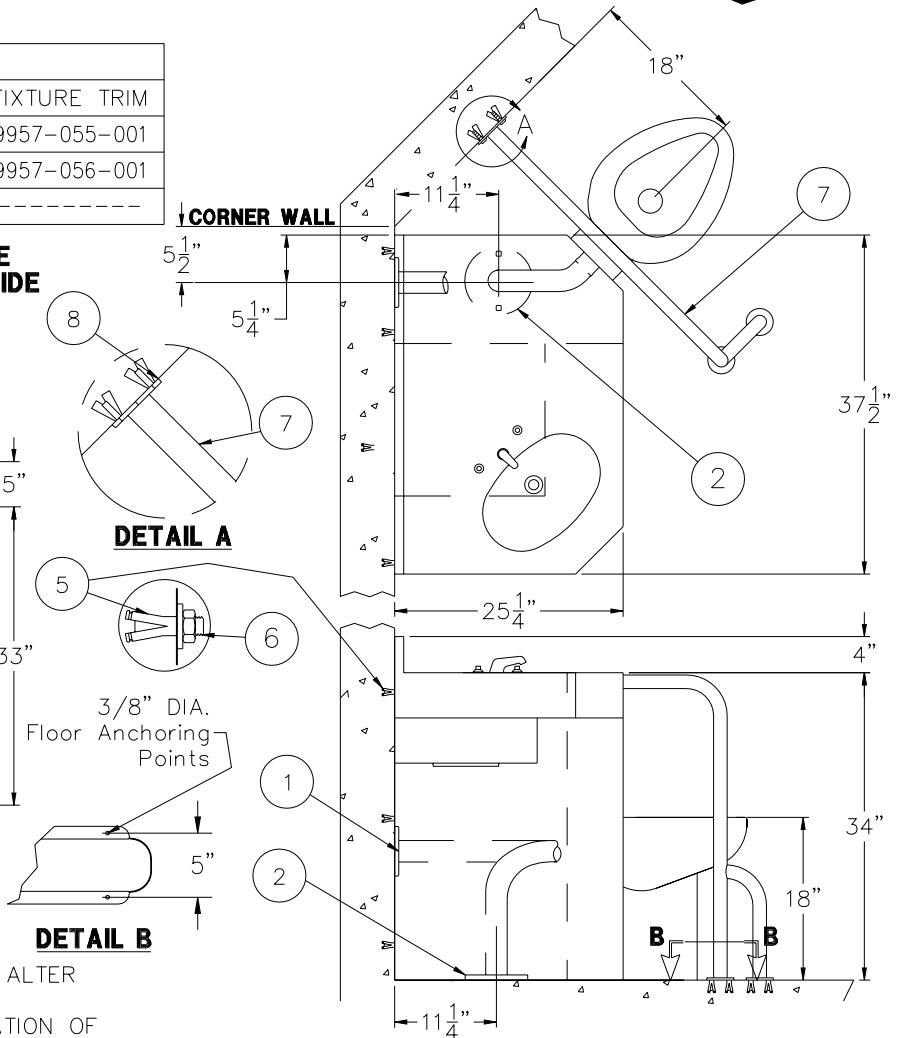
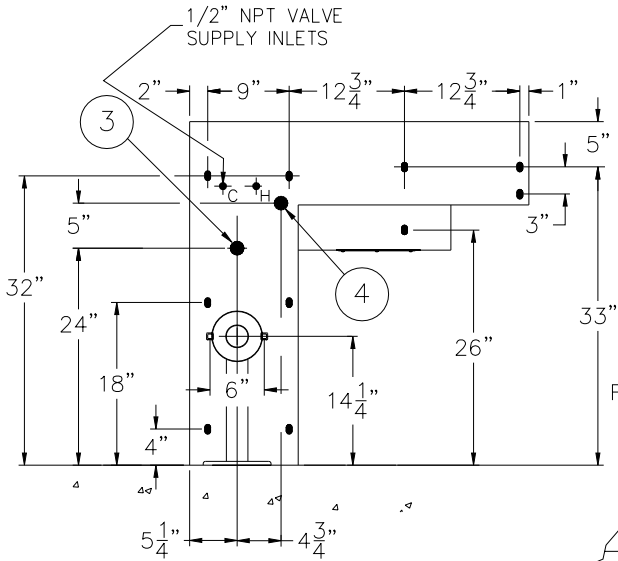




REFERENCE DRAWINGS		
ITEM	INSTALLATION	FIXTURE TRIM
AIR CONTROL (HOT & COLD)	9905-000-003	9957-055-001
AIR CONTROL (SINGLE TEMP)	9905-001-003	9957-056-001
WALL SLEEVE	9925-099-001	-----

**R.H. UNIT SHOWN, L.H. UNIT OPPOSITE  
ROUGH-IN VIEW SHOWN FROM CHASE SIDE**



**DETAIL A**

**DETAIL B**

**IMPORTANT:** SOME OPTIONS MAY SLIGHTLY ALTER INSTALLATION PROCEDURES. READ ALL SUPPLEMENTAL DRAWINGS BEFORE INSTALLATION OF FIXTURE. ALL FASTENERS, PLATES, AND NUTS ARE ESSENTIAL IN PROPERLY ANCHORING THE FIXTURE. ACORN CANNOT ASSUME ANY RESPONSIBILITY FOR UNITS IMPROPERLY INSTALLED.

- A- ROUGH-IN PLUMBING FOR THE FOLLOWING CONNECTIONS:  
 TOILET WALL WASTE OUTLET: 5-1/2" DIA. RECESSED GASKET FLANGE ①  
 -TOILET FLOOR WASTE CONNECTION: 7-1/2" DIA. RECESSED GASKET FLANGE WITH 5/16" TAPPINGS AT 6" O/C ②.  
 -FLUSH VALVE CONNECTION: 1" NPT FEMALE ④  
 -LAVY P-TRAP WASTE CONNECTION: 1-1/2" O.D. PLAIN END ③.  
 -SEE INDIVIDUAL VALVE SHEET FOR LAVY VALVE ROUGH-IN.
- B- INSTALL 1/2" WALL ANCHORS ⑤ BY OTHERS. SECURE (10) 1/2"-13 STUDS ⑥ INTO WALL ANCHORS OR FOR UNITS WITH OPTIONAL -SW WALL SLEEVES; SECURE 1/2"-13 STUDS TO SLEEVE ANCHOR TAPPINGS.

- C- INSTALL HYDRAULIC FLUSH VALVE AND PUSHBUTTON (SHIPPED LOOSE) TO CABINET.
- D- BEFORE FASTENING FIXTURE TO WALL, FLOOR OUTLET TYPE FIXTURES MUST BE SET IN PLACE ON WASTE CONNECTION.
- E- LOCATE FIXTURE INTO PLACE, REMOVE ACCESS PANELS, SECURE FIXTURE TO WALL ANCHORS OR SLEEVE ANCHORS WITH NUTS AND WASHERS. MAKE SUPPLY AND WASTE CONNECTIONS AS REQUIRED. LAVY WASTE OF 1-1/2" O.D. PLAIN END SUITABLE FOR A COMPRESSION CONNECTION.
- F- INSTALL GRAB BAR ⑦ TO UNIT AND LOCATE TO WALL REMOVE GRAB BAR ⑦. INSTALL WALL ANCHOR PLATE ⑧. SLIDE GRAB BAR OVER PLATE AND INSTALL GRAB BAR TO UNIT AND WALL. WALL ANCHORS ARE BY OTHERS. ANCHOR PLATE ⑧ PROVIDES HORIZONTAL ADJUSTMENT.

**HYDRAULIC FLUSH VALVE NOTES:**

1. DO NOT CUT LENGTH OF TUBING PROVIDED.
2. DO NOT TAPE OR FIX TUBING IN A STATIONARY POSITION.

**NOTE: REFER TO A.D.A. ACCESSIBILITY GUIDELINES FOR COMPLETE INSTALLATION REQUIREMENTS.**



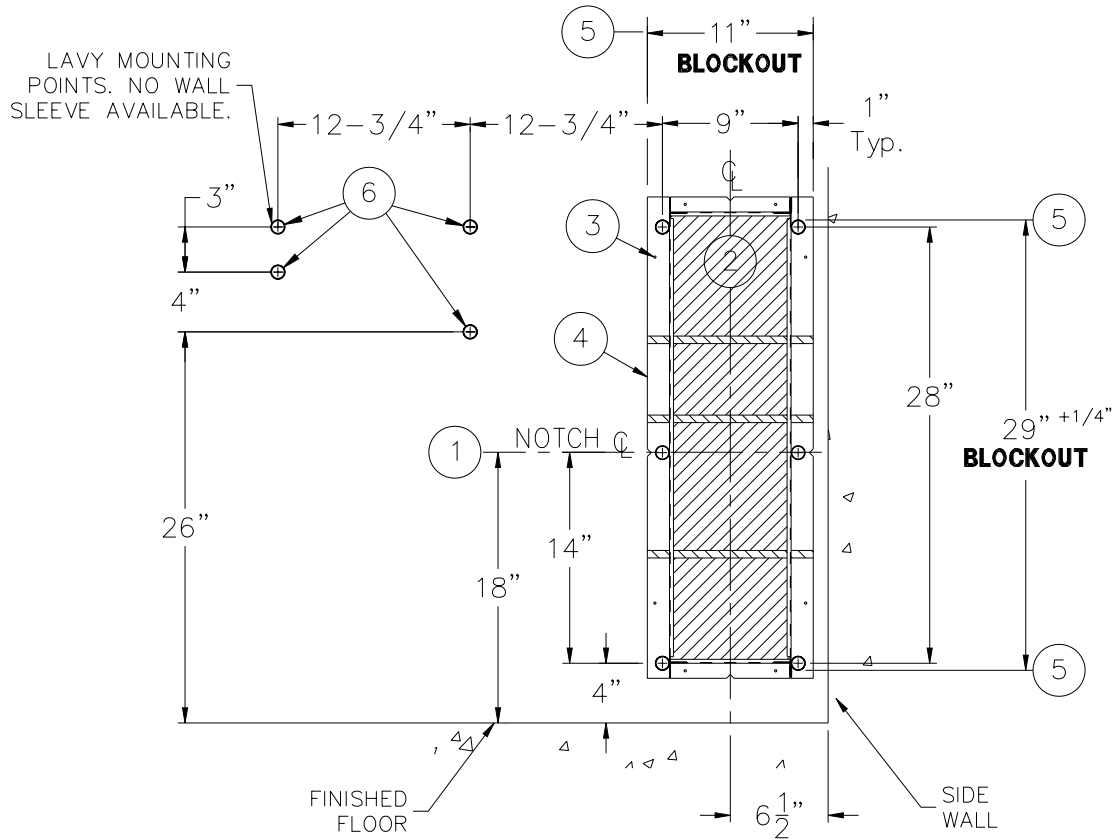
**ACORN ENGINEERING COMPANY**  
 P.O. BOX 3527 INDUSTRY, CA. 91744  
 (626) 336-4561 FAX (626) 961-2200

TITLE <b>ADA COMPLIANT LAV-TOILET COMBY ANCHORING INSTRUCTIONS ~ 1437 AL/AR-FA</b>		
MANUFACTURE DATE <b>DECEMBER 1998 TO PRESENT</b>	DATE ISSUED <b>10/29/01</b>	DRAWING NUMBER <b>9925-083-001</b>
	DATE REVISED <b>11/21/01</b>	



**VIEW FROM CELL SIDE**

- AR ANGLED RIGHT FIXTURE SHOWN
- AL ANGLED LEFT FIXTURE OPPOSITE



**INSTALLATION INSTRUCTIONS**

**WALL SLEEVES (-SW)**

SLEEVES ARE INSTALLED IN FORMS (USING NAIL HOLES ③ PROVIDED) OR GROUTED INTO BLOCK WALLS, BECOMING A PERMANENT PART OF THE WALL.

**NOTE:** FOR POURED WALL CONSTRUCTION, TEMPORARY BRACING SHOULD BE INSTALLED WITHIN SLEEVE OPENING TO PREVENT DEFORMATION TO SLEEVE WHICH MAY OCCUR DURING POUR. DO NOT POUR CONCRETE DIRECTLY ON TOP OF WALL SLEEVE.

- A- INSTALL SLEEVE WITH FLANGE ④ ON CHASE SIDE OF WALL.
- B- TOP AND BOTTOM NOTCHES TO BE LOCATED AT VERTICAL CENTERLINE ② OF SLEEVE.
- C- SIDE NOTCHES ① TO BE LOCATED AT 18" ABOVE THE FINISHED CELL SIDE FLOOR (INTEGRAL TOILET SEAT HEIGHT).
- D- WHEN SLEEVES ARE NOT AVAILABLE USE BLOCKOUT DIMENSIONS SHOWN ⑤.
- E- WALL ANCHORS PROVIDED BY INSTALLER AT LOCATIONS ⑥.



**ACORN ENGINEERING COMPANY**  
 P.O. BOX 3527 INDUSTRY, CA. 91744  
 (626) 336-4561 FAX (626) 961-2200

TITLE **-SW WALL SLEEVE - CAT. #1437-AL/AR -FA**

MANUFACTURE DATE

**DECEMBER 1998**  
**TO PRESENT**

DATE ISSUED

**10/29/01**

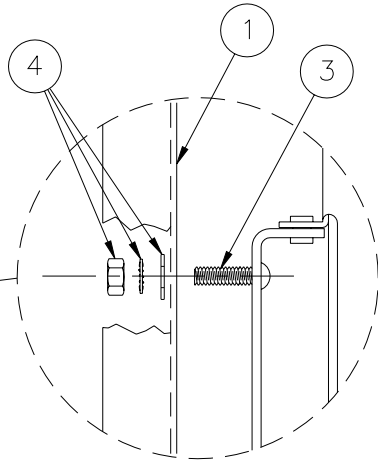
DATE REVISED

DRAWING NUMBER

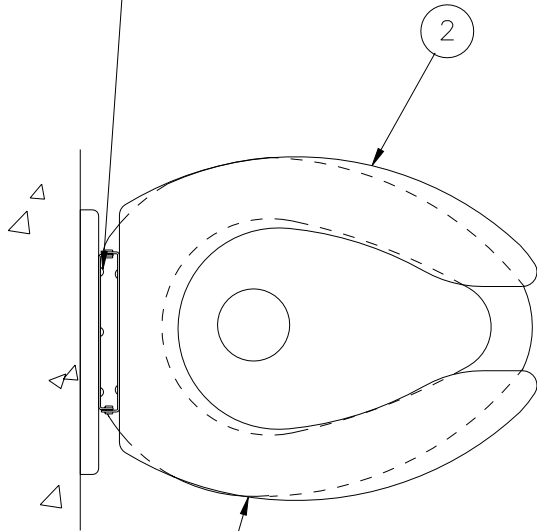
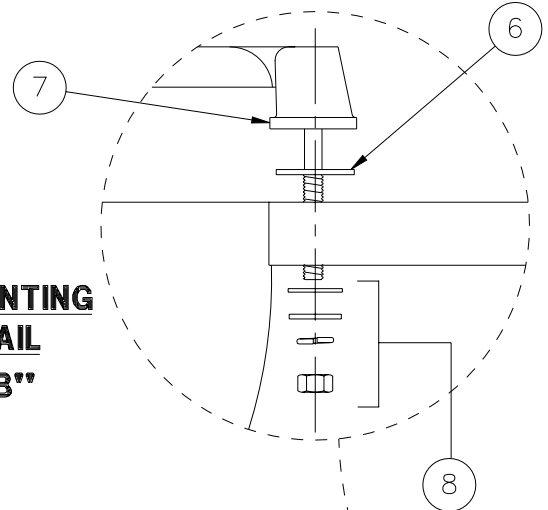
**9925-099-001**



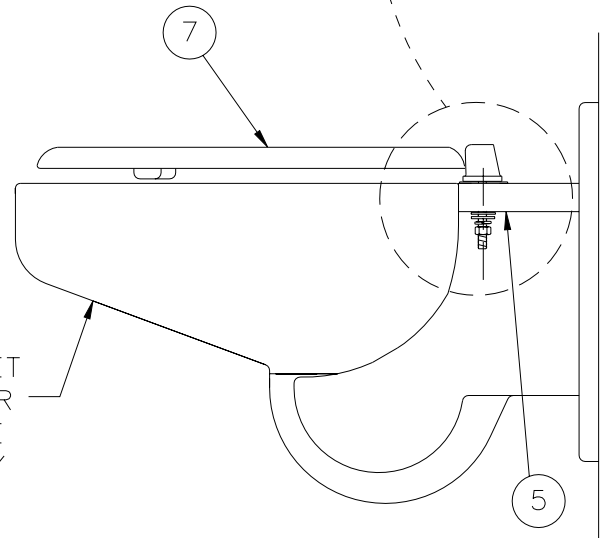
**MOUNTING  
DETAIL  
"A-A"**



**MOUNTING  
DETAIL  
"B-B"**



1679 TOILET  
SHOWN FOR  
REFERENCE  
ONLY



1675 TOILET  
SHOWN FOR  
REFERENCE  
ONLY

**INSTALLATION INSTRUCTIONS-COMBY AND 1679 TOILET  
PRIOR TO MOUNTING FIXTURE ON WALL:**

- A- LOCATE HINGED SEAT MOUNTING HOLES ON FIXTURE ①.
- B- POSITION HINGED SEAT ② AGAINST UNIT ① BY INSERTING SCREWS ③ INTO MOUNTING HOLES.
- C- ASSEMBLE NUT, WASHER AND LOCK-WASHER ④ AS SHOWN IN MOUNTING DETAIL "A-A".

**INSTALLATION INSTRUCTIONS-TOILETS  
PRIOR TO MOUNTING FIXTURE ON WALL:**

- A- LOCATE HINGED SEAT MOUNTING HOLES IN FIXTURE ⑤.
- B- INSERT WASHERS ⑥ BETWEEN TOP OF TOILET AND HINGE SEAT ⑦.
- C- POSITION HINGED SEAT ⑦ ON TOP OF UNIT.
- D- ASSEMBLE HARDWARE ⑧ AS SHOWN IN MOUNTING DETAIL "B-B"



**ACORN ENGINEERING COMPANY**  
P.O. BOX 3527 INDUSTRY, CA. 91744  
(626) 336-4561 FAX (626) 961-2200

TITLE **-HS HINGED SEAT OPTION INSTALLATION DETAIL - COMBYS AND TOILETS**

MANUFACTURE DATE  
**FEBRUARY 1999**  
**TO PRESENT**

DATE ISSUED  
**02/22/99**  
DATE REVISED  
**03/26/01**

DRAWING NUMBER  
**9925-048-001**