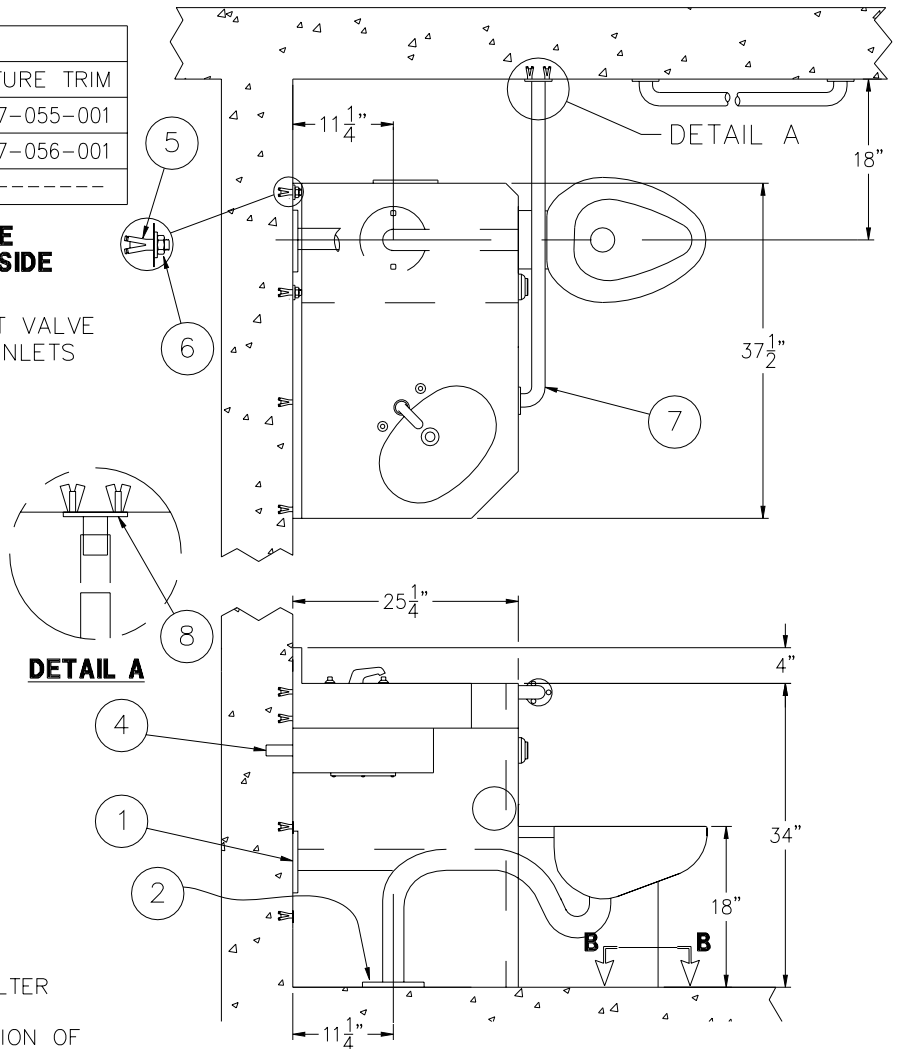
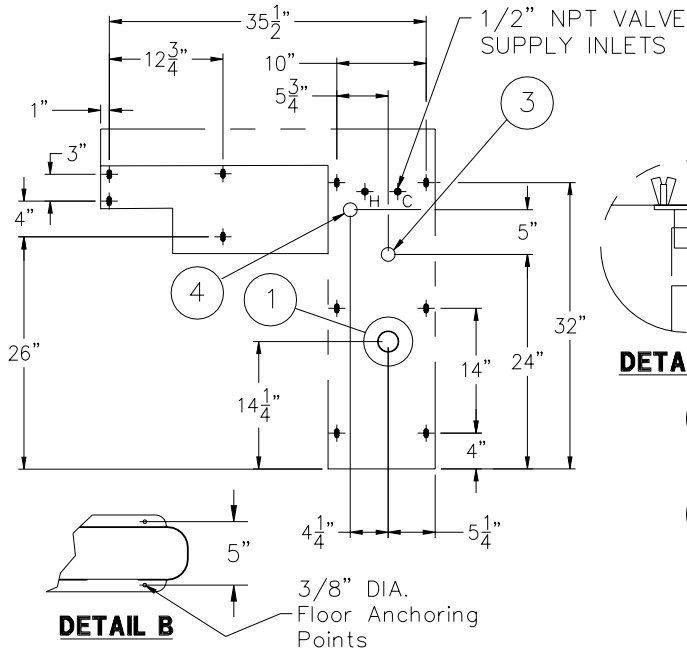




| REFERENCE DRAWINGS | | |
|---------------------------|--------------|--------------|
| ITEM | INSTALLATION | FIXTURE TRIM |
| AIR CONTROL (HOT & COLD) | 9905-000-003 | 9957-055-001 |
| AIR CONTROL (SINGLE TEMP) | 9905-001-003 | 9957-056-001 |
| WALL SLEEVE | 9925-097-001 | ----- |

**R.H. UNIT SHOWN, L.H. UNIT OPPOSITE
ROUGH-IN VIEW SHOWN FROM FIXTURE SIDE**



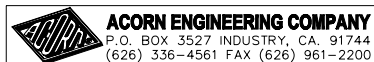
- IMPORTANT:** SOME OPTIONS MAY SLIGHTLY ALTER INSTALLATION PROCEDURES. READ ALL SUPPLEMENTAL DRAWINGS BEFORE INSTALLATION OF FIXTURE. ALL FASTENERS, PLATES, AND NUTS ARE ESSENTIAL IN PROPERLY ANCHORING THE FIXTURE. ACORN CANNOT ASSUME ANY RESPONSIBILITY FOR UNITS IMPROPERLY INSTALLED.
- A- ROUGH-IN PLUMBING FOR THE FOLLOWING CONNECTIONS:
 TOILET WALL WASTE OUTLET: 5-1/2" DIA.
 RECESSED GASKET FLANGE ①
 -TOILET FLOOR WASTE CONNECTION: 7-1/2" DIA.
 RECESSED GASKET FLANGE WITH 5/16" TAPPINGS AT 6" O/C ②.
 -FLUSH VALVE CONNECTION: 1" NPT FEMALE ④
 -LAVY P-TRAP WASTE CONNECTION: 1-1/2" O.D. PLAIN END ③.
 -SEE INDIVIDUAL VALVE SHEET FOR LAVY VALVE ROUGH-IN.
 - B- INSTALL 1/2" WALL ANCHORS ⑤ BY OTHERS. SECURE (10) 1/2"-13 STUDS ⑥ INTO WALL ANCHORS OR FOR UNITS WITH OPTIONAL -SW WALL SLEEVES; SECURE 1/2"-13 STUDS TO SLEEVE ANCHOR TAPPINGS.

- C- INSTALL HYDRAULIC FLUSH VALVE AND PUSHBUTTON (SHIPPED LOOSE) TO CABINET.
- D- BEFORE FASTENING FIXTURE TO WALL, FLOOR OUTLET TYPE FIXTURES MUST BE SET IN PLACE ON WASTE CONNECTION.
- E- LOCATE FIXTURE INTO PLACE, REMOVE ACCESS PANELS, SECURE FIXTURE TO WALL ANCHORS OR SLEEVE ANCHORS WITH NUTS AND WASHERS. MAKE SUPPLY AND WASTE CONNECTIONS AS REQUIRED. LAVY WASTE OF 1-1/2" O.D. PLAIN END SUITABLE FOR A COMPRESSION CONNECTION.
- F- INSTALL GRAB BAR ⑦ TO UNIT AND LOCATE TO WALL REMOVE GRAB BAR ⑦. INSTALL WALL ANCHOR PLATE ⑧. SLIDE GRAB BAR OVER PLATE AND INSTALL GRAB BAR TO UNIT AND WALL. WALL ANCHORS ARE BY OTHERS. ANCHOR PLATE ⑧ PROVIDES HORIZONTAL ADJUSTMENT.

HYDRAULIC FLUSH VALVE NOTES:

1. DO NOT CUT LENGTH OF TUBING PROVIDED.
2. DO NOT TAPE OR FIX TUBING IN A STATIONARY POSITION.

NOTE: REFER TO A.D.A. ACCESSIBILITY GUIDELINES FOR COMPLETE INSTALLATION REQUIREMENTS.

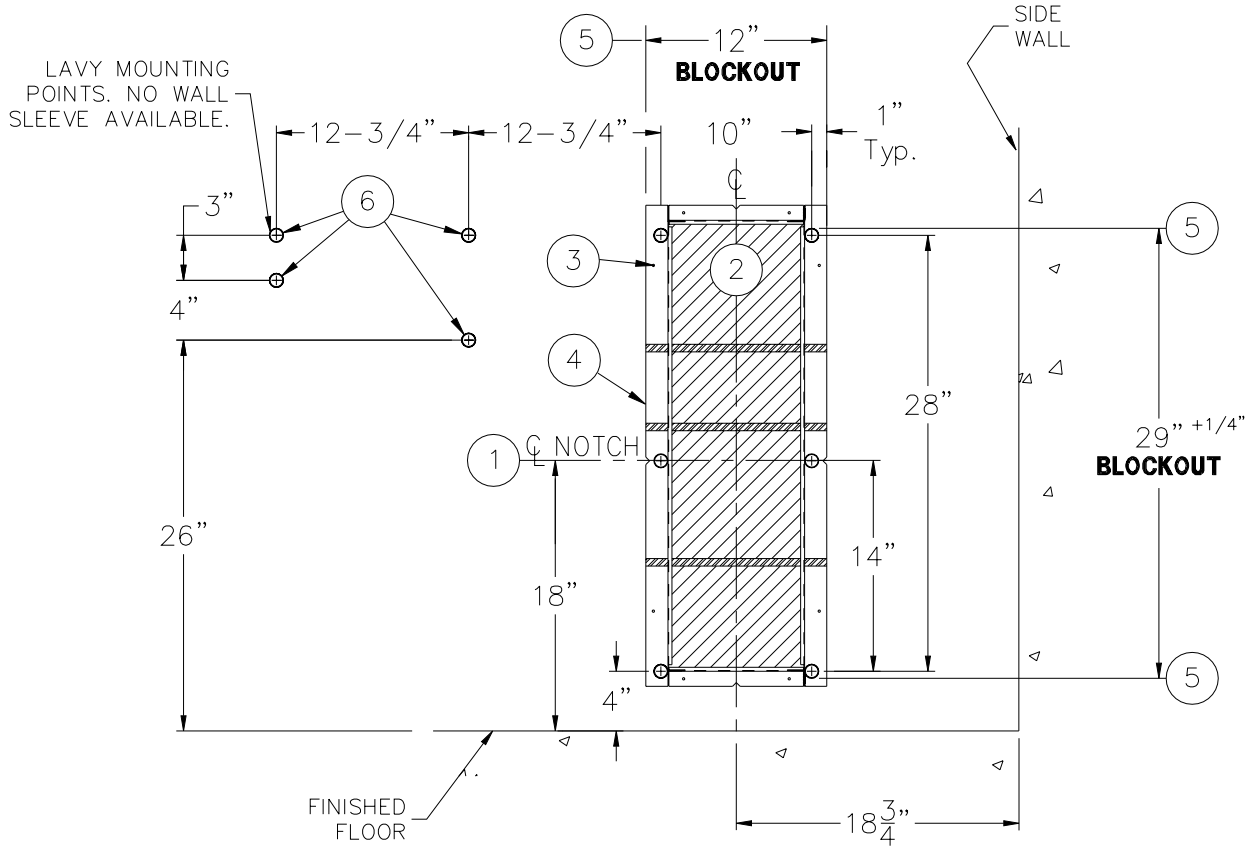


| | | |
|---|---------------------------------|---------------------------------------|
| TITLE ADA COMPLIANT LAV-TOILET FRONT ACCESS COMBY ANCHORING ~ 1437-LO/RO-FA | | |
| MANUFACTURE DATE DECEMBER 1998 TO PRESENT | DATE ISSUED 12-07-98 | DRAWING NUMBER 9925-085-001 |
| | DATE REVISED 11/21/01 | |



VIEW FROM CELL SIDE

-RO RIGHT OFFSET FIXTURE ROUGH-INS SHOWN
 -LO LEFT OFFSET FIXTURE OPPOSITE



INSTALLATION INSTRUCTIONS

WALL SLEEVES (-SW)

SLEEVES ARE INSTALLED IN FORMS (USING NAIL HOLES ③ PROVIDED) OR GROUTED INTO BLOCK WALLS, BECOMING A PERMANENT PART OF THE WALL.

NOTE: FOR POURED WALL CONSTRUCTION, TEMPORARY BRACING SHOULD BE INSTALLED WITHIN SLEEVE OPENING TO PREVENT DEFORMATION TO SLEEVE WHICH MAY OCCUR DURING POUR. DO NOT POUR CONCRETE DIRECTLY ON TOP OF WALL SLEEVE.

- A- INSTALL SLEEVE WITH FLANGE ④ ON CHASE SIDE OF WALL.
- B- TOP AND BOTTOM NOTCHES TO BE LOCATED AT VERTICAL CENTERLINE ② OF SLEEVE.
- C- SIDE NOTCHES ① TO BE LOCATED AT 18" ABOVE THE FINISHED CELL SIDE FLOOR (INTEGRAL TOILET SEAT HEIGHT).
- D- WHEN SLEEVES ARE NOT AVAILABLE USE BLOCKOUT DIMENSIONS SHOWN ⑤.
- E- WALL ANCHORS PROVIDED BY INSTALLER AT LOCATIONS ⑥.

ACORN ENGINEERING COMPANY
 P.O. BOX 3527 INDUSTRY, CA. 91744
 (626) 336-4561 FAX (626) 961-2200

TITLE **-SW WALL SLEEVE - CAT. #1437-LO/RO-FA**

MANUFACTURE DATE

DECEMBER 1998
TO PRESENT

DATE ISSUED

12/16/98

DATE REVISED

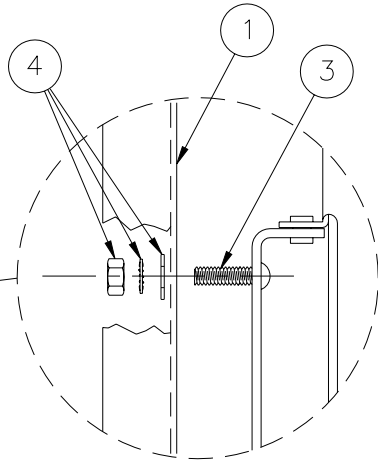
05/17/01

DRAWING NUMBER

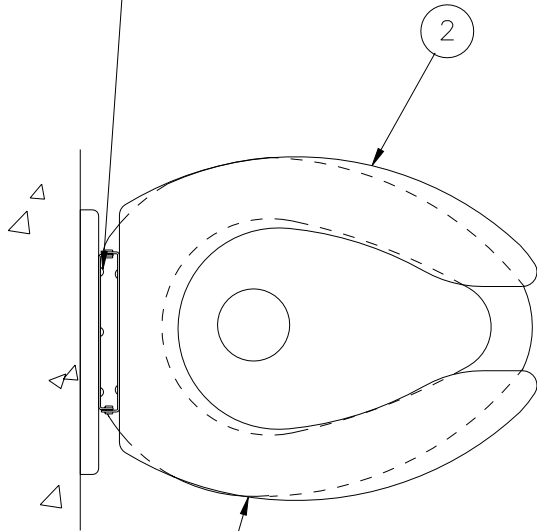
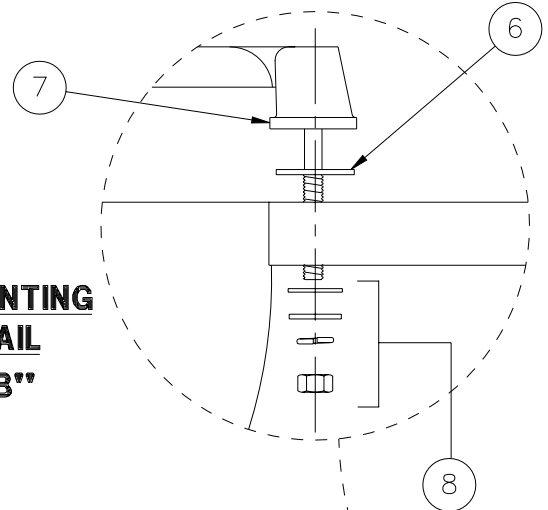
9925-097-001



**MOUNTING
DETAIL
"A-A"**

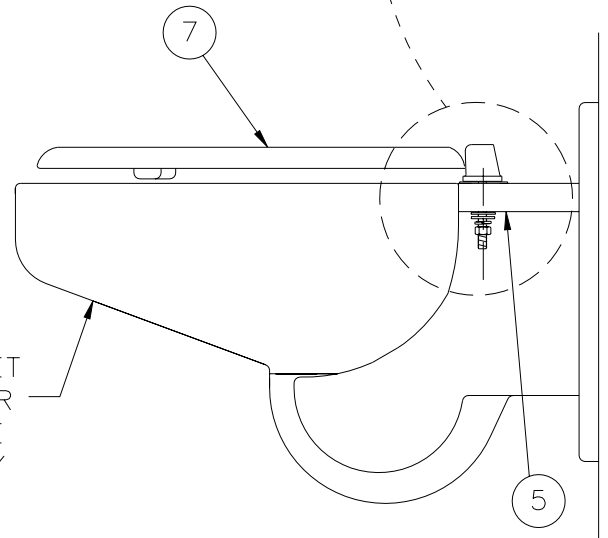


**MOUNTING
DETAIL
"B-B"**



1679 TOILET
SHOWN FOR
REFERENCE
ONLY

1675 TOILET
SHOWN FOR
REFERENCE
ONLY



**INSTALLATION INSTRUCTIONS-COMBY AND 1679 TOILET
PRIOR TO MOUNTING FIXTURE ON WALL:**

- A- LOCATE HINGED SEAT MOUNTING HOLES ON FIXTURE ①.
- B- POSITION HINGED SEAT ② AGAINST UNIT ① BY INSERTING SCREWS ③ INTO MOUNTING HOLES.
- C- ASSEMBLE NUT, WASHER AND LOCK-WASHER ④ AS SHOWN IN MOUNTING DETAIL "A-A".

**INSTALLATION INSTRUCTIONS-TOILETS
PRIOR TO MOUNTING FIXTURE ON WALL:**

- A- LOCATE HINGED SEAT MOUNTING HOLES IN FIXTURE ⑤.
- B- INSERT WASHERS ⑥ BETWEEN TOP OF TOILET AND HINGE SEAT ⑦.
- C- POSITION HINGED SEAT ⑦ ON TOP OF UNIT.
- D- ASSEMBLE HARDWARE ⑧ AS SHOWN IN MOUNTING DETAIL "B-B"



ACORN ENGINEERING COMPANY
P.O. BOX 3527 INDUSTRY, CA. 91744
(626) 336-4561 FAX (626) 961-2200

TITLE **-HS HINGED SEAT OPTION INSTALLATION DETAIL - COMBYS AND TOILETS**

MANUFACTURE DATE
FEBRUARY 1999
TO PRESENT

DATE ISSUED
02/22/99
DATE REVISED
03/26/01

DRAWING NUMBER
9925-048-001