

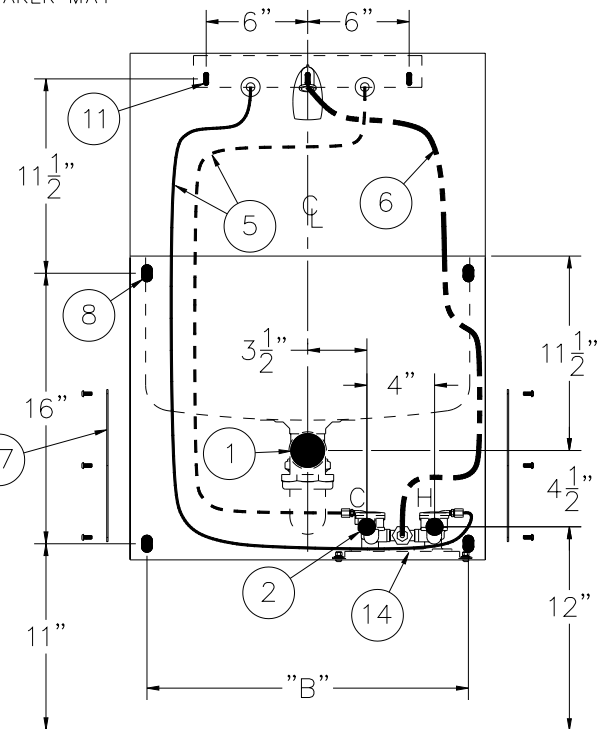
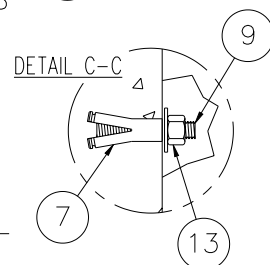
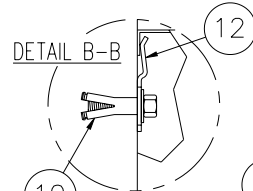
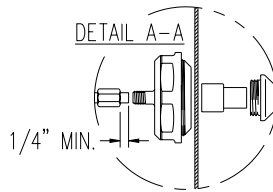
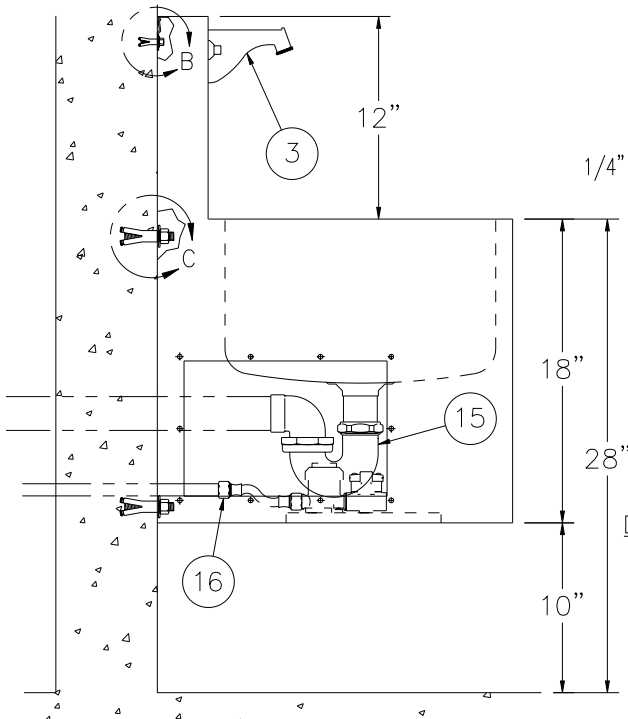
WARNING:

MAXIMUM WORKING WATER PRESSURE IS 100PSI; TEMPERATURE IS 130°F. OUTLET TEMPERATURE IS RECOMMENDED AT A MAXIMUM OF 105°F. PRIOR TO INSTALLATION, SUPPLY LINES MUST BE FLUSHED OF ALL FOREIGN MATERIAL. VALVE MUST BE DRAINED PRIOR TO BEING SUBJECTED TO FREEZING TEMPERATURES.

CAT. NO.	DIM. "A"	DIM. "B"
1640-1-FA	21"	19"
1642-1-FA	24"	22"

REFERENCE DRAWINGS	
-4 VALVE BODY (HOT & COLD)	9955-005-003
-3 VALVE BODY (SINGLE TEMP)	9955-006-003
FIXTURE TRIM (HOT & COLD)	9957-050-001
FIXTURE TRIM (SINGLE TEMP.)	9957-051-001
-M METERING SERVOMOTOR	9955-000-002
NON-METERING SERVOMOTOR	9955-001-002
CHECKSTOP/STRAINER	9956-040-003
HARDWARE PACKAGE	9957-900-001

NOTE: INSTALLATION INSTRUCTIONS FOR OPTION -VB VACUUM BREAKER MAY DIFFER, CONTACT FACTORY.



INSTALLATION INSTRUCTIONS:

- A-ROUGH-IN FOR FIXTURE WASTE OUTLET (1) REMOVABLE P-TRAP 2" NCT & WATER SUPPLY STUB-OUTS (2) 1/2" NPT.
- B-PRIOR TO FIXTURE INSTALLATION, REMOVE ACCESS PANELS (17), MOUNT SPOUT (3) AND PUSHBUTTONS (4), AS INDICATED.
- C-CONNECT 1/8" O.D. POLYETHYLENE AIR LINES (5) FROM PUSHBUTTONS (4) TO VALVE (14) SERVOMOTOR HAND TIGHT USING FERRULE NUTS PROVIDED. SEE DETAIL A-A.
- D-CONNECT 1/4" O.D. POLYETHYLENE WATER LINE (6) FROM SPOUT (3) TO VALVE (14) COMPRESSION NUT WATERTIGHT WITH FERRULE NUTS PROVIDED.
- E-INSTALL 1/2" WALL ANCHORS (7) BY OTHERS AT MOUNTING POINTS (8). SECURE (4) 1/2"-13 UNC STUDS (9) INTO WALL ANCHORS. [FOR UNITS WITH OPTIONAL -SW WALL SLEEVES, SECURE 1/2"-13 UNC STUDS TO SLEEVE ANCHOR TAPPINGS.]

VIEW FROM FIXTURE SIDE

- F-INSTALL 1/4" WALL ANCHORS (10) BY OTHERS AT MOUNTING POINTS (11). MOUNT S-CLIP (12) USING (3) 1/4"-20 UNC BOLTS BY OTHERS.
- G-PLACE FIXTURE AGAINST WALL WITH MOUNTING HOLES OVER 1/2" STUDS (9), AND BACKSPASH TOP OVER S-CLIP (12). THROUGH THE ACCESS OPENINGS, SECURE FIXTURE WITH NUTS AND WASHERS (13).
- H-MAKE-UP WASTE CONNECTION WITH 2" NCT-DWV REMOVABLE P-TRAP (15).
- I- AFTER THOROUGHLY FLUSHING THE SUPPLY LINE, THREAD FLEX CONNECTOR HOSES (16) (1/2" NPS FEMALE) FROM VALVE (14) INLETS TO SUPPLY STUB-OUTS (2). (NOTE: SUPPLY INLET CONNECTIONS WILL ACCOMODATE 1/2" NPT MALE ADAPTER.)
- J- REINSTALL ACCESS PANELS (17).



ACORN ENGINEERING COMPANY
P.O. BOX 3527 INDUSTRY, CA. 91744
(626) 336-4561 FAX (626) 961-2200

TITLE		
FRONT-ACCESS SERVICE SINK CAT.* 1640-1-FA / 1642-1-FA		
MANUFACTURE DATE	DATE ISSUED	DRAWING NUMBER
MARCH 1987	7/18/97	9925-355-001
TO PRESENT	DATE REVISED	