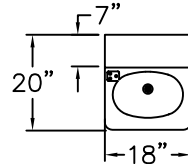
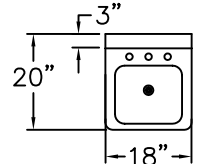


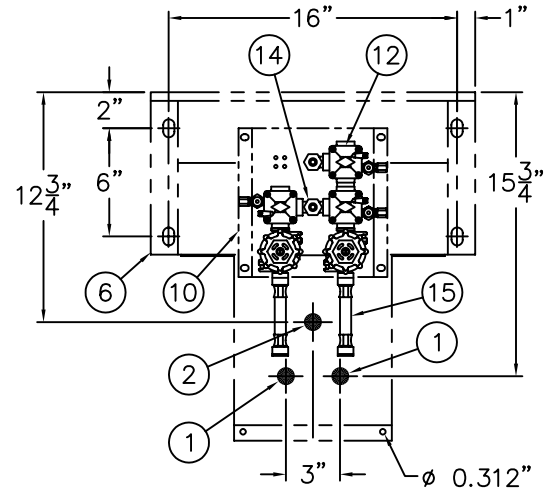
REFERENCE DRAWINGS	
VALVE BODY -HOT & COLD	9955-005-003
VALVE BODY -SINGLE TEMP	9955-006-003
CHECKSTOP	9956-040-003
FIXTURE TRIM -HOT & COLD	9957-050-001
FIXTURE TRIM -SINGLE TEMP	9957-051-001
SERVOMOTOR -METERING	9955-000-002
SERVOMOTOR -NON-METERING	9955-001-002
-SW WALL SLEEVE	9925-218-001



1652ADA-FA



1652FALRB-ADA



INSTALLATION INSTRUCTIONS

A- ROUGH-IN FOR THE FOLLOWING CONNECTIONS:
 1/2" NPS LAVY SUPPLY CONNECTION(S) ①.
 1-1/2" OD PLAIN END WASTE OUTLET ②.

B- SECURE 1/2"-13 UNC STUDS ③ PROVIDED TO INSTALLED WALL SLEEVE ANCHOR TAPPINGS OR TO WALL ANCHORS BY OTHERS ④ INSTALLED AS INDICATED.

C- SEPARATE BOTTOM ENCLOSURE ⑤ AND POSITION FIXTURE ⑥ INTO PLACE. SECURE FIXTURE TO ANCHORING STUDS ③ WITH WASHERS ⑦ AND NUTS ⑧ PROVIDED.

D- USING BOTTOM ENCLOSURE ⑤ AS A TEMPLATE, LOCATE AND INSTALL ENCLOSURE ANCHORING HARDWARE BY OTHERS ⑨.

E- MAKE UP CONNECTION TO LAVY WASTE 1-1/2" OD PLAIN END ② (SUITABLE FOR COMPRESSION CONNECTION).

F- MOUNT OPTIONAL VALVE ASSEMBLY ⑩ TO WALL WITHIN FIXTURE.

G- CONNECT 1/8" OD POLYETHYLENE AIR LINES (NOT SHOWN) TO PUSHBUTTON(S) ⑪ AND SERVOMOTOR ⑫. HAND TIGHTEN USING FERRULE NUTS PROVIDED. NOTE: WHEN METERING VALVES ARE SPECIFIED, THE AIR LINES CONNECT DIRECTLY TO THE TIMER.

H- CONNECT 1/4" OD POLYETHYLENE WATER LINES (NOT SHOWN) TO BUBBLER ⑬ AND COMPRESSION NUT ⑭. HAND TIGHTEN: USING FERRULE NUTS PROVIDED.

I- AFTER THOROUGHLY FLUSHING THE SUPPLY LINES ① LINES. MAKE-UP SUPPLY CONNECTION(S) (1/2" NPS FEMALE). NOTE: SUPPLY INLET CONNECTION WILL ACCOMMODATE 1/2" NPT MALE ADAPTER. THREAD FLEX CONNECTOR HOSE ⑮ TO VALVE INLET AND TO SUPPLY STUB OUTS.

NOTE: RECOMMENDED WATER FLOW PRESSURE 25 PSI MINIMUM & 100 PSI MAXIMUM. MAXIMUM WORKING WATER SUPPLY TEMPERATURE IS 130° F.

WARNING: PRIOR TO MAKING INSTALLATION, SUPPLY LINES MUST BE FLUSHED OF ALL FOREIGN MATERIAL SUCH AS PIPE DOPE, CHIPS, SOLDER, ETC. VALVE MUST BE DRAINED PRIOR TO BEING SUBJECTED TO FREEZING TEMPERATURES. MAXIMUM RECOMMENDED OUTLET WATER TEMPERATURE IS 105° F.

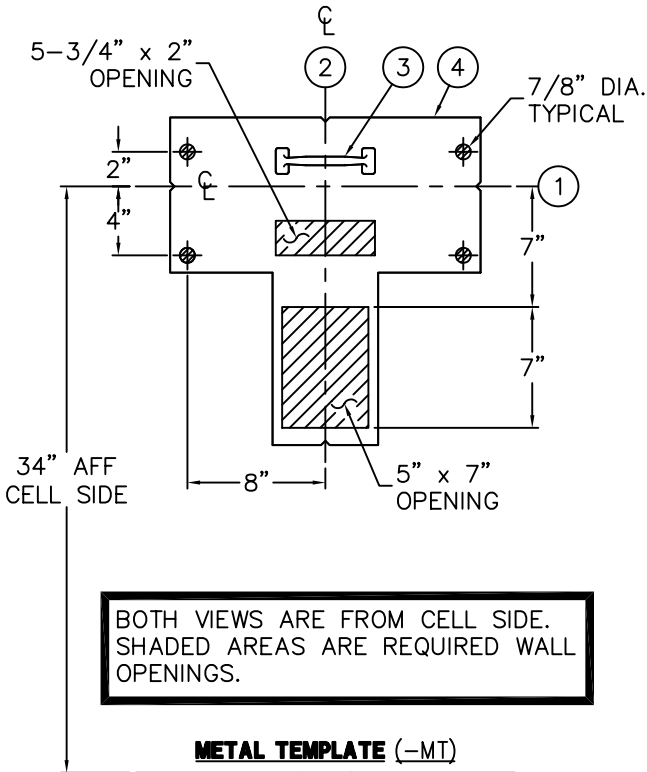
ACORN ENGINEERING COMPANY
 P.O. BOX 3527 INDUSTRY, CA. 91744
 (626) 336-4561 FAX (626) 961-2200

TITLE **18" WIDE FRONT ACCESS HANDICAPPED LAVY (*1652FA & *1652FA-LRB)**

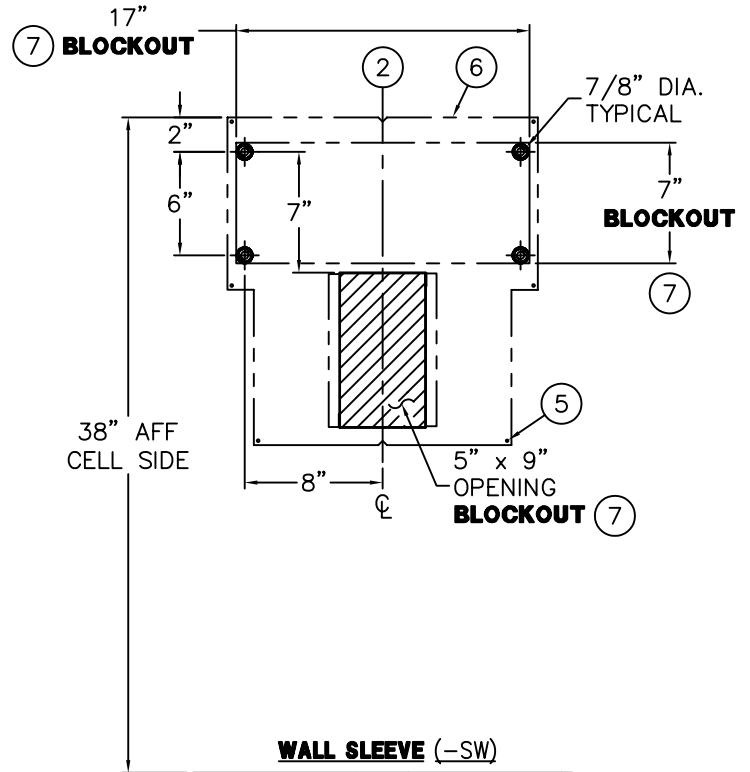
MANUFACTURE DATE
AUGUST, 2003
TO PRESENT

DATE ISSUED
03/26/07
 DATE REVISED
03/29/07

DRAWING NUMBER
9925-219-003



BOTH VIEWS ARE FROM CELL SIDE. SHADED AREAS ARE REQUIRED WALL OPENINGS.



INSTALLATION INSTRUCTIONS:

-MT METAL TEMPLATES

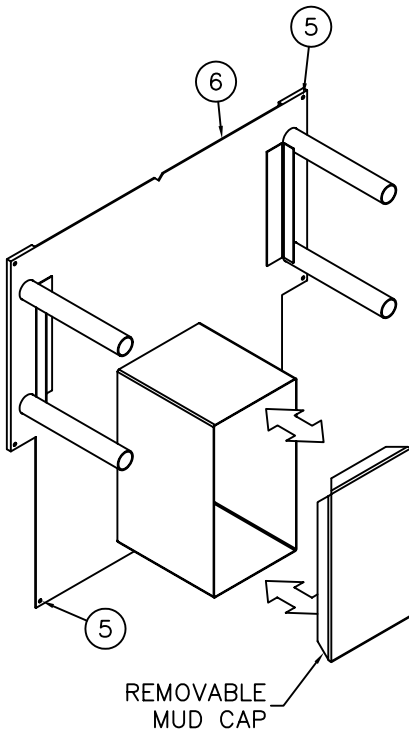
- A- METAL TEMPLATES ARE USED TO LAYOUT REQUIRED WALL OPENINGS FOR SUBSEQUENT FLAME CUTTING OR CORE DRILLING.
- B- STRIKE A HORIZONTAL CHALK LINE ON THE WALL 34" ABOVE FINISHED FLOOR. THIS WILL LOCATE CENTERLINE FOR HORIZONTAL NOTCHES ① ON THE TEMPLATE.
- C- STRIKE A VERTICAL CHALK LINE ON THE WALL TO INDICATE THE CENTERLINE OF FIXTURE. THIS WILL LOCATE THE VERTICAL NOTCHES ② ON THE TEMPLATE.
- D- USING HANDLE ③ ON TEMPLATE ④. PLACE TEMPLATE AGAINST THE WALL. ALIGN NOTCHES ON CHALK LINES & MARK FOR WALL OPENINGS.

-SW WALL SLEEVES

WALL SLEEVES ARE INSTALLED IN FORMS USING NAIL HOLES ⑤ PROVIDED OR GROUTED INTO BLOCK OR CEMENT WALLS BECOMING A PERMANENT PART OF THE WALL.

NOTE: FOR POURED WALL CONSTRUCTION, TEMPORARY BRACING SHOULD BE INSTALLED WITHIN SLEEVE OPENING TO PREVENT DEFORMATION TO SLEEVE WHICH MAY OCCUR DURING POUR. DO NOT POUR CONCRETE DIRECTLY ON TOP OF WALL SLEEVE.

- A- INSTALL SLEEVE WITH FLANGE ⑥ ON CHASE SIDE OF WALL.
- B- POSITION AND ALIGN TOP AND BOTTOM NOTCHES ② WITH VERTICAL CENTERLINE OF FIXTURE LOCATION.
- C- TOP OF FLANGE ⑥ TO BE LOCATED AT 38" ABOVE THE FINISHED FLOOR CELL SIDE FLOOR (LAVY BACKSPASH HEIGHT).
- D- WHEN SLEEVES ARE NOT AVAILABLE USE BLOCKOUT ⑦ DIMENSIONS SHOWN.



ACORN ENGINEERING COMPANY
P.O. BOX 3527 INDUSTRY, CA. 91744
(626) 336-4561 FAX (626) 961-2200

TITLE **-SW WALL SLEEVE & -MT METAL TEMPLATE -CAT. #1652FA & #1652FALRB**

MANUFACTURE DATE

MAY 1996
TO PRESENT

DATE ISSUED

05/22/96

DATE REVISED

04/19/07

DRAWING NUMBER

9925-218-001