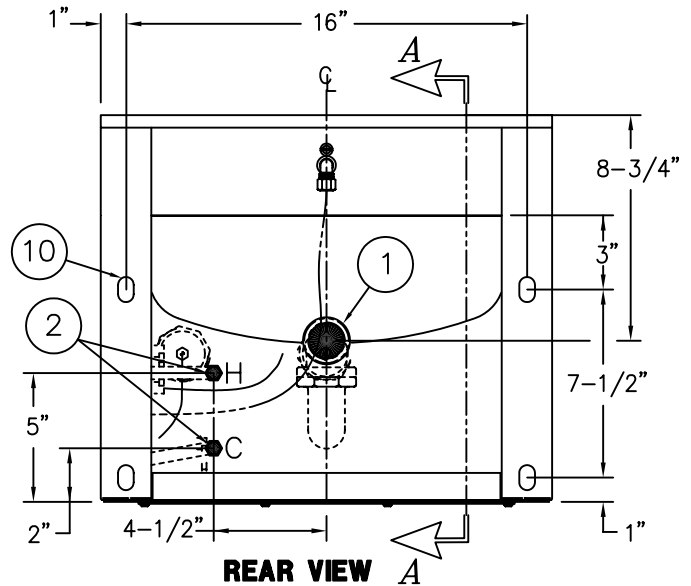
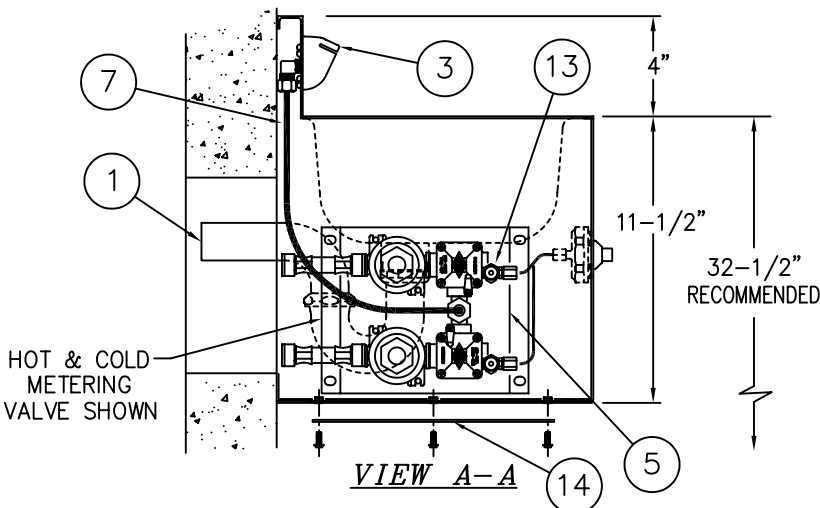


| REFERENCE DRAWINGS | |
|-----------------------------|--------------|
| -4 VALVE BODY (HOT & COLD) | 9955-005-003 |
| -3 VALVE BODY (SINGLE TEMP) | 9955-006-003 |
| FIXTURE TRIM (HOT & COLD) | 9957-050-001 |
| FIXTURE TRIM (SINGLE TEMP.) | 9957-051-001 |
| -M METERING SERVOMOTOR | 9955-000-002 |
| NON-METERING SERVOMOTOR | 9955-001-002 |
| STOP | 9956-040-003 |
| HARDWARE PACKAGE | 9957-900-001 |
| -SW WALL SLEEVE | 9925-217-001 |
| OPTIONAL VALVES: | |
| -MVC1 S/T TIME-TROL | 9905-201-003 |
| -MVC2 H&C TIME-TROL | 9905-200-003 |
| -EVS1 S/T MASTER-TROL | 9905-311-002 |
| -EVS2 H&C MASTER-TROL | 9905-310-002 |



INSTALLATION INSTRUCTIONS:

- A-ROUGH-IN FOR FIXTURE WASTE OUTLET ①:
· 1-1/2" O.D. PLAIN END REMOVABLE P-TRAP PROVIDED STANDARD.
- B-ROUGH-IN WATER SUPPLY STUB-OUT ② 1/2" NPT.
- C-PRIOR TO FIXTURE INSTALLATION, REMOVE THE ACCESS PANEL ⑭, MOUNT BUBBLER ③ AND PUSHBUTTONS ④, AS INDICATED.
- D-CONNECT 1/8" O.D. POLYETHYLENE AIR LINES ⑥ TO PUSHBUTTONS ④ AND VALVE ⑤ SERVOMOTOR HAND TIGHT USING FERRULE NUTS PROVIDED. SEE DETAIL A-A.
- E-CONNECT 1/4" O.D. POLYETHYLENE WATER LINE ⑦ TO BUBBLER ③ AND VALVE ⑤ COMPRESSION NUT HAND TIGHT USING FERRULE NUTS PROVIDED.

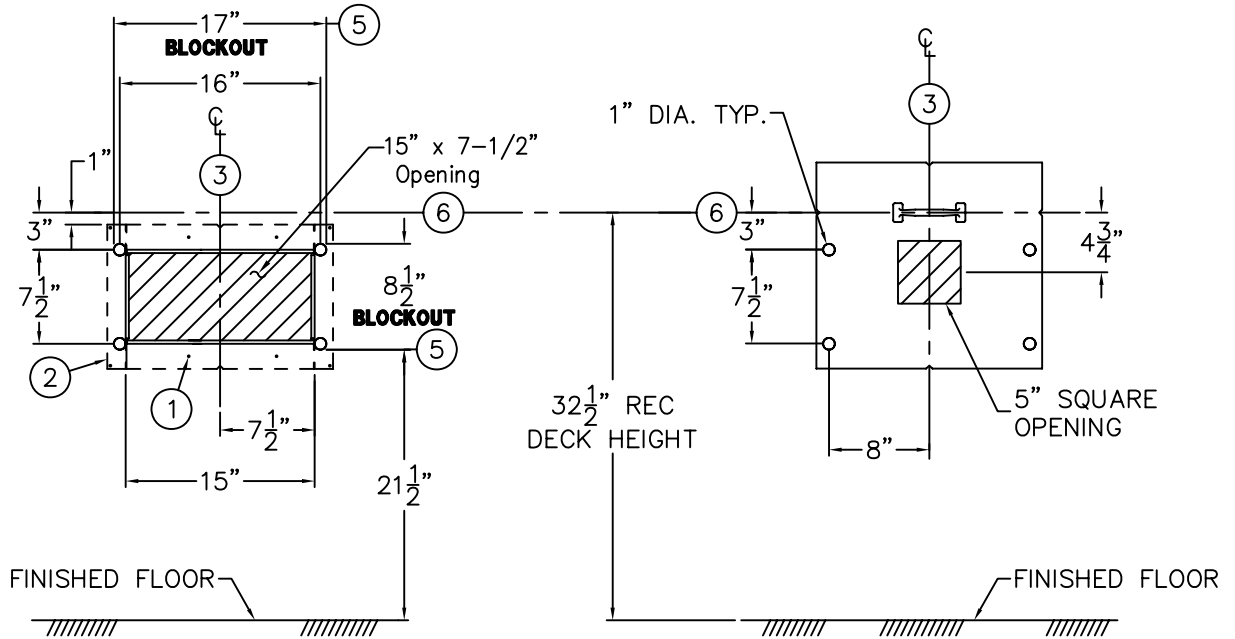
- F-INSTALL 1/2" WALL ANCHORS ⑧ BY OTHERS. SECURE (4) 1/2"-13 UNC STUDS ⑨ INTO WALL ANCHORS. [FOR UNITS WITH OPTIONAL -SW WALL SLEEVES, SECURE WITH 1/2"-13 UNC STUDS TO SLEEVE ANCHOR TAPPINGS.]
- G-PLACE FIXTURE AGAINST WALL WITH MOUNTING HOLES ⑩ OVER 1/2" STUDS ⑨. THROUGH THE ACCESS OPENING, SECURE FIXTURE WITH NUTS AND WASHERS ⑪.
- H-MAKE-UP LAVY WASTE CONNECTION - 1-1/2" O.D. PLAIN END (SUITABLE FOR A COMPRESSION CONNECTION).
- I- AFTER THOROUGHLY FLUSHING THE SUPPLY LINE, THREAD FLEX CONNECTOR HOSES ⑫ (1/2" NPS FEMALE) TO VALVE ⑤ INLETS AND TO SUPPLY STUB-OUTS ②. (NOTE: SUPPLY INLET CONNECTIONS WILL ACCOMMODATE 1/2" NPT MALE ADAPTER.)
- J- FOR UNITS WITH -M METERING, TEST VALVE AND ADJUST TIMER ⑬ FOR DESIRED TIMING CYCLE.
- K-REINSTALL ACCESS PANEL ⑭.

NOTE: WATER FLOW PRESSURE 25/100 PSI MIN/MAX. RECOMMENDED OUTLET TEMPERATURE 105°F MAX. FLUSH ALL SUPPLY LINES THOROUGHLY BEFORE CONNECTING. DRAIN VALVE PRIOR TO FREEZING TEMPERATURES.

ACORN ENGINEERING COMPANY
P.O. BOX 3527 INDUSTRY, CA. 91744
(626) 336-4561 FAX (626) 961-2200

TITLE
18" RECTANGULAR LAVATORY w/OVAL BOWL - FRONT ACCESS CAT. #1655-FA

| | | |
|-----------------------|-----------------|---------------------|
| MANUFACTURE DATE | DATE ISSUED | DRAWING NUMBER |
| APRIL 30, 1998 | 3/31/98 | |
| TO PRESENT | DATE REVISED | 9925-306-002 |
| | 03/11/02 | |



WALL SLEEVE (-SW) BOTH VIEWS ARE FROM CELL SIDE METAL TEMPLATE (-MT)

RIGHT HAND FIXTURE ROUGH-INS SHOWN, LEFT HAND FIXTURE OPPOSITE

SHADED AREAS ARE REQUIRED WALL OPENINGS

WALL SLEEVE

SLEEVES ARE INSTALLED IN FORMS (USING NAIL HOLES ① PROVIDED) OR GROUTED INTO BLOCK WALLS, BECOMING A PERMANENT PART OF WALL.

- A. INSTALL SLEEVE WITH FLANGE ② ON CHASE SIDE OF WALL.
- B. LOCATE TOP AND BOTTOM NOTCHES AT VERTICAL CENTERLINE ③ OF PLUMBING FIXTURE.
- C. LOCATE TOP OF SLEEVE ④ AT DIMENSION SHOWN, MEASURED FROM THE FINISHED FLOOR ON CELL (FIXTURE) SIDE.

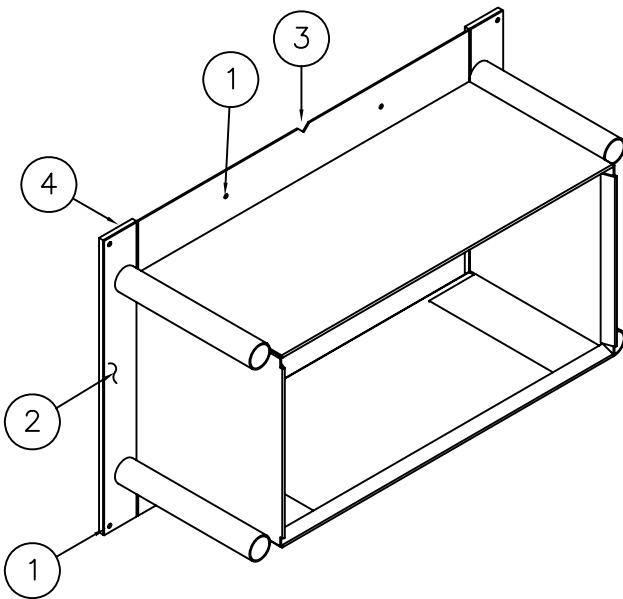
NOTES:

- 1. FOR POURED WALL CONSTRUCTION, TEMPORARY BRACING SHOULD BE INSTALLED WITHIN SLEEVE OPENING TO PREVENT DEFORMATION TO SLEEVE WHICH MAY OCCUR DURING POUR. DO NOT POUR CONCRETE DIRECTLY ON TOP OF WALL SLEEVE.
- 2. WHEN SLEEVES ARE NOT AVAILABLE BLOCKOUT FOR SLEEVE OPENING IN WALL PER DIMENSIONS SHOWN ⑤.

METAL TEMPLATES (-MT)

TEMPLATES ARE USED TO LAYOUT REQUIRED WALL OPENINGS FOR SUBSEQUENT FLAME CUTTING OR CORE DRILLING.

- A. STRIKE A HORIZONTAL CHALKLINE ⑥ ON THE WALL AT DIMENSION SHOWN, MEASURED FROM THE FINISHED FLOOR ON CELL (FIXTURE) SIDE. THIS WILL LOCATE CENTERLINE FOR HORIZONTAL NOTCHES ON TEMPLATE.
- B. STRIKE A VERTICAL CHALKLINE ③ ON THE WALL TO INDICATE CENTERLINE OF FIXTURE. THIS WILL LOCATE CENTERLINE FOR VERTICAL NOTCHES ON TEMPLATE.
- C. PLACE TEMPLATE AGAINST WALL. LOCATE NOTCHES ALONG CHALKLINES. MARK WALL FOR REQUIRED OPENING.



WALL SLEEVE (-SW)



ACORN ENGINEERING COMPANY
P.O. BOX 3527 INDUSTRY, CA. 91744
(626) 336-4561 FAX (626) 961-2200

| | | |
|---|---------------------------------|---------------------------------------|
| TITLE SLEEVES AND TEMPLATES *1655FA & *1656FA | | |
| MANUFACTURE DATE JANUARY 1997 TO PRESENT | DATE ISSUED 1/14/97 | DRAWING NUMBER 9925-217-001 |
| | DATE REVISED 02/22/08 | |