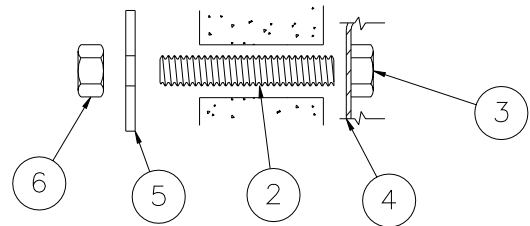
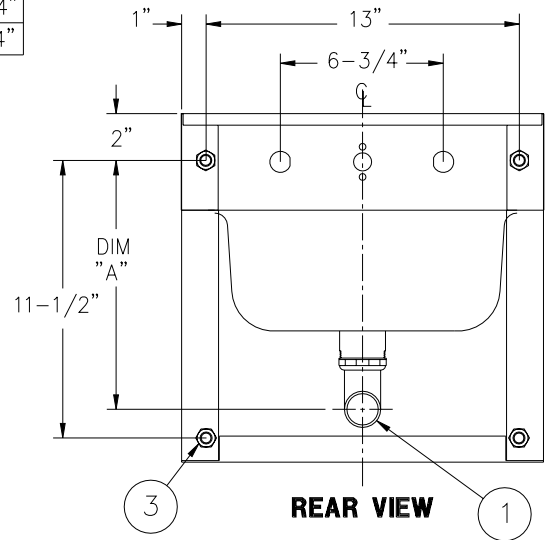
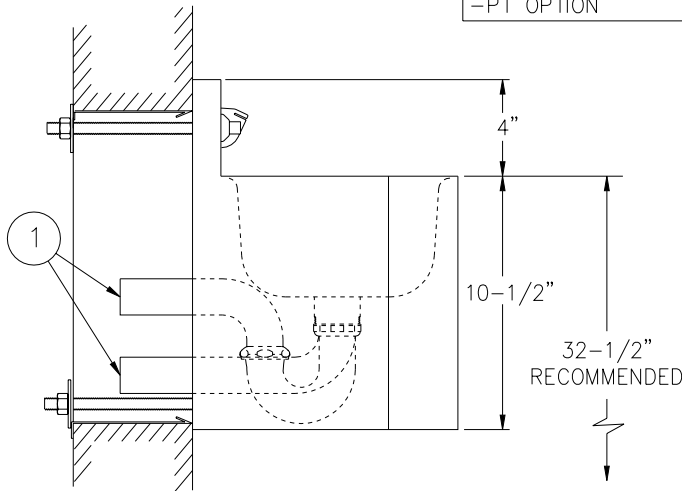


REFERENCE DRAWINGS	
HARDWARE PACKAGE	9957-900-001
-SW SLEEVE / -MT TEMPLATE	9925-214-001
<b>VALVES:</b>	
-4 AIR-CONTROL (HOT & COLD)	9905-000-003
-3 AIR-CONTROL (SINGLE TEMP.)	9905-001-003
-MVC1 S/T TIME-TROL	9905-201-003
-MVC2 H&C TIME-TROL	9905-200-003
-EVS1 S/T MASTER-TROL	9905-311-002
-EVS2 H&C MASTER-TROL	9905-310-002



**MOUNTING DETAIL**

WASTE OUTLET	DIM "A"
STANDARD	10-1/4"
-PT OPTION	6-3/4"



**REAR VIEW**

**INSTALLATION INSTRUCTIONS:**

A-ROUGH-IN FOR FIXTURE WASTE OUTLET ①:

- 1-1/2" O.D. PLAIN END PROVIDED STANDARD & FOR -PT.
- 1-1/4" NPT FEMALE FOR -ELS/-PTS WASTE OPTIONS.
- 1-1/2" NPT FEMALE FOR -ELS/-PTS WITH -OS.

B-SEE REFERENCE DRAWING BOX FOR APPROPRIATE VALVE INSTALLATION DRAWINGS.

C-THREAD 1/2"-13 UNC STUDS ② INTO MOUNTING POINTS ③ AT REAR OF FIXTURE. STUDS ② MUST HAVE A MINIMUM 1/2" ENGAGEMENT.

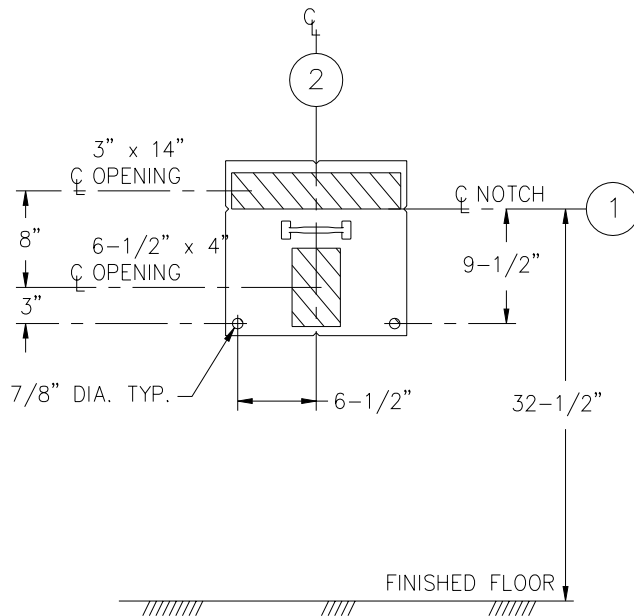
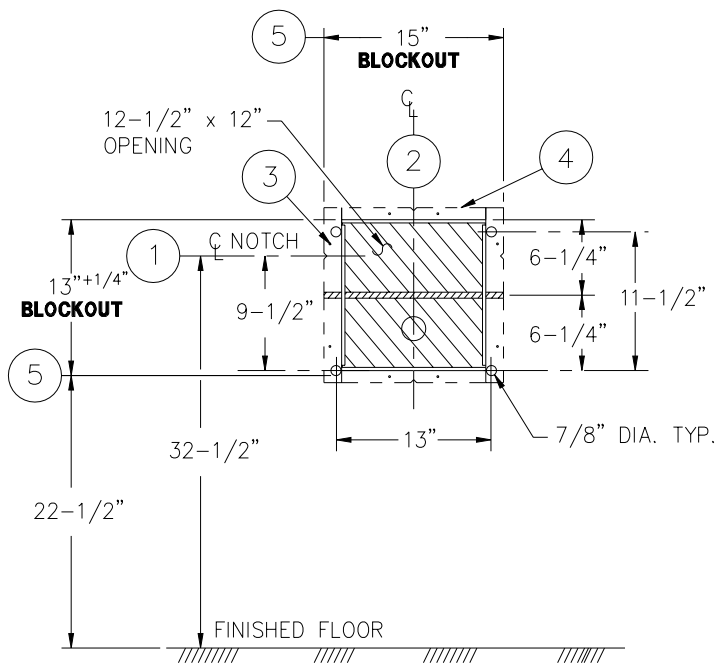
D-PLACE LAVATORY ④ UP AGAINST THE WALL, SLIDING STUDS ② THROUGH SLEEVE OR WALL OPENINGS.

E-PLACE WASHERS ⑤ (OR PLATE) AND NUTS ⑥ ONTO STUDS ②. TIGHTEN TO 60 FT/LBS.

F-MAKE-UP LAVY WASTE CONNECTION - 1-1/2" O.D. PLAIN END (SUITABLE FOR A COMPRESSION CONNECTION).

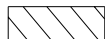
<p><b>ACORN ENGINEERING COMPANY</b> P.O. BOX 3527 INDUSTRY, CA. 91744 (626) 336-4561 FAX (626) 961-2200</p>	<p>TITLE <b>15" COMPACT LAVATORY CAT #1659</b></p>	
	<p>MANUFACTURE DATE <b>APRIL 30, 1998</b> <b>TO PRESENT</b></p>	<p>DATE ISSUED <b>3/30/98</b></p> <p>DATE REVISED <b>03/12/02</b></p>





**WALL SLEEVE (-SW)      BOTH VIEWS ARE FROM CELL SIDE      METAL TEMPLATE (-MT)**

RIGHT HAND FIXTURE ROUGH-INS SHOWN, LEFT HAND FIXTURE OPPOSITE



SHADED AREAS ARE REQUIRED WALL OPENINGS

**WALL SLEEVE**

SLEEVES ARE INSTALLED IN FORMS (USING NAIL HOLES (3) PROVIDED) OR GROUTED INTO BLOCK WALLS, BECOMING A PERMANENT PART OF WALL.

- A. INSTALL SLEEVE WITH FLANGE (4) ON CHASE SIDE OF WALL.
- B. LOCATE TOP AND BOTTOM NOTCHES AT VERTICAL CENTERLINE (2) OF PLUMBING FIXTURE.
- C. LOCATE SIDE NOTCHES (1) AT DIMENSION SHOWN, MEASURED FROM THE FINISHED FLOOR ON CELL (FIXTURE) SIDE.

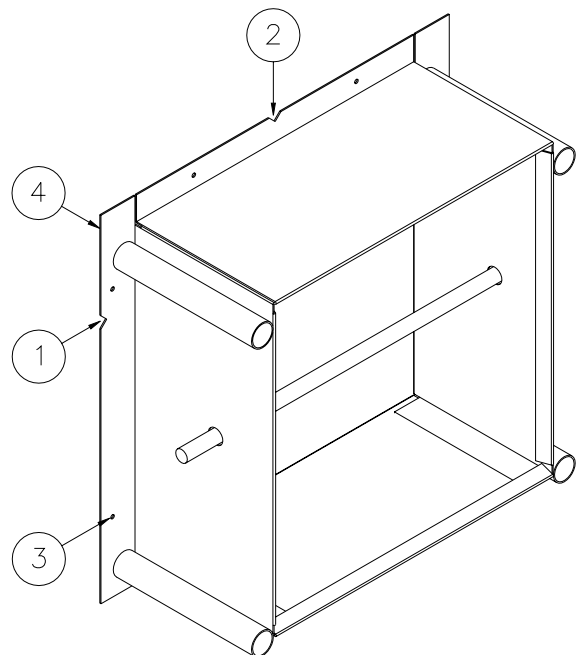
**NOTES:**

- 1. FOR POURED WALL CONSTRUCTION, TEMPORARY BRACING SHOULD BE INSTALLED WITHIN SLEEVE OPENING TO PREVENT DEFORMATION TO SLEEVE WHICH MAY OCCUR DURING POUR. DO NOT POUR CONCRETE DIRECTLY ON TOP OF WALL SLEEVE.
- 2. WHEN SLEEVES ARE NOT AVAILABLE BLOCKOUT FOR SLEEVE OPENING IN WALL PER DIMENSIONS SHOWN (5).

**METAL TEMPLATES (-MT)**

TEMPLATES ARE USED TO LAYOUT REQUIRED WALL OPENINGS FOR SUBSEQUENT FLAME CUTTING OR CORE DRILLING.

- A. STRIKE A HORIZONTAL CHALKLINE (1) ON THE WALL AT DIMENSION SHOWN, MEASURED FROM THE FINISHED FLOOR ON CELL (FIXTURE) SIDE. THIS WILL LOCATE CENTERLINE FOR HORIZONTAL NOTCHES ON TEMPLATE.
- B. STRIKE A VERTICAL CHALKLINE (2) ON THE WALL TO INDICATE CENTERLINE OF FIXTURE. THIS WILL LOCATE CENTERLINE FOR VERTICAL NOTCHES ON TEMPLATE.
- C. PLACE TEMPLATE AGAINST WALL. LOCATE NOTCHES ALONG CHALKLINES. MARK WALL FOR REQUIRED OPENING.

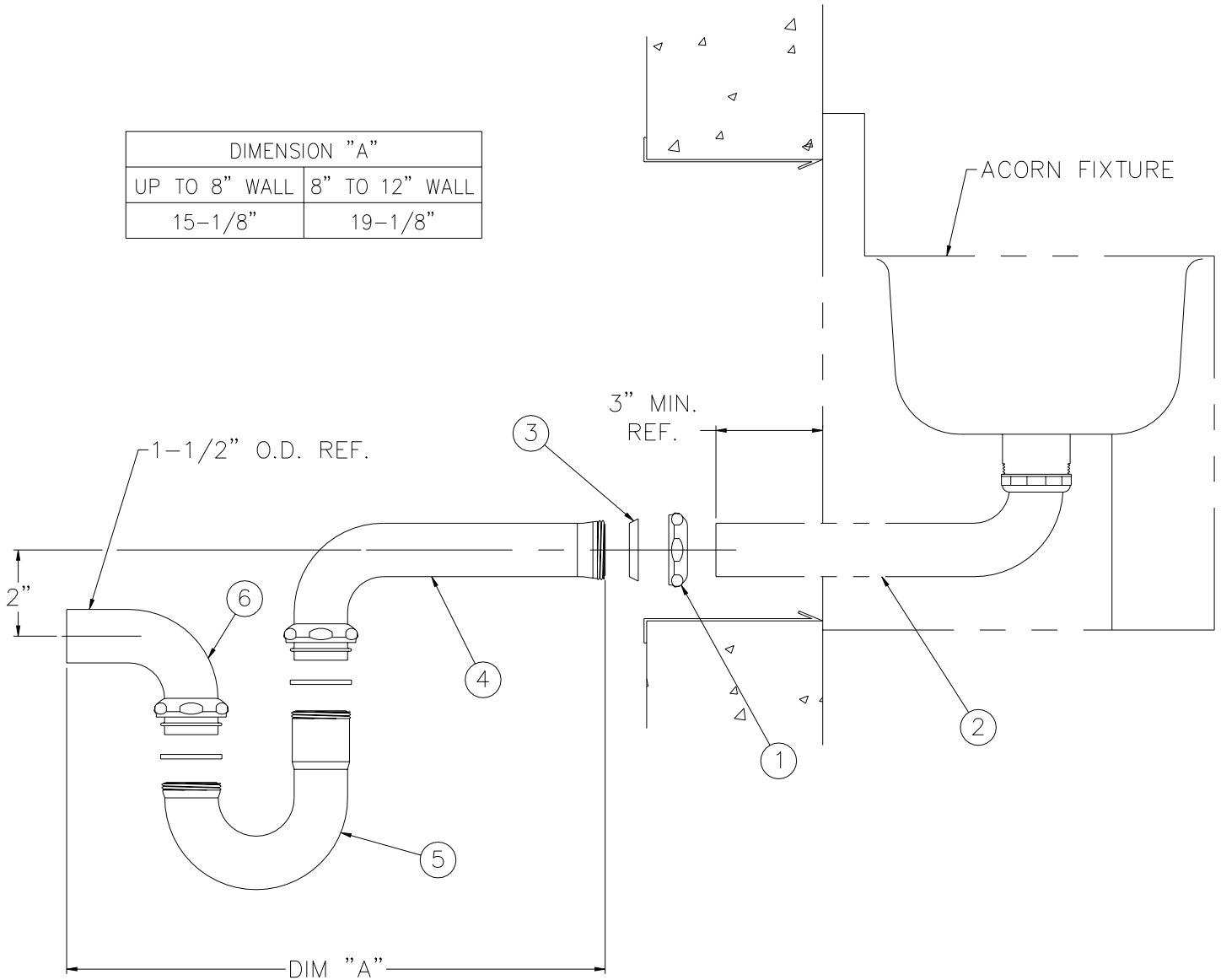


**WALL SLEEVE (-SW)**

<p><b>ACORN ENGINEERING COMPANY</b> P.O. BOX 3527 INDUSTRY, CA. 91744 (626) 336-4561 FAX (626) 961-2200</p>	<p>TITLE <b>-SW WALL SLEEVE AND -MT METAL TEMPLATE - CAT. #1659</b></p>	
	<p>MANUFACTURE DATE</p> <p><b>AUG 1975</b></p> <p><b>TO PRESENT</b></p>	<p>DATE ISSUED</p> <p><b>3-1-90</b></p> <p>DATE REVISED</p> <p><b>5/20/98</b></p>



DIMENSION "A"	
UP TO 8" WALL	8" TO 12" WALL
15-1/8"	19-1/8"



**INSTALLATION INSTRUCTIONS:**

A- AFTER INSTALLING ACORN UNIT ON FINISHED WALL, SLIP COMPRESSION NUT ① OVER 1-1/2" O.D. PLAIN END WASTE ②. USING COMPRESSION GASKET ③, AND NUT ① MAKE-UP COMPRESSION CONNECTION WITH SLIP JOINT ELBOW ④.

B- REMOVABLE TUBULAR P-TRAP ⑤ CONNECTS TO SLIP JOINT ELBOW ④ AND PLAIN END ELBOW ⑥ WITH COMPRESSION CONNECTIONS AS SHOWN.

NOTE: TUBULAR P-TRAP IS REMOVABLE IN ORDER TO ALLOW FOR WASTE CLEANOUT.

<p><b>ACORN ENGINEERING COMPANY</b> P.O. BOX 3527 INDUSTRY, CA. 91744 (626) 336-4561 FAX (626) 961-2200</p>	<p>TITLE <b>LAVATORY THRU-WALL WASTE CONNECTION w/ P-TRAP &amp; CLEANOUT CAT. # -LW1</b></p>	
	<p>MANUFACTURE DATE <b>APRIL 30, 1998</b> <b>TO PRESENT</b></p>	<p>DATE ISSUED <b>3/19/98</b></p> <p>DATE REVISED <b>4/23/98</b></p>