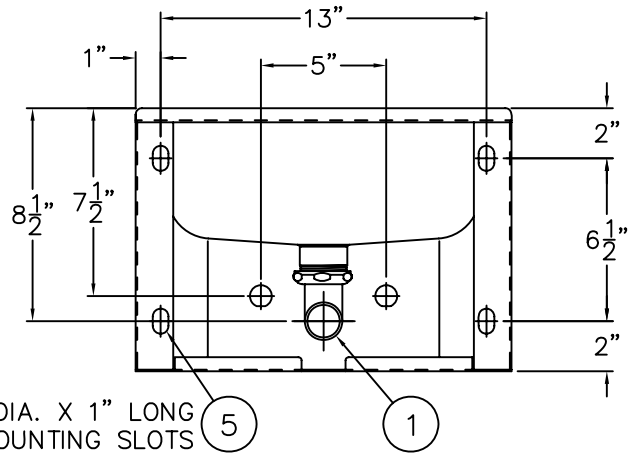
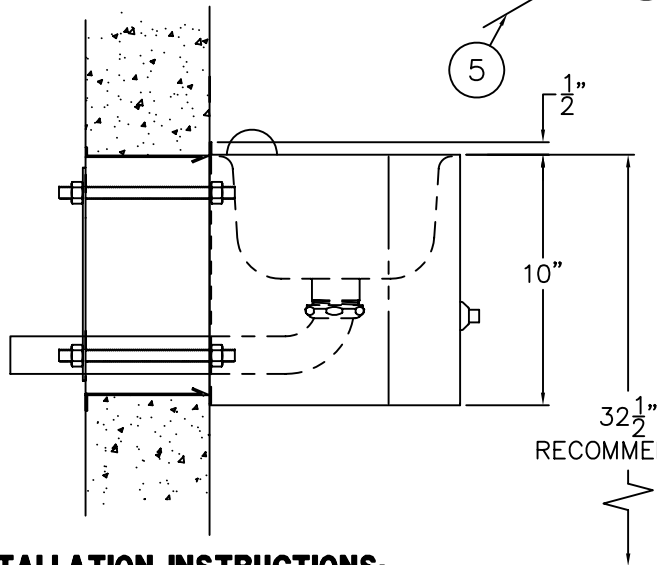


**MOUNTING DETAIL**



5/8" DIA. X 1" LONG MOUNTING SLOTS

<b>REFERENCE DRAWINGS</b>	
HARDWARE PACKAGE	9957-900-001
-SW SLEEVE / -MT TEMPLATE	9925-223-001
<b>VALVES:</b>	
-4 AIR-CONTROL (HOT & COLD)	9905-000-003
-3 AIR-CONTROL (SINGLE TEMP.)	9905-001-003
-MVC1 S/T TIME-TROL	9905-201-003
-MVC2 H&C TIME-TROL	9905-200-003
-EVS1 S/T MASTER-TROL	9905-311-002
-EVS2 H&C MASTER-TROL	9905-310-002

**INSTALLATION INSTRUCTIONS:**

A-ROUGH-IN FOR FIXTURE WASTE OUTLET:  
 • 1-1/2" O.D. PLAIN END (1) PROVIDED.

B-SEE REFERENCE DRAWING BOX FOR APPROPRIATE VALVE INSTALLATION DRAWINGS.

C-ASSEMBLE STUDS (2), WASHERS (3) AND NUTS (4) TO MOUNTING POINTS ON REAR OF FIXTURE (5). NUTS (4) MUST BE FULLY ENGAGED ON STUDS (2).

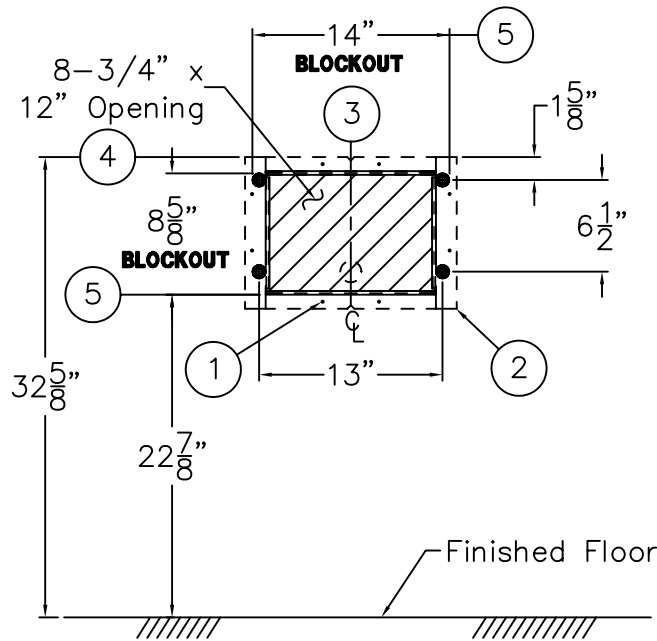
D-PLACE LAVATORY (5) UP AGAINST THE WALL, SLIDING STUDS (2) THROUGH OPTIONAL WALL SLEEVE OR WALL OPENINGS.

E-IN CHASE ANCHOR FIXTURE WITH ANCHOR PLATES (6) WASHERS (3) AND NUTS (4). TIGHTEN TO 60 FT/LBS.

F-MAKE-UP LAVY WASTE CONNECTION (1) -PLAIN END 1-1/2" OD (SUITABLE FOR A COMPRESSION CONNECTION).

ACORN ENGINEERING COMPANY  
 P.O. BOX 3527 INDUSTRY, CA. 91744  
 (626) 336-4561 FAX (626) 961-2200

TITLE <b>15" WIDE ECONO LAVATORY #1665</b>		
MANUFACTURE DATE <b>MAY 27, 2003</b> <b>TO PRESENT</b>	DATE ISSUED <b>03/22/07</b>	DRAWING NUMBER <b>9925-310-001</b>
	DATE REVISED <b>01/10/08</b>	



**WALL SLEEVE (-SW)**

**VIEW IS FROM CELL SIDE**

SHADED AREAS ARE REQUIRED WALL OPENINGS

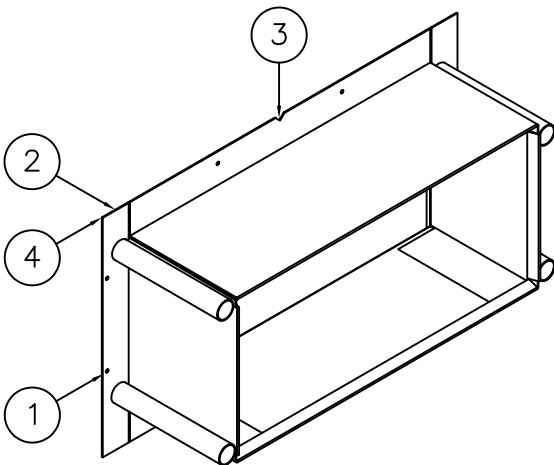
**WALL SLEEVE**

SLEEVES ARE INSTALLED IN FORMS (USING NAIL HOLES ① PROVIDED) OR GROUTED INTO BLOCK WALLS, BECOMING A PERMANENT PART OF WALL.

- A. INSTALL SLEEVE WITH FLANGE ② ON CHASE SIDE OF WALL.
- B. LOCATE TOP AND BOTTOM NOTCHES AT VERTICAL CENTERLINE ③ OF PLUMBING FIXTURE.
- C. LOCATE TOP OF SLEEVE ④ AT DIMENSION SHOWN, MEASURED FROM THE FINISHED FLOOR ON CELL (FIXTURE) SIDE.

**NOTES:**

- 1. FOR POURED WALL CONSTRUCTION, TEMPORARY BRACING SHOULD BE INSTALLED WITHIN SLEEVE OPENING TO PREVENT DEFORMATION TO SLEEVE WHICH MAY OCCUR DURING POUR. DO NOT POUR CONCRETE DIRECTLY ON TOP OF WALL SLEEVE.
- 2. WHEN SLEEVES ARE NOT AVAILABLE, BLOCKOUT FOR SLEEVE OPENING IN WALL PER DIMENSIONS SHOWN ⑤.



**WALL SLEEVE (-SW)**



ACORN ENGINEERING COMPANY  
P.O. BOX 3527 INDUSTRY, CA. 91744  
(626) 336-4561 FAX (626) 961-2200

TITLE <b>SLEEVES AND TEMPLATES (CAT. #1665)</b>		
MANUFACTURE DATE <b>JAN 2001</b>	DATE ISSUED <b>03/22/07</b>	DRAWING NUMBER <b>9925-223-001</b>
<b>TO PRESENT</b>	DATE REVISED	

